

DWG. NO. SD-35363-003

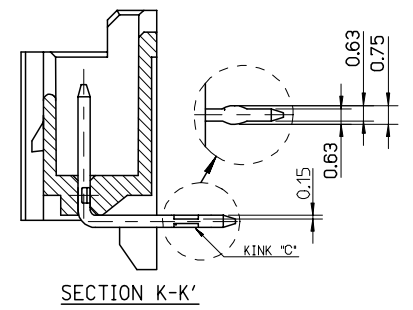
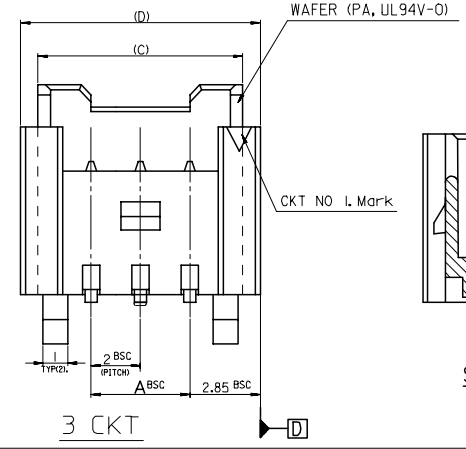
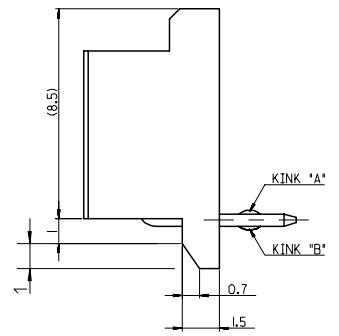
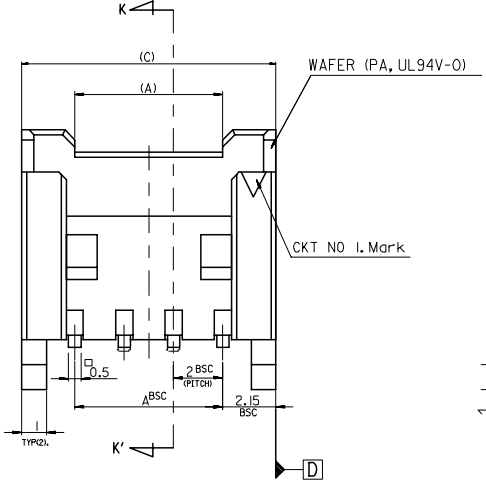
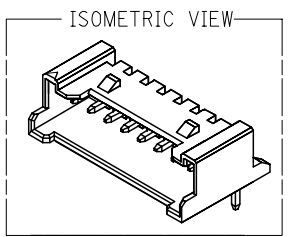
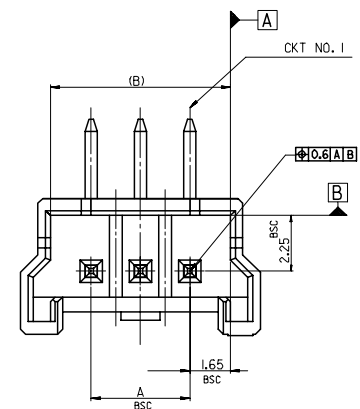
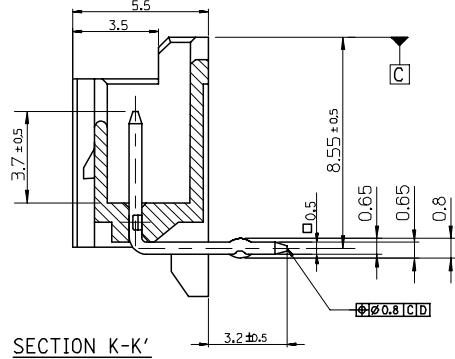
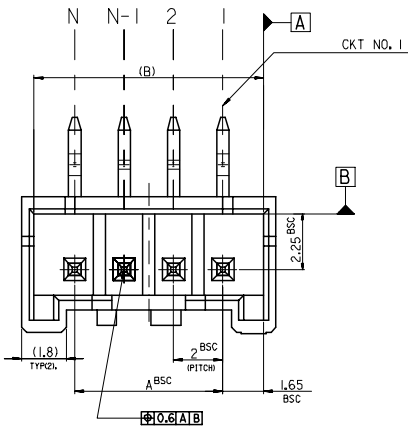
SIMILAR ITEM

PROJECT NO.

C

B

DO NOT SCALE DRAWING
DIMENSION IN METRIC



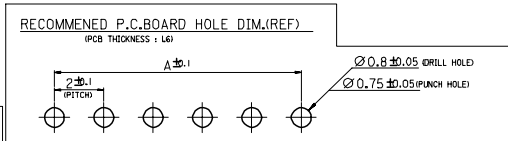
- NOTES**
- MATERIAL : WAFER : POLYAMIDE(PA), 20% GLASS FILLED, UL94V-0
PIN : BRASS
 - FINISHES :
TERMINAL: Sn 2to3 MICROMETER OVERALL
 - PRODUCT SPECIFICATION : PS-35507-003
 - MATING HOUSING : 35507-***0*
MATING TERMINAL : 50212-8000
 - KINK

LEGEND

SD-35363-***5*

CKT NO. _____

| | |
|---|---------|
| 0 | NATURAL |
| 1 | BLACK |
| 2 | RED |
| 3 | YELLOW |
| 4 | BLUE |
| 5 | GREEN |



| | | | | | | |
|-----|------|------|----|--------------|------------|-----|
| — | 16.3 | 15.3 | 12 | 353630750 | 35363-0750 | 7 |
| — | 14.3 | 13.3 | 10 | 353630650 | 35363-0650 | 6 |
| — | 10.3 | 9.3 | 6 | 353630450 | 35363-0450 | 4 |
| 9.7 | 8.3 | 7.3 | 4 | 353630350 | 35363-0350 | 3 |
| 7.7 | 6.3 | 5.3 | 2 | 353630250 | 35363-0250 | 2 |
| (D) | (C) | (B) | A | MATERIAL NO. | ENG. NO. | CKT |

| CKT NO | 1 | 2 | 3 | 4 | 5 | N-2 | N-1 | N |
|------------|---|---|---|---|---|-----|-----|---|
| 6 CKT OVER | - | A | B | - | - | B | A | - |
| 4 CKT | A | B | B | A | | | | |
| 3 CKT | A | B | A | | | | | |
| 2 CKT | C | C | | | | | | |

| | |
|-------------------|-------|
| 30 over | ±0.3 |
| 10 over 30 under | ±0.25 |
| 10 under | ±0.2 |
| ANGLE | ±3° |
| GENERAL TOLERANCE | |

| | | | | |
|-------------|-----------------------|--|----------------|---------------|
| REVISED | EC NO. K0FZ006-0110 | DRWN: Y.R.KIM 06/03/08 | CHK: Y.SOO.KIM | APPR: SH-CHOI |
| DESCRIPTION | MAJOR = CRITICAL = | | | |
| REV | B | DRAFT WHERE APPLICABLE MUST REMAIN WITHIN DIMENSIONS | | |

| | | | | | | |
|--|--|---|------------------------|---|--------|-----|
| GENERAL TOLERANCES; (UNLESS SPECIFIED) | SCALE 1:1 | DESIGN UNITS <input checked="" type="checkbox"/> mm <input type="checkbox"/> INCH | THIRD ANGLE PROJECTION | DIMENSIONS: <input type="checkbox"/> mm <input type="checkbox"/> INCH <input checked="" type="checkbox"/> mm ONLY | SHT | REV |
| 4 PLACES ±0. ± | DRAWN BY & DATE Y.R.KIM 05/04/04 | TITLE: NEW 2.0 W/B CONN WAFER ASSY (R/A) | | | | |
| 3 PLACES ±0. ± | CHECKED BY & DATE Y.SOO.KIM | MATERIAL NO. SEE NOTE | | | | |
| 2 PLACES ±0. ± | APPROVED BY & DATE C.W.LEE | DRAWING NO. SD-35363-003 | | | | |
| 1 PLACE ±0. ± | CAD FILENAME SD-35363-003.mi | SHEET NO. 1 OF 1 | | | | |
| ANGULAR: ± | THIS DRAWING CONTAINS INFORMATION THAT IS PROPRIETARY TO MOLEX INCORPORATED AND SHOULD NOT BE USED WITHOUT WRITTEN PERMISSION. | | | | | |
| | | | | | SIZE B | |

F

E

D

C

B

A

MX-A3