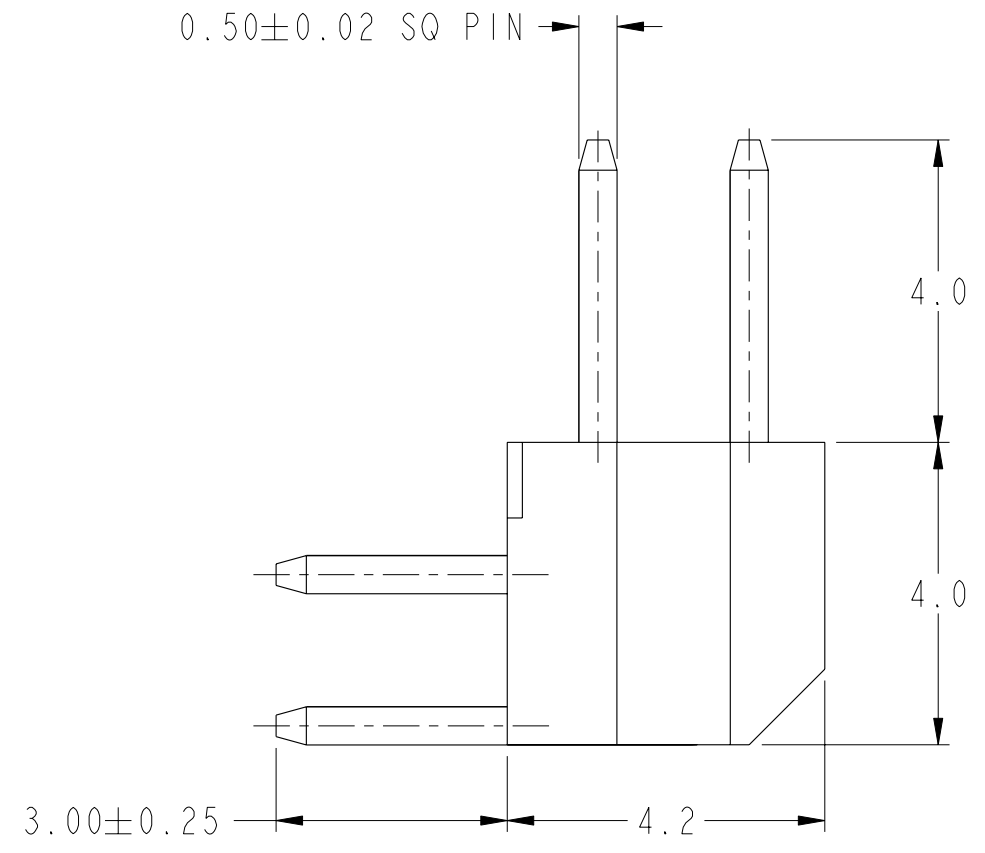


PCB THICKNESS: 1.6±0.1
RECOMMENDED MOUNTING HOLE LAYOUT



CONFIDENTIAL

www.fciconnect.com		surface - ✓ ISO 1302	tolerance std ISO 406 ISO 1101	projection MM
TOLERANCES UNLESS OTHERWISE SPECIFIED				
Dr	ML CHWA	1990-11-13	ANGULAR	x.X ±
Eng	BS LOW	1990-11-13	LINEAR	x.XX ±0.25
Chr	KH LEE	2010-02-01	0° ±3°	x.XXX ±
Appr	JOEY NG	2010-02-01	Product family	MINITEK Spec ref -
FCI			title	MINITEK II HEADER
			dwg no	86453
			Rev.	H
			catalog no	CUSTOMER sheet 1 of 2

rev	ecn no	dr	date
C	S0399	S.TAY	1990-01-16
D	S00232	CHWA	1990-09-24
E	S00285	BSL	1990-11-13
F	S05-0053	KBM	2005-02-24
G	S06-0236	KHL	2006-07-17
H	S10-0205	AK	2010-02-01
-	-	-	-

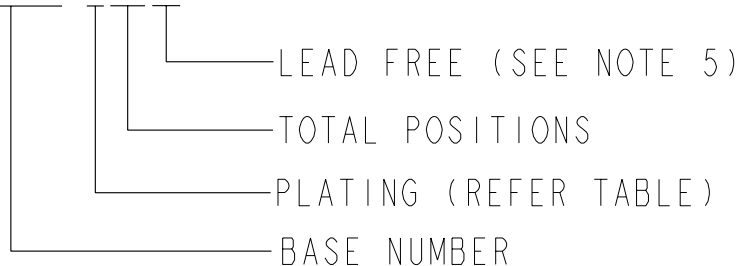


Copyright FCI.

PRODUCT NO	POS	DIM X	DIM Y
86453-X02	2 X 1	— OBSOLETED —	
X04	2 X 2	2	4
X06	2 X 3	4	6
X08	2 X 4	6	8
X10	2 X 5	8	10
X12	2 X 6	10	12
X14	2 X 7	12	14
X16	2 X 8	14	16
X18	2 X 9	16	18
X20	2 X 10	18	20
X22	2 X 11	20	22
X24	2 X 12	22	24
X26	2 X 13	24	26
X28	2 X 14	26	28
X30	2 X 15	28	30
X32	2 X 16	30	32
X34	2 X 17	32	34
X36	2 X 18	34	36
X38	2 X 19	36	38
X40	2 X 20	38	40
X42	2 X 21	40	42
X44	2 X 22	42	44
X46	2 X 23	44	46
X48	2 X 24	46	48
X50	2 X 25	48	50


PRODUCT DESCRIPTION CODE :

XXXXX-XXXLF


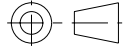



PLATING	DESCRIPTION
0	0.2µm Au
1	0.76µm Au
2	UNASSIGNED
3	0.38µm Au
4	UNASSIGNED
5	0.38µm GXT
6	0.76µm GXT

NOTES:

- MATERIAL:
BODY : GLASS FILLED NYLON UL 94V-0 BLACK
PIN : PHOSPHOR BRONZE
- TOLERANCE UNLESS OTHERWISE NOTED ±0.25
- DIM 1.0 APPLIES TO MOLDED SIDE(S) ONLY. IF SIDE(S) ARE SAW, DIM 0.5 MIN APPLIES.
- RECESS APPLIES TO MOLDED SIDE(S) ONLY.
- P/N:86453-XXXLF IS SAME AS P/N:86453-XXX. THE SUFFIX 'LF' IS ADDED JUST FOR EASY LEAD FREE IDENTIFICATION
- THE HOUSING WILL WITHSTAND EXPOSURE TO 260°C PEAK TEMPERATURE FOR 10 SECONDS IN A WAVE SOLDER APPLICATION WITH A 1.57MM MINIMUM THICK CIRCUIT BOARD.
- THIS PRODUCT MEETS EUROPEAN UNION DIRECTIVES AND OTHER COUNTRY REGULATIONS AS DESCRIBED IN GS-22-008.
- A  SYMBOL WILL BE NEXT TO ANY DIMENSION, VIEW OR NOTE WHICH HAS BEEN MODIFIED WITH THE CURRENT DRAWING REVISION.

CONFIDENTIAL

www.fciconnect.com			surface 	tolerance std	projection	MM
			ISO 1302	ISO 406 ISO 1101		←→
TOLERANCES UNLESS OTHERWISE SPECIFIED						
Dr	ML CHWA	1990-11-13	ANGULAR	LINEAR	x.X	±
Eng	BS LOW	1990-11-13			x.XX	±0.25
Chr	KH LEE	2010-02-01	0°	±3°	x.XXX	±
Appr	JOEY NG	2010-02-01	Product family		MINITEK	Spec ref -
			MINITEK II HEADER		dwg no	86453
			(2 ROWS R/A)			Rev. H
			catalog no		CUSTOMER	sheet 2 of 2