

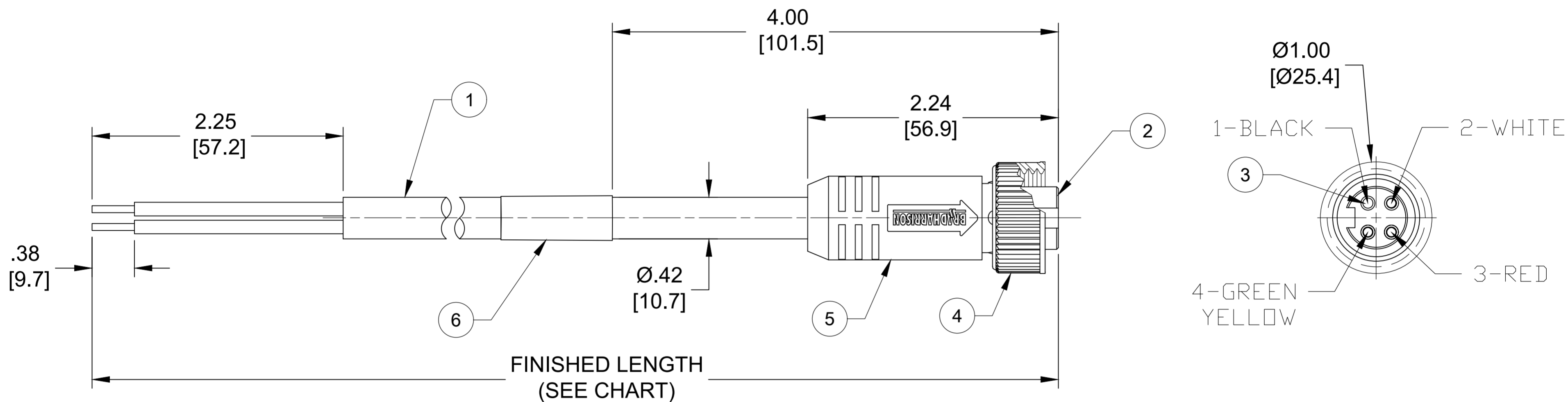
PART NO.	ENGINEERING NO.	FINISHED LENGTH
1300060725	104000A01F030	3.0FT [0.91M] (A1)
1300060728	104000A01F060	6.0FT [1.8M]
1300060744	104000A01F200	20.0FT [6.1M]
1300060784	104000A01M100	10M [32FT 10IN]

PART NUMBER LEGEND

104000A01F030

FINISHED LENGTH:

- F010= 1.0 FEET
- F100= 10.0 FEET
- M005= 0.5 METER
- M010= 1.0 METER
- M100= 10. METER



NOTES:

1. MATERIAL: AS NOTED
2. FINISH: AS NOTED
3. ELECTRICAL:
VOLTAGE: 483V PER IEC60664
600V PER UL2238
CURRENT: 10A
4. TEMP RATING: -20°TO +80°C
5. PROTECTION: IP67 (WHEN MATED)
6. COUPLING THREAD: 7/8-16UN
7. UL RECOGNIZED FILE: E152210
CSA CERTIFIED FILE: LR6837
8. ALL DIMS ARE FOR REFERENCE UNLESS TOLERANCED OR NOTED OTHERWISE

CABLE LENGTH TOLERANCES

- >.3M [1FT]: +19mm-0 [+0.75in-0]
- .3 - .9M [1 - 3FT]: +44.5mm-0 [+1.75in-0]
- .9 - 1.8M [3 - 6FT]: +55.6mm-0 [+2.19in-0]
- 1.8 - 3.7M [6 - 12FT]: +88.9mm-0 [+3.50in-0]
- 3.7 - 7.3M [12 - 24FT]: +165.1mm-0 [+6.50in-0]
- 7.3-14.6M [24 - 48FT]: +317.5mm-0 [+12.50in-0]
- 14.6 - 30.5M [48-100FT]: +622.3mm-0 [+24.50in-0]
- OVER 30M [100FT] +2% OF FINISHED LENGTH

ITEM	DESCRIPTION	MATERIAL	FINISH
6	WRAP LABEL	VINYL	BLACK/YELLOW
5	OVERMOLD	TPE	YELLOW
4	COUPLING NUT, INT. THD	ZINC DIE-CAST	NICKEL PLATED
3	CONTACT SOCKET	COPPER ALLOY	GOLD PLATED
2	FEMALE INSERT	TPE	YELLOW
1	CABLE, 16/4, ST00W	PVC JACKET	YELLOW

SYMBOLS	THIS DRAWING CONTAINS INFORMATION THAT IS PROPRIETARY TO MOLEX ELECTRONIC TECHNOLOGIES, LLC AND SHOULD NOT BE USED WITHOUT WRITTEN PERMISSION		CURRENT REV DESC.: 91M WAS 9.1M	
	DIMENSION UNITS	SCALE		
▽ = 0	INCH/MM	1:1		
▽ = 0	GENERAL TOLERANCES (UNLESS SPECIFIED)			
▽ = 0		mm	INCH	
▽ = 0	4 PLACES	±----	±----	EC NO: 646416
▽ = 0	3 PLACES	±----	±----	DRWN: RSTONE 2020/10/01
▽ = 0	2 PLACES	±----	±----	CHK'D: ALEON01 2020/10/05
▽ = 0	1 PLACE	±----	±----	APPR: BWOODMAN 2020/10/06
▽ = 0	0 PLACES	±----	±----	INITIAL REVISION:
▽ = 0	ANGULAR TOL ± ---- °		DRWN: RSTONE 2019/09/11	
▽ = 0	DRAFT WHERE APPLICABLE MUST REMAIN WITHIN DIMENSIONS		APPR: BWOODMAN 2019/10/03	
▽ = 0	THIRD ANGLE PROJECTION	DRAWING	SERIES	DOCUMENT NUMBER
		C-SIZE	130006	1300060725
				DOC TYPE
				PSD
				DOC PART
				000
				REVISION
				A1
				SHEET NUMBER
				1 OF 1