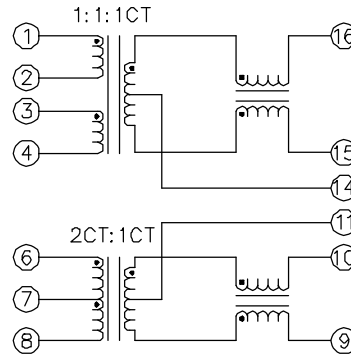


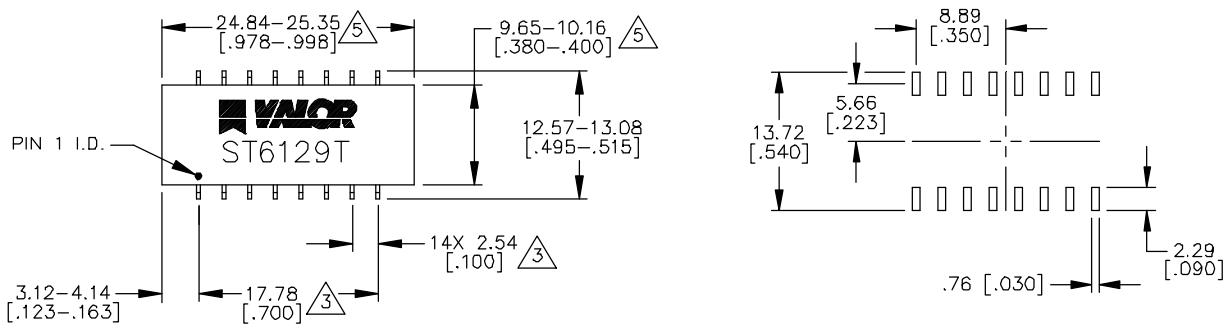
Electrical



ELECTRICAL SPECIFICATIONS @ 25°C

<p> TURNS RATIO (1-2):(3-4):(16-15) : 1:1:1CT TURNS RATIO (6-7-8 TO 10-11-9) : 2CT:1CT OCL (1-2) = (3-4) = (16-15) : 350μH MIN @100KHz, 100mV, 8mAdC OCL (10-9) : 350μH MIN @100KHz, 100mV, 8mAdC HIPOT (1-4 TO 16-15) CONNECT 2-3 : 1500VAC HIPOT (6-7-8 TO 10-11-9) : 1500VAC LL (1-2 SHORT 16-15) : 1.0μH MAX @ 1MHz, 1V LL (6-8 SHORT 10-9) : 1.25μH MAX @ 1MHz, 1V CWW (1-2 TO 16-15) = (3-4 TO 16-15) : 25pF MAX @ 140KHz, 1V CWW (6-8 TO 10-9) : 25pF MAX @ 140KHz, 1V DCR (1-2) = (3-4) : .9Ω MAX DCR (16-15) = (10-9) : 1.1Ω MAX DCR (6-8) : 1.1Ω MAX </p>	<p><u>SCHEMATIC</u></p> <p>T1, T2</p>
---	---------------------------------------

Mechanical



RECOMMENDED
PAD LAYOUT

