

**NEW**  

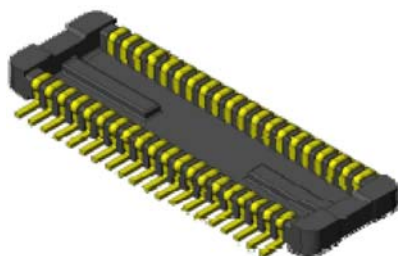

0.4mm Pitch Stacking Type Board to Board Connector CONNECTOR

## WH1 Series

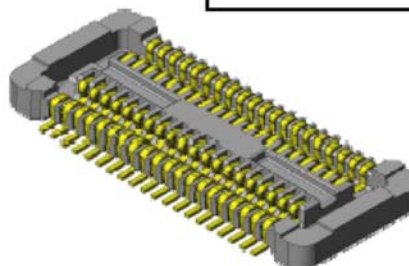
MB-0144-2

July 2006

**RoHS Compliant**



Plug



Receptacle

### Outline

WH1 series connectors have, 0.4mm-pitch, 1.0 mm height board-to-board connection that is ideal for slim low-profiled information communication devices such as mobile phones, LCDs and PDAs, with high density mounting requirements.

**Features**

- 0.4mm pitch, double lines; 24, 40 pos. (30, 50 pos. planned to be developed ), stacking height 1.0mm.
- Contact structure with high abrasion resistance and roll contacts with contact reliability.
- Separate 2-point contact design to resist twisting stress.
- Simple lock structure with assuring click response.
- Solder migration countermeasure for plug and receptacle. (nickel barrier for contact )
- Compatible to Pb-free

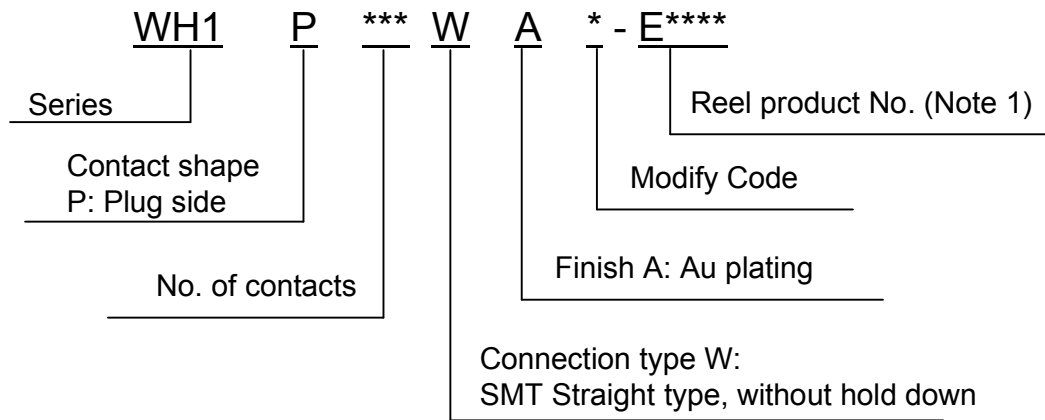
**General Specifications**

- |  |   |
|--|---|
| <ul style="list-style-type: none"> <li>■ No. of contacts : 20, 24 pos.</li> <li>■ Pitch: 0.4mm, 2 rows</li> <li>■ Operating temperature:<br/>-40 Deg. C to +85 Deg. C</li> <li>■ Contact resistance:<br/>70m ohm max. (initial)</li> <li>■ Lifetime: 50 times</li> </ul> | <ul style="list-style-type: none"> <li>■ Rated current: AC, DC 0.4A/per pos.</li> <li>■ Rated voltage: AC, DC 50V</li> <li>■ Insulation resistance: 100M ohm min. (initial)</li> <li>■ Dielectric withstanding voltage:<br/>AC250Vr.m.s per minute</li> <li>■ Total insertion force:<br/>1N x n max.(n: pos.)</li> <li>■ Total withdrawal force:<br/>0.15Nx n min. (n: pos.)</li> </ul> |
|--|---|

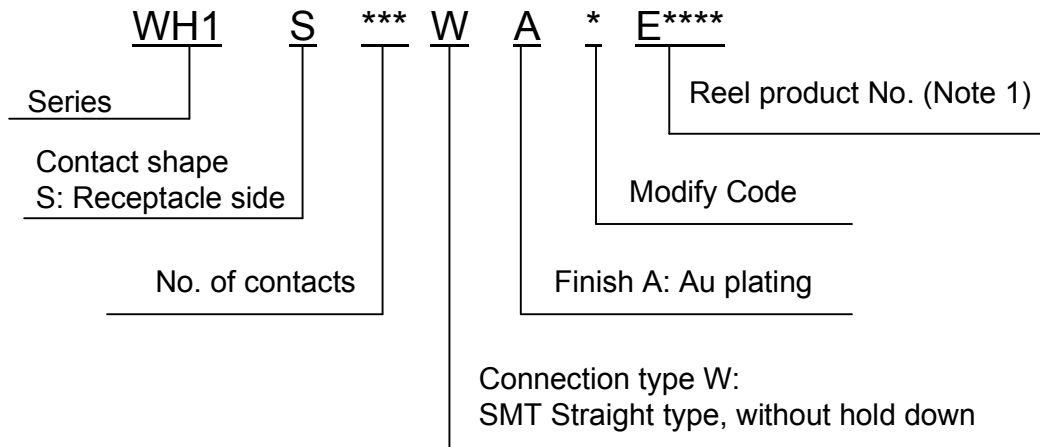
Materials and Finishes

Components	Materials/Finishes
Contact	Copper alloy/ Au plating( 0.1um min.)
Insulator	Heat resistant plastic (UL94V-0, Color: Black)

Ordering Information



Ordering Information

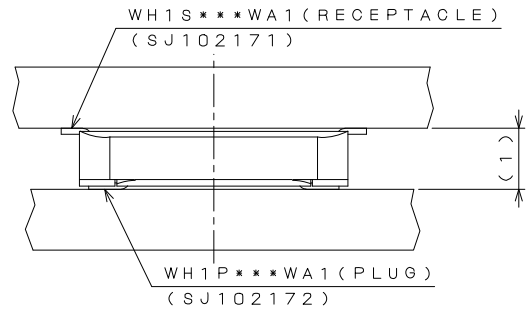
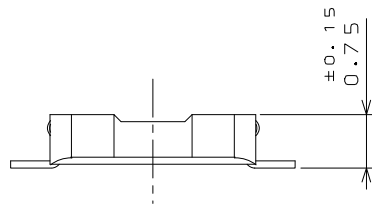


(Note 1) An embossed tape reel contains 6,000 pieces.

For information on emboss taping specifications, please contact us directly.

Part Number	WH1P***WA1
SJ Drawing	SJ102172

Unit: mm



MATED CONDITION (REF.)  
嵌合状態図 (参考)

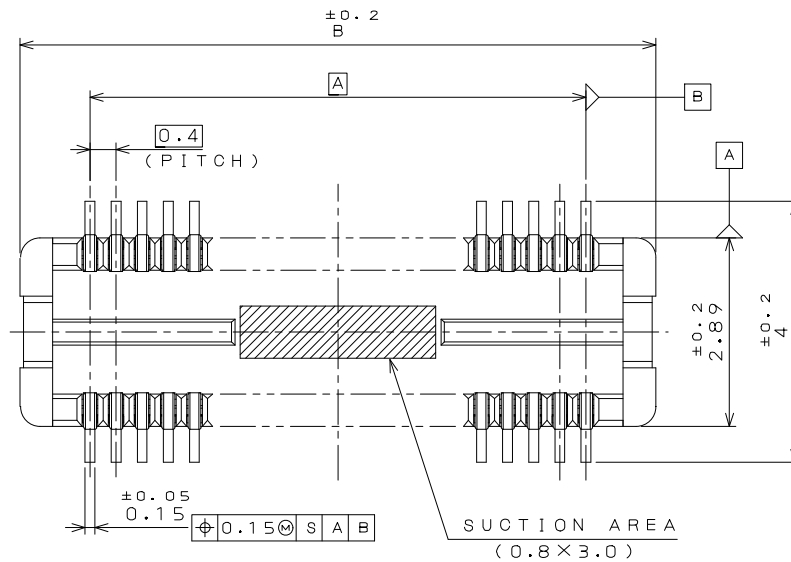
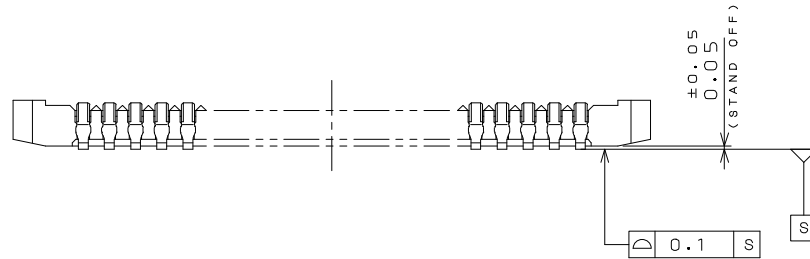


TABLE 1

名称 (TITLE)	A	B
WH1P024WA1	4.4	6.54
WH1P040WA1	7.6	9.74

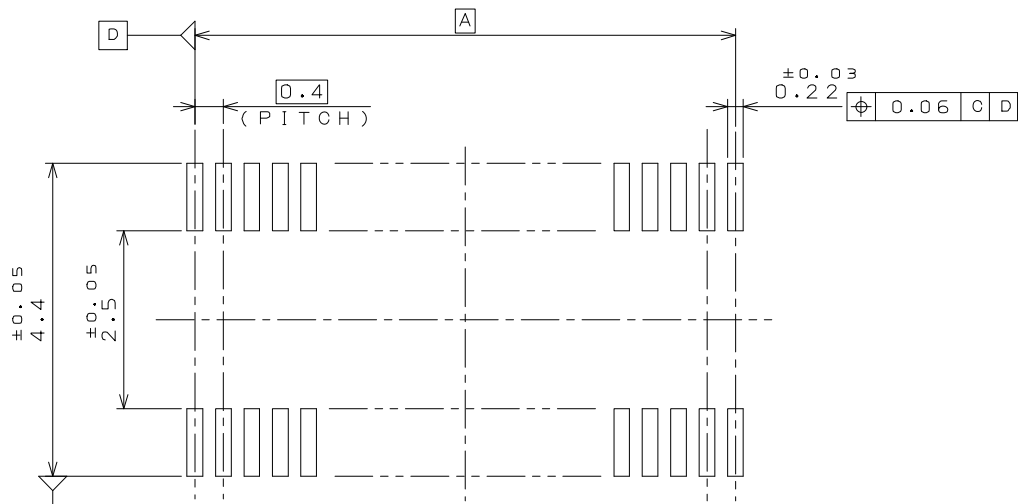
(Note 1) Coplanarity less than 0.1mm

(Note 2) An embossed tape reel contains 6,000 pieces.

For information on emboss taping specifications, please contact us directly.

Part Number	WH1P***WA1
SJ Drawing	SJ102172

Unit: mm

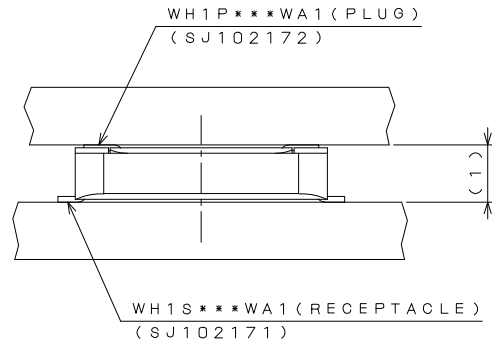
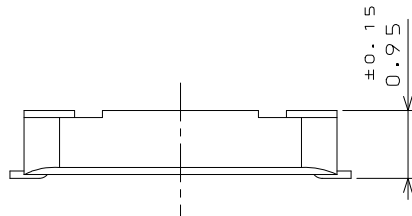


APPLICABLE P.C.B. DIMENSION (REF.)

適合基板寸法 (参考)

Part Number	WH1S***WA1
SJ Drawing	SJ102171

Unit: mm



MATED CONDITION (REF.)  
嵌合状態図 (参考)

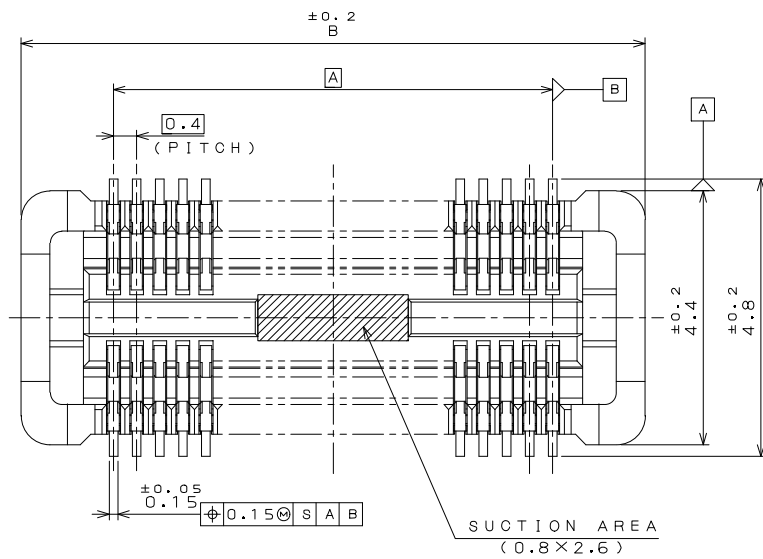
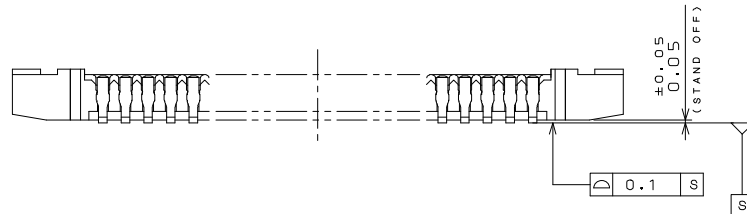


TABLE 1

名称 (TITLE)	A	B
WH1S024WA1	4.4	7.6
WH1S040WA1	7.6	10.8

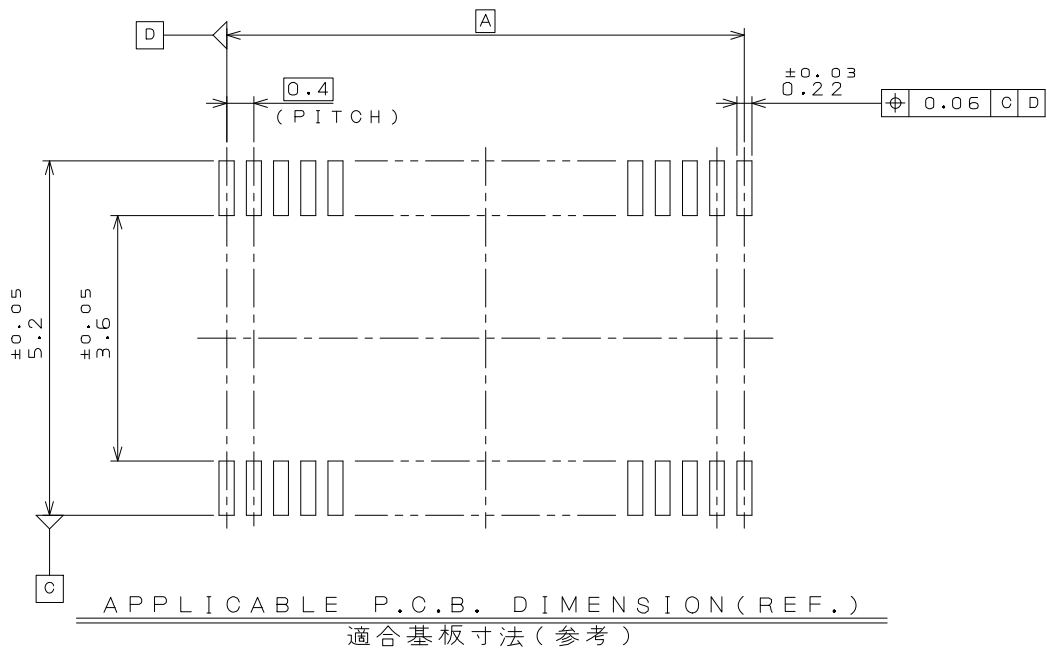
(Note 1) Coplanarity less than 0.1mm

(Note 2) An embossed tape reel contains 6,000 pieces.

For information on emboss taping specifications, please contact us directly.

Part Number	WH1S***WA1
SJ Drawing	SJ102171

Unit: mm



**Japan Aviation Electronics Industry, Limited**

Product Marketing Division  
 Aobadai Building, 3-1-19, Aobadai, Meguro-ku, Tokyo 153-8539  
 Phone: +81-3-3780-2787 FAX: +81-3-3780-2946

**Notice:** Products shown in this leaflet are made for the applications listed below. However, if the above-mentioned products are to be used in aerospace devices, marine cable-connection devices, atomic power control systems, medical equipment for life-support systems, or any other specific application requiring extremely high reliability, please contact JAE for further information.  
 Recommended applications: computers, office machines, measuring devices, telecommunication devices (terminals, mobile devices), AV devices, household applications, FA devices, etc.