

THIS DRAWING IS UNPUBLISHED. RELEASED FOR PUBLICATION
 © COPYRIGHT - By - ALL RIGHTS RESERVED.

LOC	DIST	REVISIONS					
		P	LTR	DESCRIPTION	DATE	DWN	APVD
J	-	V1		REVISED PER ECO-11-005140	28MAR11	RK	HMR

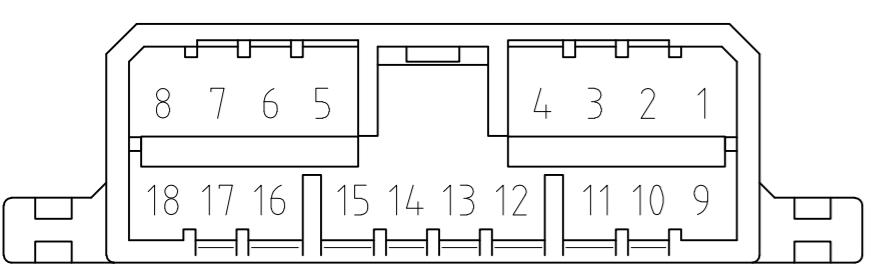
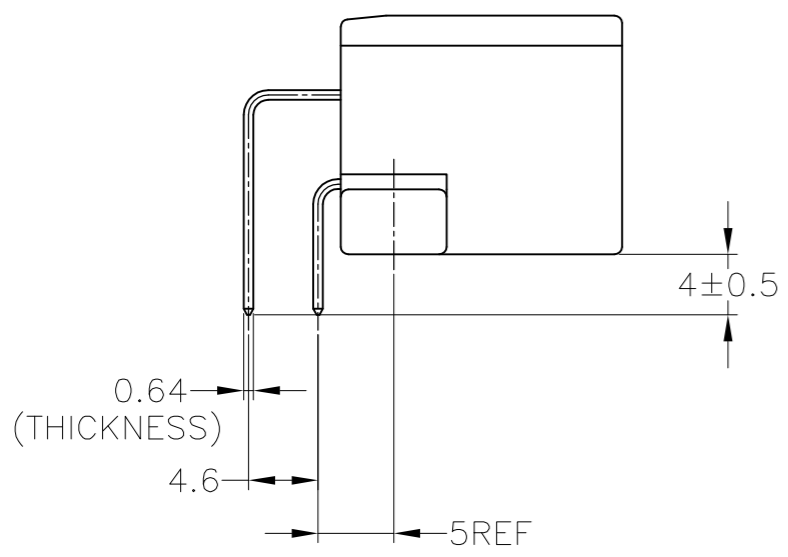
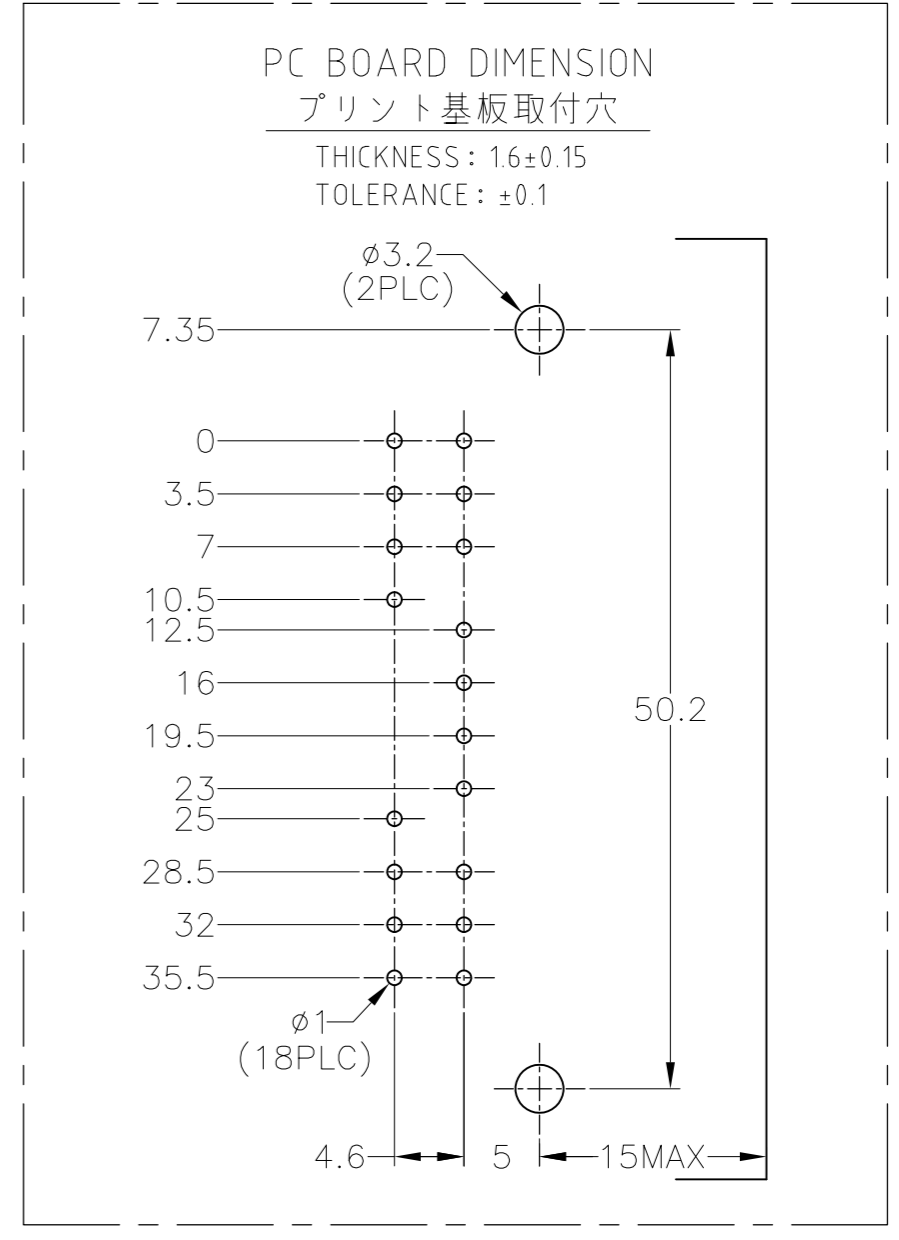
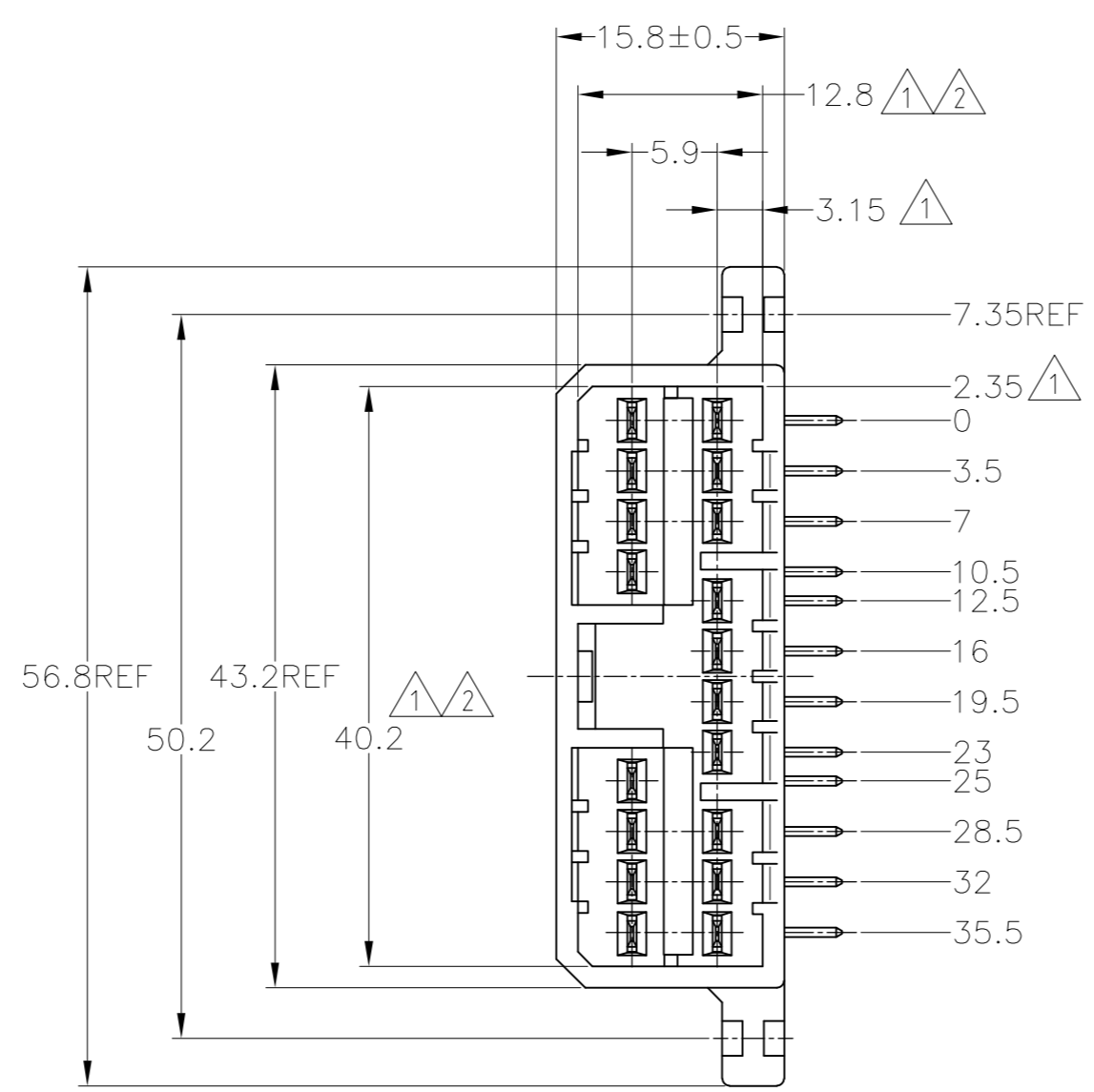
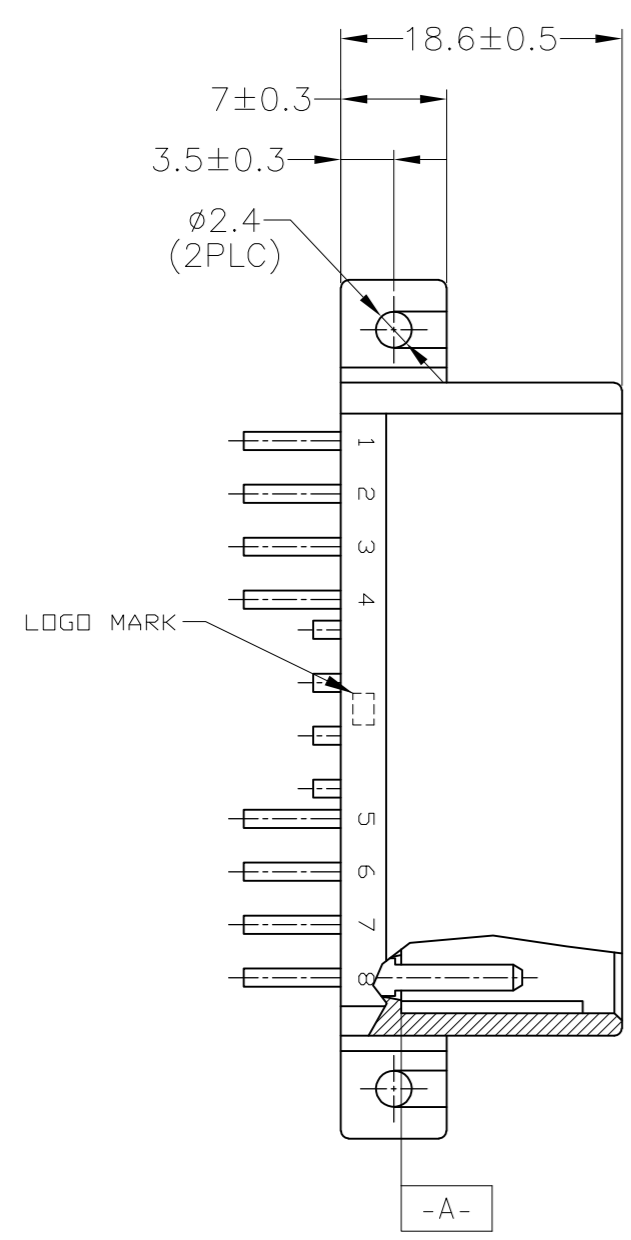


FIG.1 4

- 1. TO BE MEASURED BETWEEN -A- AND 2.
- 2. TO BE MATE WITH PLUG HSG SMOOTHLY.
- 3. TO BE USE M3 TAPPING SCREW JIS B1115 OR 1122 (TYPE2 OR 4) BEFORE SOLDER (TIGHTENING TORQUE : 0.4N-m (4Kg-cm) MAX.)
- 4. CIRCUIT NUMBER ; SEE FIG.1.
- 1. -A- 面より 2mm の範囲で測定。
- 2. 相手ハウジングと所定の機能を満足して嵌合できること。
- 3. プリント基板への取付は、JIS B1115又は1122, M3×6ナベ (2種又は4種)のタッピングネジで締付けた後ハンダ付する。(締付トルク: 0.4N-m (4Kg-cm)以下)
- 4. 回路番号: FIG.1参照のこと。

OBSOLETE	HB	SELECTIVE-TIN	PRE-TIN	-	GREEN	8-173862-1	
OBSOLETE	V-2		PRE-TIN	-	WHITE	9-173862-1	
		SELECTIVE-TIN	PRE-TIN	-	GRAY	7-173862-6	
		SEE CUSTOMER DRAWING 7-173862-1					7-173862-1
		PRE-TIN × 16	SELECTIVE GOLD × 2	11, 12	WHITE	6-173862-1	
		PRE-TIN × 14	SELECTIVE GOLD × 4	1, 3, 9, 13	GREEN	5-173862-4	
		PRE-TIN × 14	SELECTIVE GOLD × 4	1, 3, 9, 13	WHITE	5-173862-1	
		PRE-TIN × 16	SELECTIVE GOLD × 2	5, 15	WHITE	4-173862-1	
		PRE-TIN × 12	SELECTIVE GOLD × 6	10~13, 16, 17	WHITE	3-173862-1	
		TIN-LEAD	SELECTIVE GOLD × 18	1~18	GREEN	2-173862-4	
		TIN-LEAD	SELECTIVE GOLD × 18	1~18	WHITE	2-173862-1	
		PRE-TIN × 16	SELECTIVE GOLD × 2	8, 18	WHITE	1-173862-1	
		PRE-TIN		-	GRAY	173862-6	
		PRE-TIN		-	BLUE	173862-5	
		PRE-TIN		-	GREEN	173862-4	
		SELECTIVE-TIN (MATTE)	SELECTIVE-TIN (BRIGHT)	-	WHITE	173862-3	
		PRE-TIN		-	BLACK	173862-2	
		PRE-TIN		-	WHITE	173862-1	
		SOLDERING SIDE 半田付け部	CONTACT SIDE 接触部側	GOLD PLATED CIRCUIT NO 金めっき回路番号 4	COLOR 色	PART NUMBER 製品型番	

OBSOLETE

TOLERANCE UNLESS OTHERWISE SPECIFIED: 一般公差	
0 < x ≤ 10	: ±0.2
10 < x ≤ 30	: ±0.25
30 < x ≤ 100	: ±0.3
ANGLE	: ±3°

THIS DRAWING IS A CONTROLLED DOCUMENT.

DIMENSIONS:	TOLERANCES UNLESS OTHERWISE SPECIFIED:
mm	0 PLC ±
	1 PLC ±
	2 PLC ±
	3 PLC ±
	4 PLC ±
	ANGLES ±
MATERIAL	FINISH
HSG; PBT	SEE TABLE
CONTACT; BRASS	

DWN T.SHINOHARA 15AUG05		070 SERIES MULTI-LOCK I/O CONNECTOR 18POSITION CAP HOUSING ASSEMBLY	RESTRICTED TO		
CHK K.BETSUI 15AUG05					
APVD K.BETSUI 15AUG05					
PRODUCT SPEC 108-5216					
APPLICATION SPEC	NAME	SIZE	CAGE CODE	DRAWING NO	SHEET
WEIGHT 9.6 g	A2	00779	C=173862	SCALE 2:1	SHEET 1 of 1
CUSTOMER DRAWING					REV V1