



PRODUCT DATASHEET

Lenina series

last update 31/10/2016

DETAILS

Product Number	CN12602_LENINA-W
Family	Lenina
Type	RefPack
Color	metal
Diameter	74 mm
Height	46,25 mm
Style	round
Optic Material	
Holder Material	
Fastening	screw
Status	production ready
ROHS Compliant	Yes
Date Updated	31/10/2016

OPTICAL PROPERTIES

LED	Viewing Angle	Light Beam	Efficiency	cd/lm	Connector
BXRA ES Rectangle	58 deg	Wide	91 %	1.100	LEDiL: LEDiL



D

C

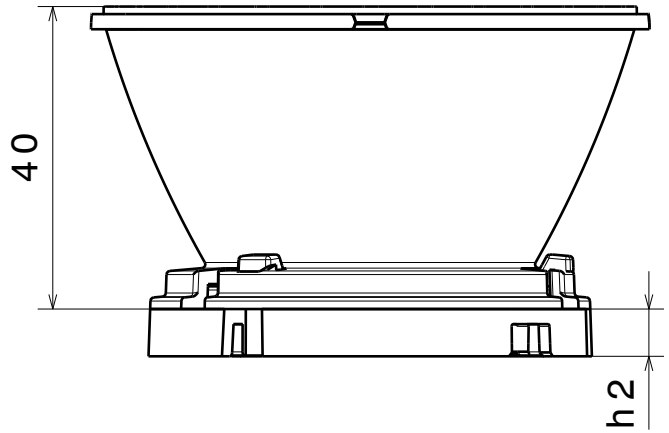
B

A

4

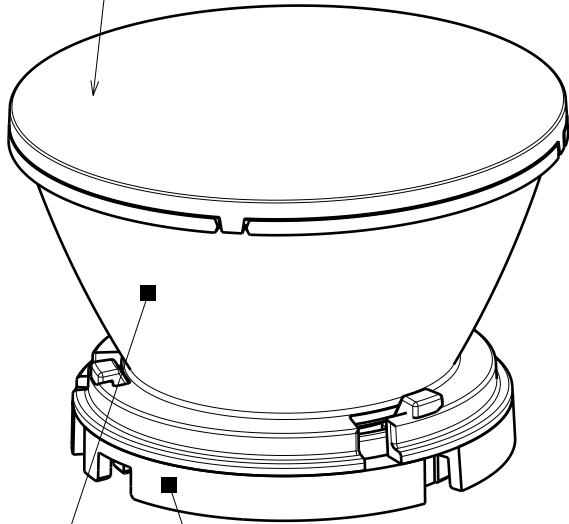
4

Material of optional sublens: PC, clear



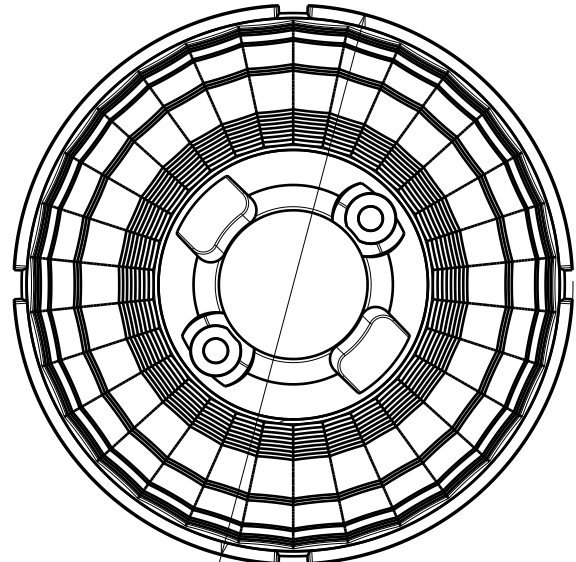
3

3



Base material PC, white

Reflector material PC



2

2

NOTE:

Using optional sublens, add 2.1mm to the system height

Dimension 'h2' varies from 4.5mm to 7mm depending on the LED specific base part

This drawing is our property. It can't be reproduced or communicated without our written agreement.



Ledil Oy
Salorankatu 10
FIN-24240 SALO
Finland

DRAWING TITLE

Datasheet Lenina series

1

1

DRAWN BY

ks

DATE

23.04.2014

CHECKED BY

DATE

SIZE

A4

DRAWING NUMBER

--

REV

1

DESIGNED BY

pl

DATE

08.03.2012

SCALE

1:1

WEIGHT (g)

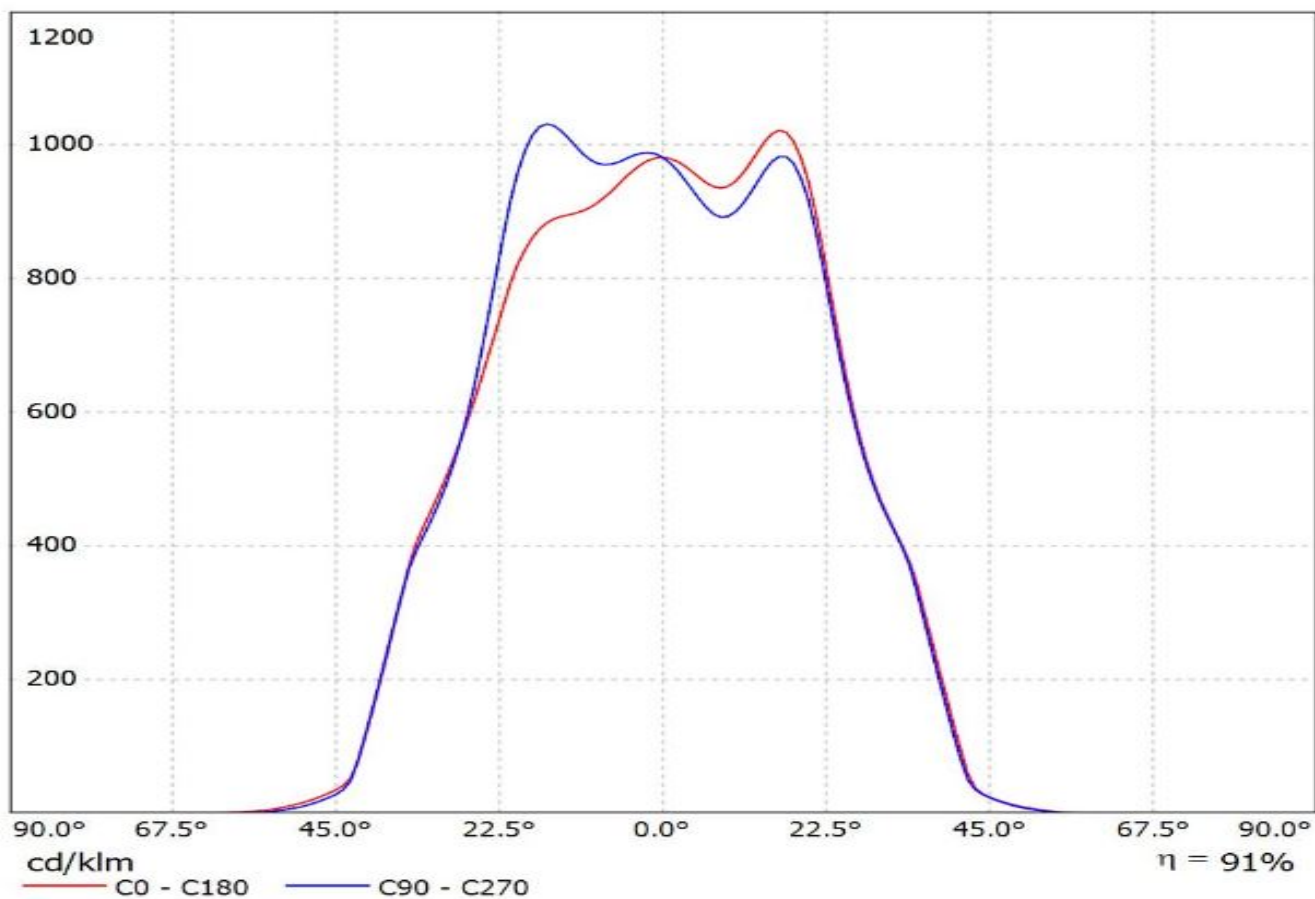
SHEET

1/1

D

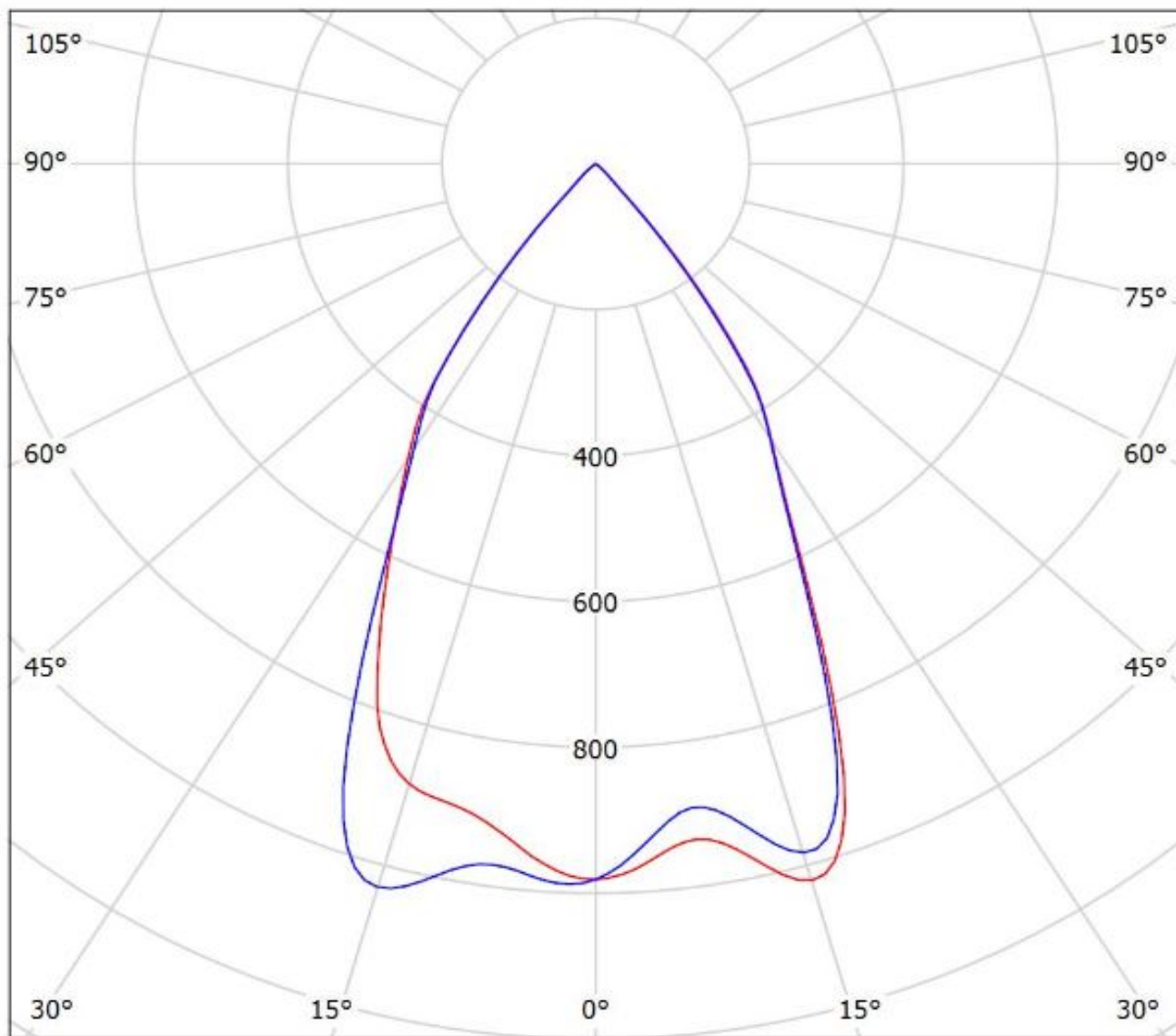
A

Luminaire: Ledil CN12602_LENINA-W_(Bridgelux_BXRA_ES_Rectangle)
Lamps: 1 x Bridgelux_BXRA_ES_Rectangle_(BXRAES-W0802)_186.209lm@250mA_P=2.6918W_I=0.25A



Luminaire: Ledil CN12602_LENINA-W_(Bridgelux_BXRA_ES_Rectangle)

Lamps: 1 x Bridgelux_BXRA_ES_Rectangle_(BXRAES-W0802)_186.209lm@250mA_P=2.6918W_I=0.25A



cd/klm

— C0 - C180 — C90 - C270

$\eta = 91\%$

NOTE: The typical divergence will be changed by different color, chip size and chip position tolerance. The typical total divergence is the full angle measured where the luminous intensity is half of the peak value.