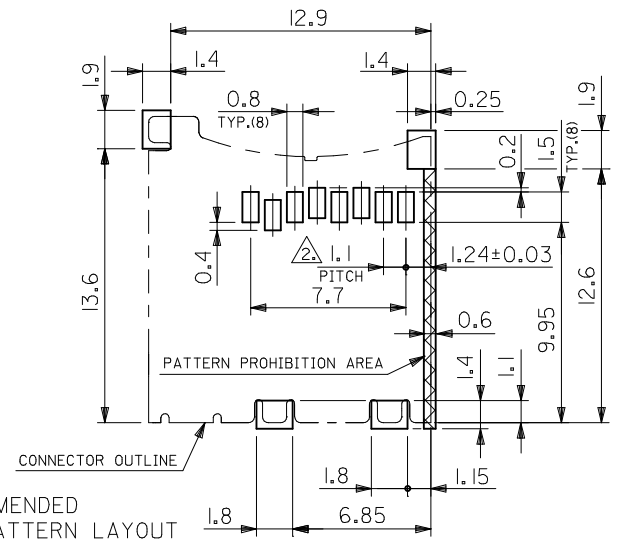
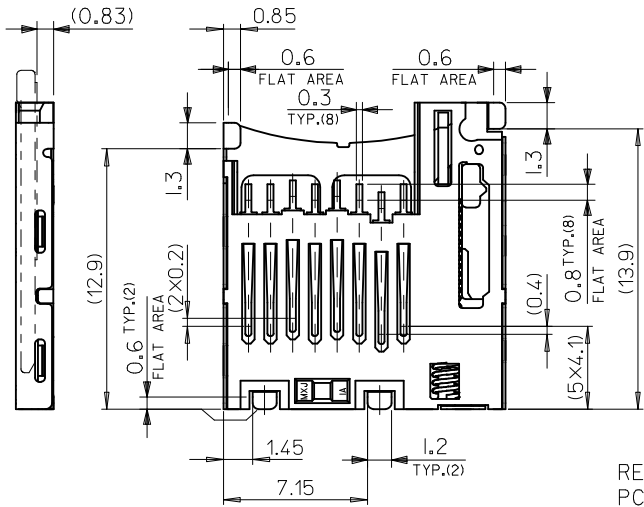
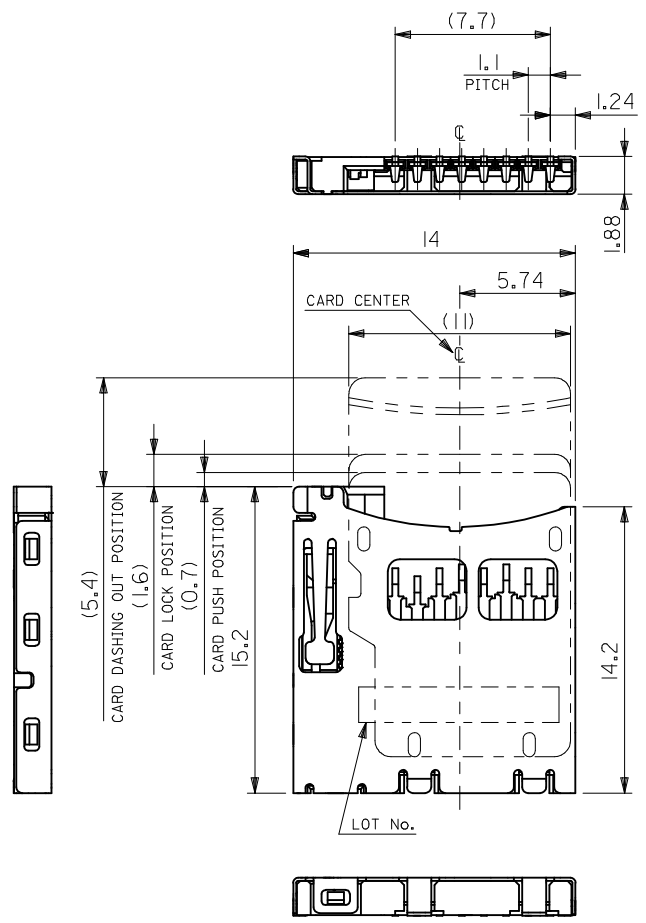


CONFIDENTIAL

PARTS	QTY	MATERIAL	FINISH
ハウジング HOUSING	1	ガラス入り耐熱樹脂 (LCP), UL94V-0 色:黒 HEAT RESISTANCE POLYMER (LCP), UL94V-0, BLACK	—
スライダーカム SLIDER CAM	1	ガラス入り耐熱樹脂 (LCP), UL94V-0 色:黒 HEAT RESISTANCE POLYMER (LCP), UL94V-0, BLACK	—
ターミナル TERMINAL	8	コルソン銅 CORSON COPPER	接点部:金メッキ 0.5μm MIN. CONTACT AREA: GOLD 0.5μm MIN. 下地:ニッケルメッキ 2.0μm MIN. UNDER PLATING: NICKEL 2.0μm MIN. 半田付け部:錫メッキ 1.0μm MIN. SOLDER AREA: TIN 1.0μm MIN.
メタルカバー METAL COVER	1	洋白 NICKEL SILVER	—
ピン PIN	1	ステンレス鋼 STAINLESS STEEL	—
スプリング SPRING	1	ピアノ線 SWP	全面:ニッケルメッキ ALL OVER: NICKEL



RECOMMENDED PCB PATTERN LAYOUT  
(GENERAL TOLERANCE : ±0.05)

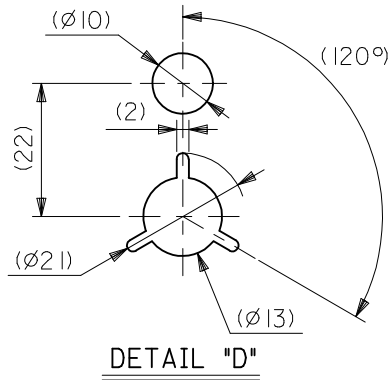
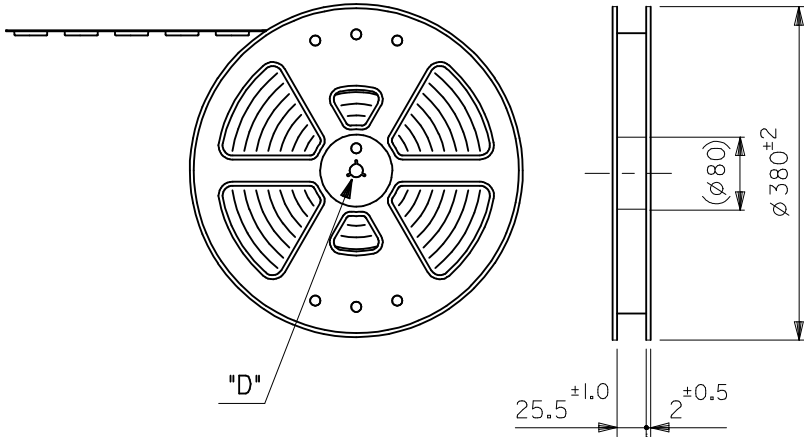
NOTES

- ターミナル及びネイルの平坦度は 0.1 MAX.  
TERMINAL AND NAIL COPLANARITY TO BE 0.1 MAX.
- 公差非累積  
TOLERANCE : NON-CUMULATIVE

EMBOSSD TAPE	500873-0816	500873-08**
CONNECTOR ONLY	500873-0817	
PACKAGE	MATERIAL No.	MODEL No.

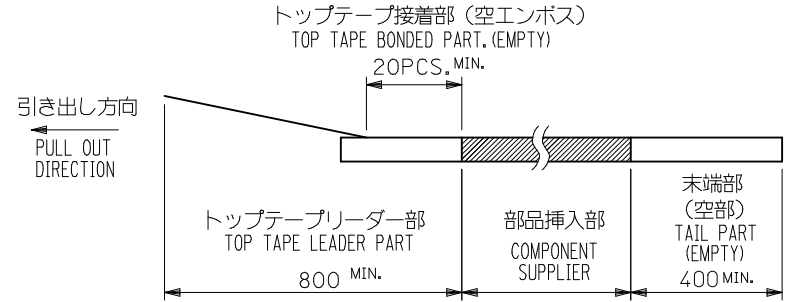
PROPOSED EC NO: J2010-0622 DRWN:TFUJIKAWA 2009/09/25 CHKD:NUKITA APPR:NUKITA	GENERAL TOLERANCES (UNLESS SPECIFIED)		DIMENSION STYLE MM ONLY		SCALE 4:1	DESIGN UNITS METRIC	THIRD ANGLE PROJECTION
	10 UNDER	±0.2	DRAWN BY TFUJIKAWA	DATE 2009/07/17	TITLE TFR MEMORY CARD CONN. PUSH/PUSH NORMAL TYPE		
	10 OVER 30 UNDER	±0.25	CHECKED BY MTOMITA	DATE 2009/07/17	MOLEX INCORPORATED		
	30 OVER	±0.3	APPROVED BY NUKITA	DATE 2009/07/17	DOCUMENT NO. SD-500873-011		
REV	DESCRIPTION	ANGULAR ±3 °	DRAFT WHERE APPLICABLE MUST REMAIN WITHIN DIMENSIONS		SIZE A3	SHEET NO. 1 OF 1	

引き出し方向  
PULL OUT DIRECTION

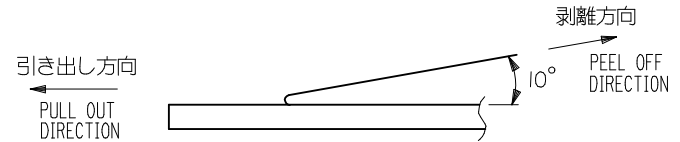


NOTES

1. 製品詳細寸法については、SD図面を参照下さい。  
RE DETAILED DIMENSION, SEE SALES DRAWING.
2. 梱包数量：1400 個/リール  
NUMBER OF CONNECTORS：1400PCS/REEL
3. リードテープ長さ LEAD TAPE LENGTH



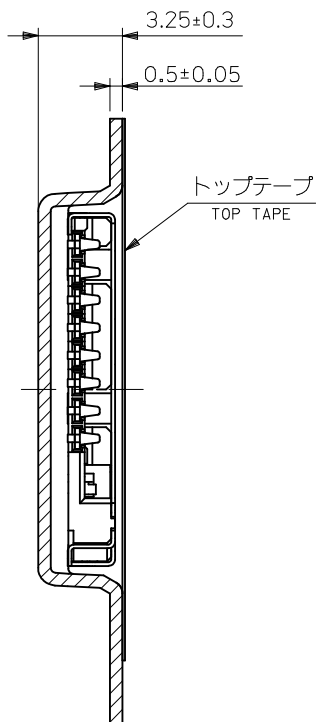
4. トップテープの剥離強度：0.1N～1.3N (10.2gf～130gf) (剥離方向は下図参照) 尚、本規格値は出荷時に適用。(但し、輸送時に剥離が発生しないこと。)  
PEELING OFF FORCE OF TOP TAPE：0.1N～1.3N (10.2gf～130gf)  
(PEELING DIRECTION AS SHOWN IN FOLLOWING FIG.)  
THIS REQUIREMENT SHOULD BE APPLIED AT SHIPMENT.  
PEEL OFF SHOULD NOT BE ALLOWED, DURING TRANSPORTATION.



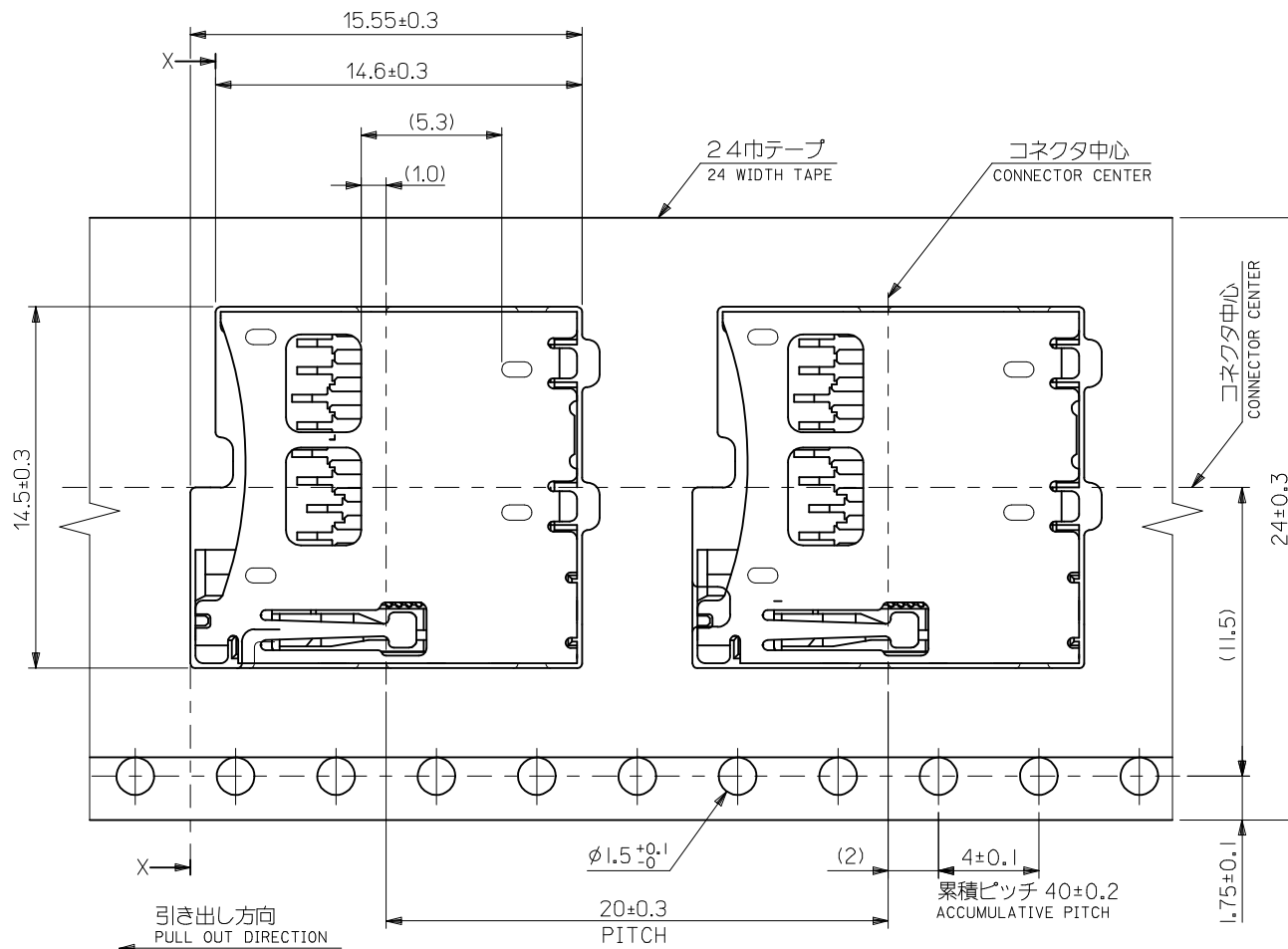
5. 材料 (MATERIAL)  
キャリアテープ (CARRIER TAPE)：ポリスチレン (POLYSTYRENE)  
トップテープ (TOPTAPE)：PET, PE, PEF  
リール (REEL)：ポリスチレン (PS) <リサイクル材を含む>  
POLYSTYRENE (PS) <RECYCLE MATERIAL CONTAINED>

500873-0817	500873-0816	500873-08**
CONNECTOR NO.	MATERIAL NO.	MODEL NO.

PROPOSED EC NO.: J2010-0622 DRWN:TFUJIKAWA 2009/09/25 CHKD:MTOMITA APPR:MTOMITA	DESCRIPTION REV: 0	GENERAL TOLERANCES (UNLESS SPECIFIED)		DIMENSION STYLE MM ONLY		SCALE ---	DESIGN UNITS METRIC		THIRD ANGLE PROJECTION		
		10 UNDER	±0.2	DRAWN BY	DATE	TITLE					
		10 OVER 30 UNDER	±0.25	TFUJIKAWA	2009/07/17	TFR CARD CONN. EMBOSSED TAPE PACKAGE					
		30 OVER	±0.3	MTOMITA	2009/07/17						
ANGULAR ±3 ° DRAFT WHERE APPLICABLE MUST REMAIN WITHIN DIMENSIONS		APPROVED BY NUKITA 2009/07/17		MATERIAL NO. 500873-0816		DOCUMENT NO. SD-500873-012		MOLEX INCORPORATED		SHEET NO. 1 OF 2	
THIS DRAWING CONTAINS INFORMATION THAT IS PROPRIETARY TO MOLEX INCORPORATED AND SHOULD NOT BE USED WITHOUT WRITTEN PERMISSION											



SECTION X-X



PROPOSED EC NO: J2010-0622 DRWN: FUJIKAWA 2009/09/25 CHKD: MTOMITA APPR: MTOMITA	GENERAL TOLERANCES (UNLESS SPECIFIED)		DIMENSION STYLE MM ONLY		SCALE ---	DESIGN UNITS METRIC	THIRD ANGLE PROJECTION	
	10 UNDER	±0.2	DRAWN BY FUJIKAWA	DATE 2009/07/17	TITLE TFR CARD CONN. EMBOSSED TAPE PACKAGE			
	10 OVER 30 UNDER	±0.25	CHECKED BY MTOMITA	DATE 2009/07/17	MOLEX INCORPORATED			
	30 OVER	±0.3	APPROVED BY NUKITA	DATE 2009/07/17	MATERIAL NO. 500873-0816	DOCUMENT NO. SD-500873-012	SHEET NO. 2 OF 2	
	ANGULAR ±3 ° DRAFT WHERE APPLICABLE MUST REMAIN WITHIN DIMENSIONS		THIS DRAWING CONTAINS INFORMATION THAT IS PROPRIETARY TO MOLEX INCORPORATED AND SHOULD NOT BE USED WITHOUT WRITTEN PERMISSION					