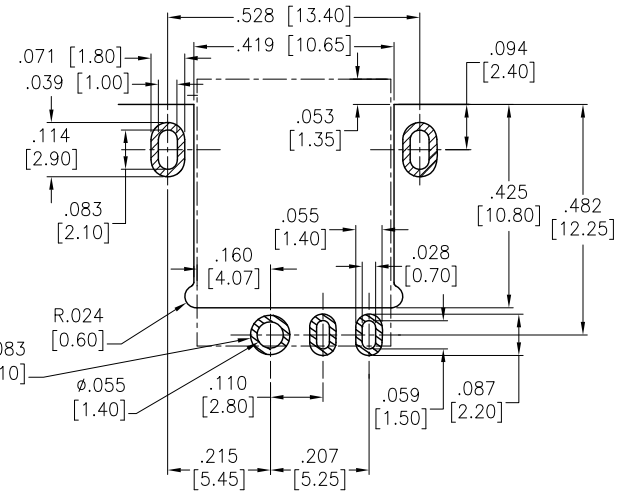
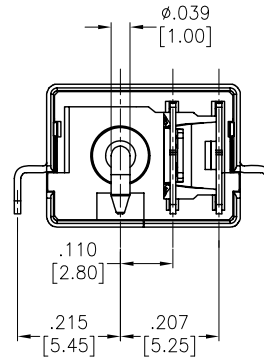
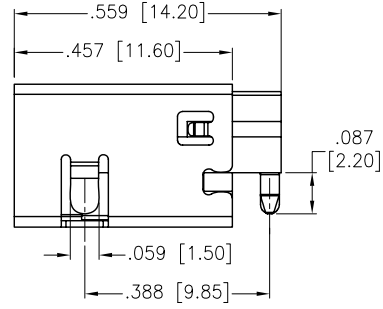
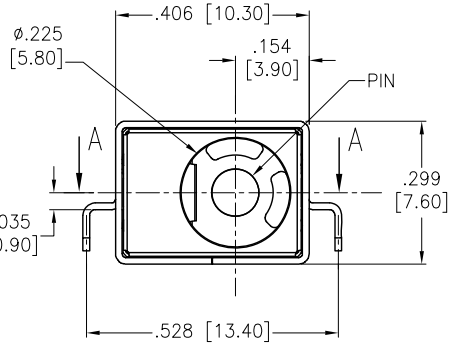
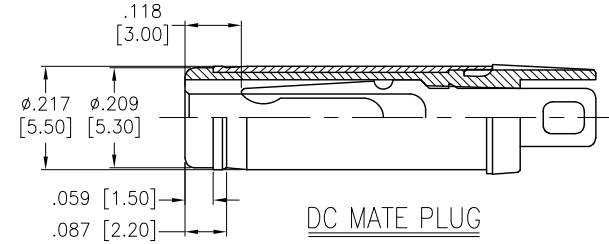
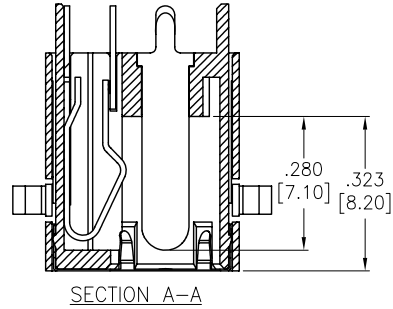
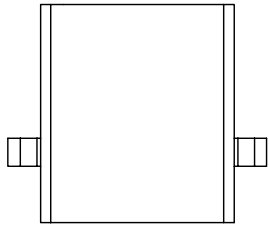


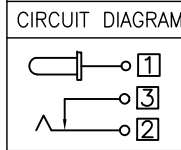
APPROVED: _____
 DATE: _____ TITLE: _____

Rev	AWO #	Description	Date	Appr
-		RELEASED	11/16/12	
A		UPDATED SPEC.	11/16/18	HR/AC1



SPECIFICATIONS:

Material:
 Insulator: Hi-temp thermoplastic, rated UL 94V-0
 Insulator color: Black
 Grounding: Stainless Steel
 Pin: Copper Alloy, Gold plated
 Terminal: Copper Alloy, Silver plated
 Spring: Copper Alloy, Silver plated
 Shell: Copper Alloy, Nickel plated
Electrical:
 Rating: 20VDC, 7A
 Contact resistance: 30 mohms max.
 Insulation resistance: 100 Mohms min. @ 500 VDC
 Dielectric withstanding voltage: 500 VAC
 Temperature Rating:
 Operating temperature: -20°C to +70°C
Environmental:
 Lead free, RoHS compliant



PACKAGED ON TAPE & REEL

ADAM P/N	Dim X
ADC-102-1-T/R	ø.079 [2.00]
ADC-102-2-T/R	ø.098 [2.50]

UNLESS OTHERWISE SPECIFIED
 ALL DIMENSIONS ARE INCHES [MM]
 TOLERANCES: EXCEPT AS NOTED
 INCHES HOLES

.X ± .10	ØX ± .10
.XX ± .020	ØXX ± .015
.XXX ± .015	ØXXX ± .010

ADAM TECH INTERCONNECTS
 909 Rahway Avenue,
 Union, NJ 07083
 Phone: 908-687-5000
 Fax: 908-687-5710

APPROVALS		DATE
DRAWN	AY	11/16/12
CHECKED	GH	11/16/12
APPROVED		

TITLE			
DC POWER JACK, 2.00mm, 2.50mm CENTER PIN			
SIZE	PART NO.	REV.	
X	ADC-102-X-T/R	A	
REF:	S00002C	SCALE:	NTS
		SHEET 1 OF 1	