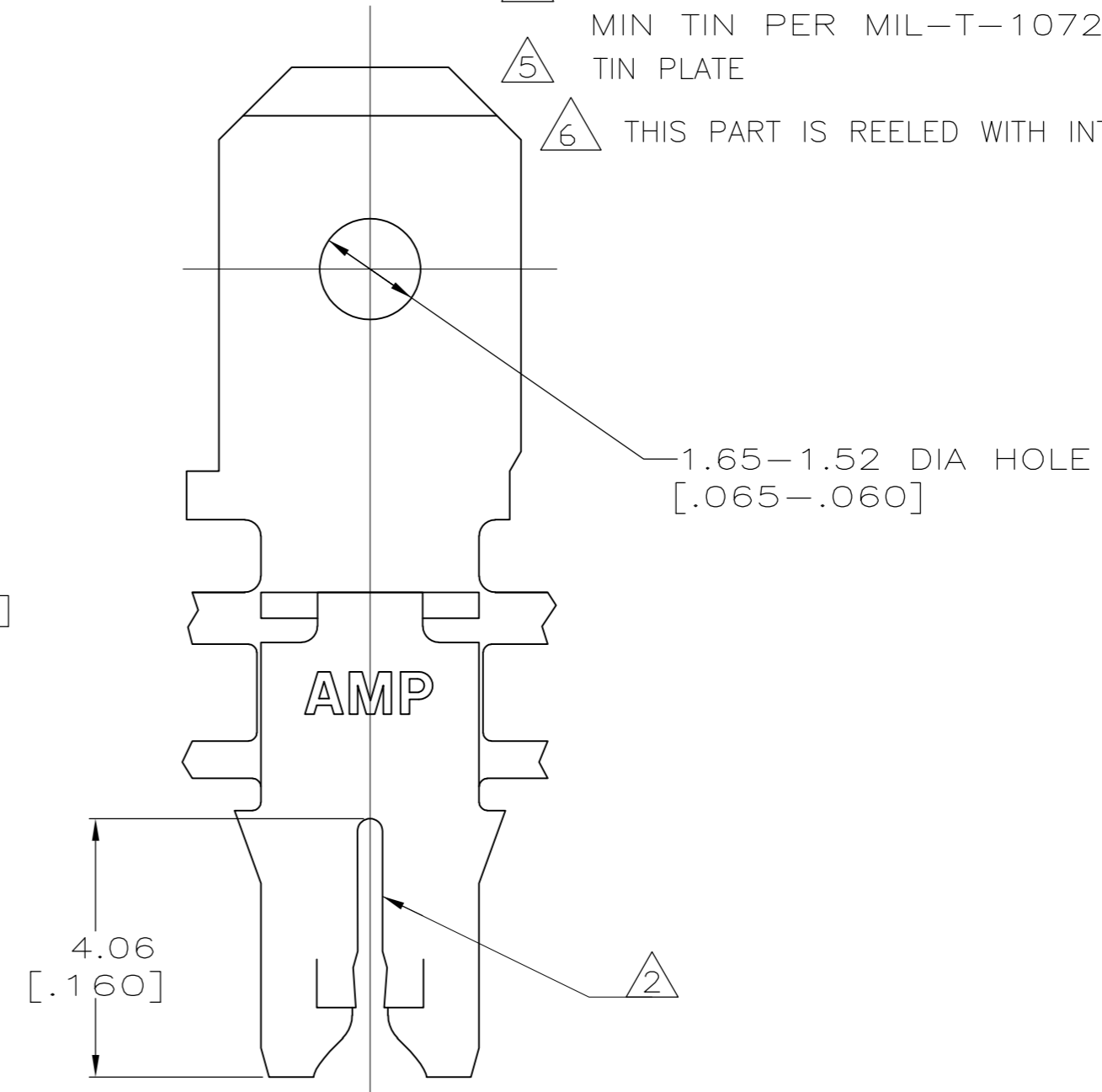
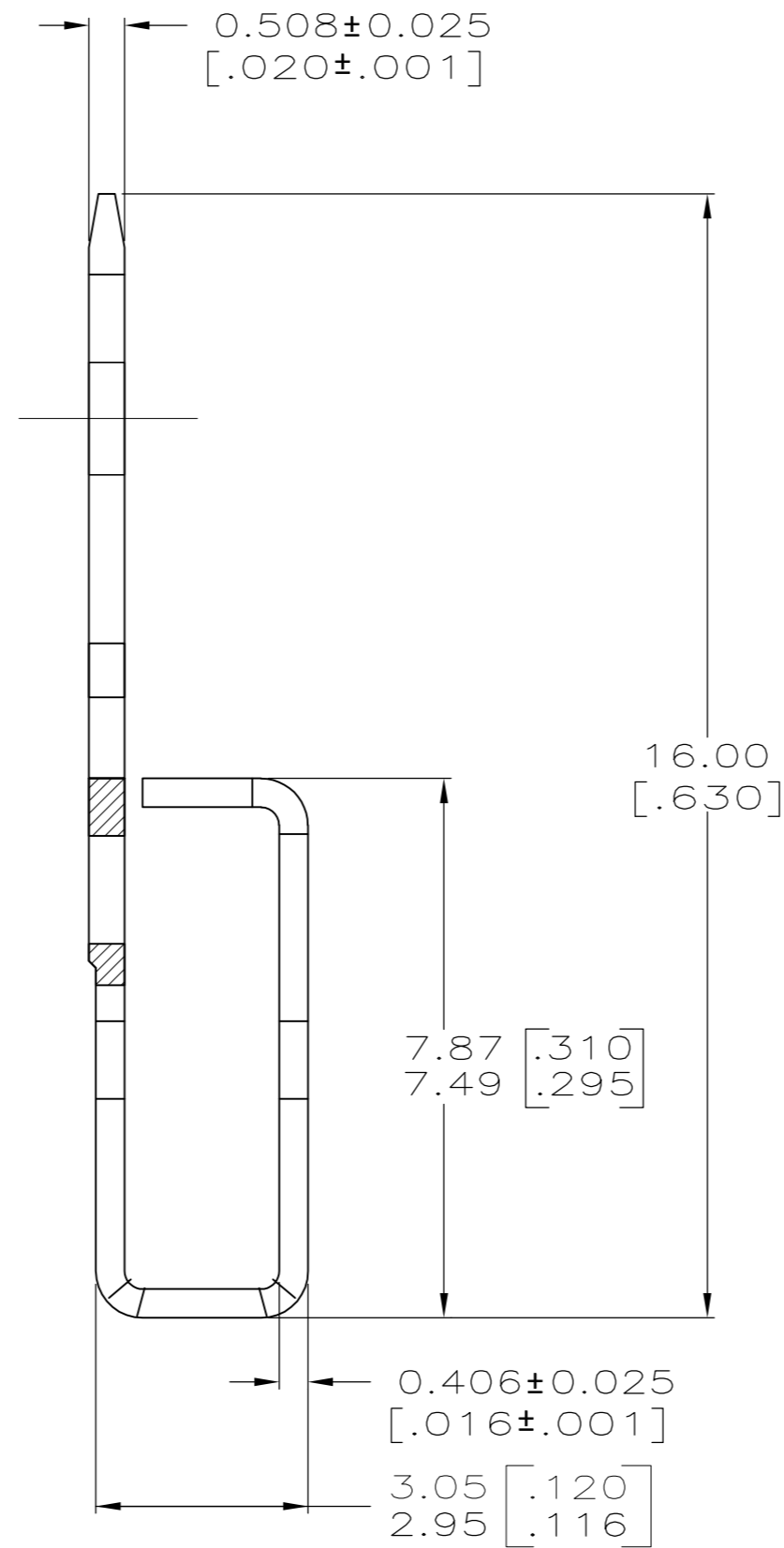
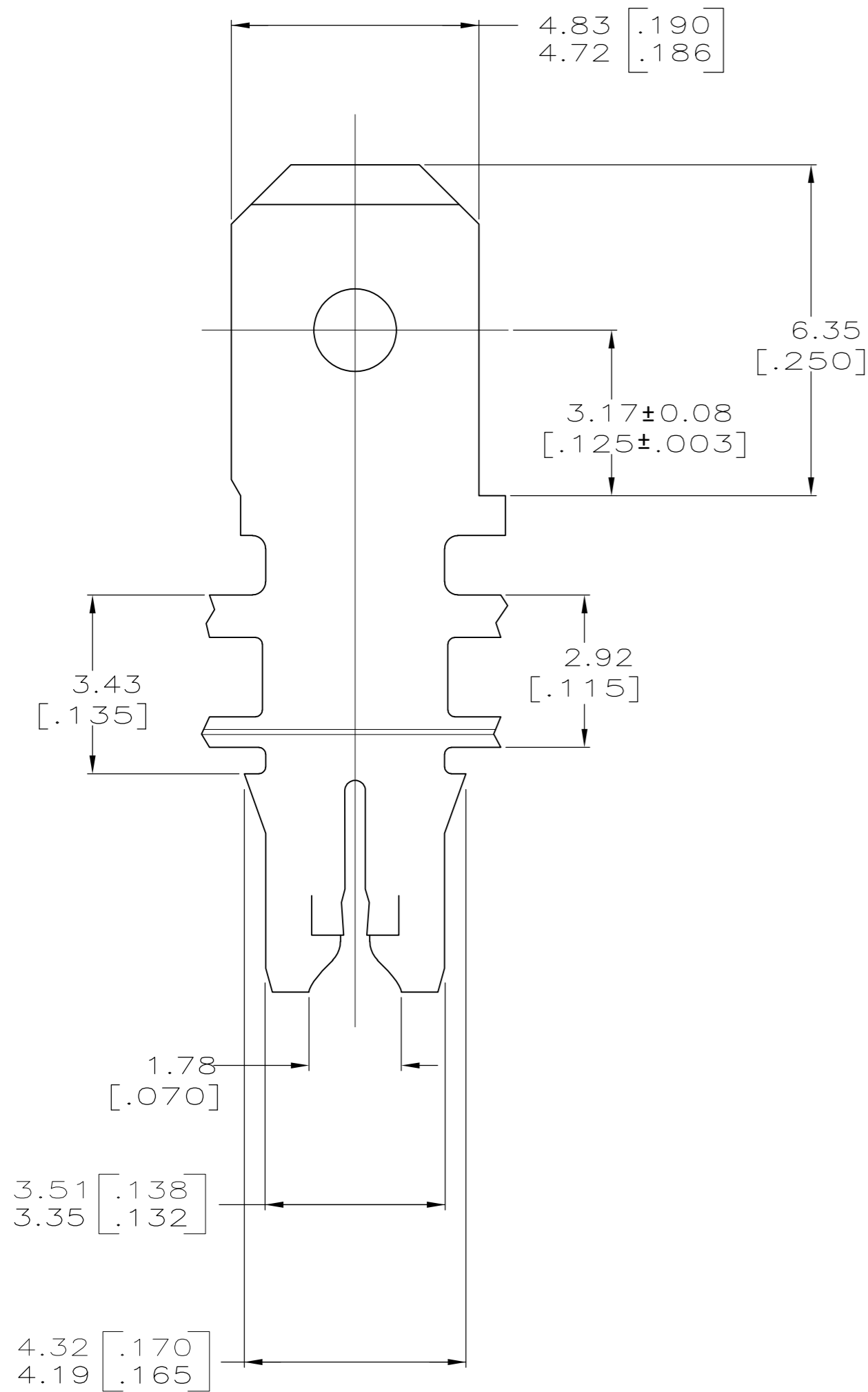
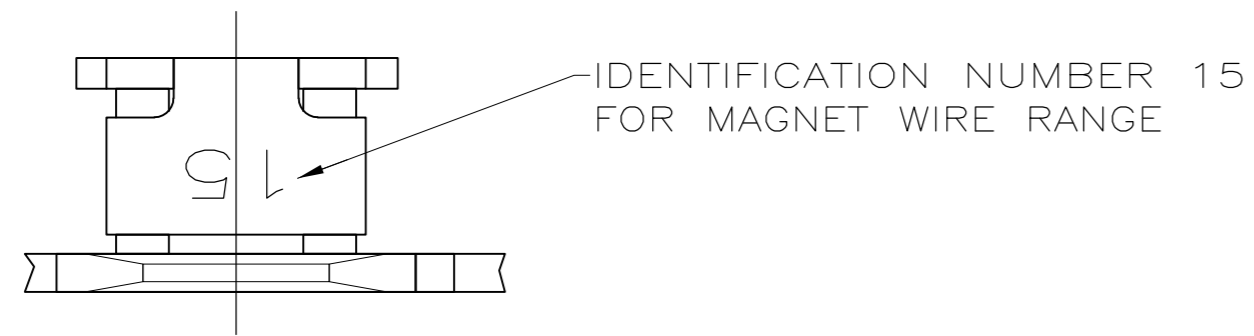


THIS DRAWING IS UNPUBLISHED. RELEASED FOR PUBLICATION  
 © COPYRIGHT - By TE CONNECTIVITY ALL RIGHTS RESERVED.

| REVISIONS |     |                  |           |     |      |
|-----------|-----|------------------|-----------|-----|------|
| P         | LTR | DESCRIPTION      | DATE      | DWN | APVD |
| E4        |     | RELEASED 63663-3 | 21NOV2016 | SV  | PKS  |



- 1 CONTINUOUS STRIP ON REELS WITH TERMINALS LOCATED ON 5.59 ± 0.08 [.220±.003] CENTERS.
- 2 SLOT TERMINATES A SINGLE MAGNET WIRE ONLY. COPPER RANGE: 0.64-0.81mm [#22-#20] AWG. ALUMINUM RANGE: 0.72-0.91mm [#21-#19] AWG. ALUMINUM WIRE RANGE APPLIES FOR POST-TIN PLATED VERSIONS ONLY.
- 3 AFTER INSERTION INTO PLASTIC HOLDER TAB PORTION MUST BE BENT OVER 45° TO 90° OR POTTED-IN TO PREVENT PULL-OUT WHEN MATING RECEPTACLE IS DISCONNECTED.
- 4 VARNISH RESIST OVER 0.002032 [.000080] MIN TIN PER MIL-T-10727.
- 5 TIN PLATE
- 6 THIS PART IS REELED WITH INTERLAYER PAPER.

|        |          |   |
|--------|----------|---|
| 5      | 63663-3  | 6 |
| 5      | 63663-2  |   |
| 4      | 63663-1  |   |
| FINISH | PART NO. |   |

|  |  |                                  |                     |                 |
|--|--|----------------------------------|---------------------|-----------------|
| THIS DRAWING IS A CONTROLLED DOCUMENT. |  | DWN 9/3/92<br>MICHAEL S. FEHER   | TE Connectivity     |                 |
| DIMENSIONS: INCHES                     |  | CHK 9/4/92<br>PHILLIP M. FORTNEY | NAME                |                 |
| TOLERANCES UNLESS OTHERWISE SPECIFIED: |  | APVD 9/15/92<br>NELSON E. NEFF   | PRODUCT SPEC        |                 |
| 0 PLC ± -                              |  | 108-2012                         | TERMINAL, TAB       |                 |
| 1 PLC ± -                              |  | APPLICATION SPEC                 | 4.75 [.187] FASTON™ |                 |
| 2 PLC ± 0.25 [.010]                    |  | 114-2046                         | MAG-MATE™           |                 |
| 3 PLC ± -                              |  | WEIGHT 0                         | SIZE A2             | CAGE CODE 00779 |
| 4 PLC ± -                              |  | CUSTOMER DRAWING                 | DRAWING NO. 63663   | RESTRICTED TO - |
| ANGLES ± -                             |  | SCALE 10:1                       | SHEET 1 OF 1        | REV E4          |
| FINISH SEE TABLE                       |  |                                  |                     |                 |