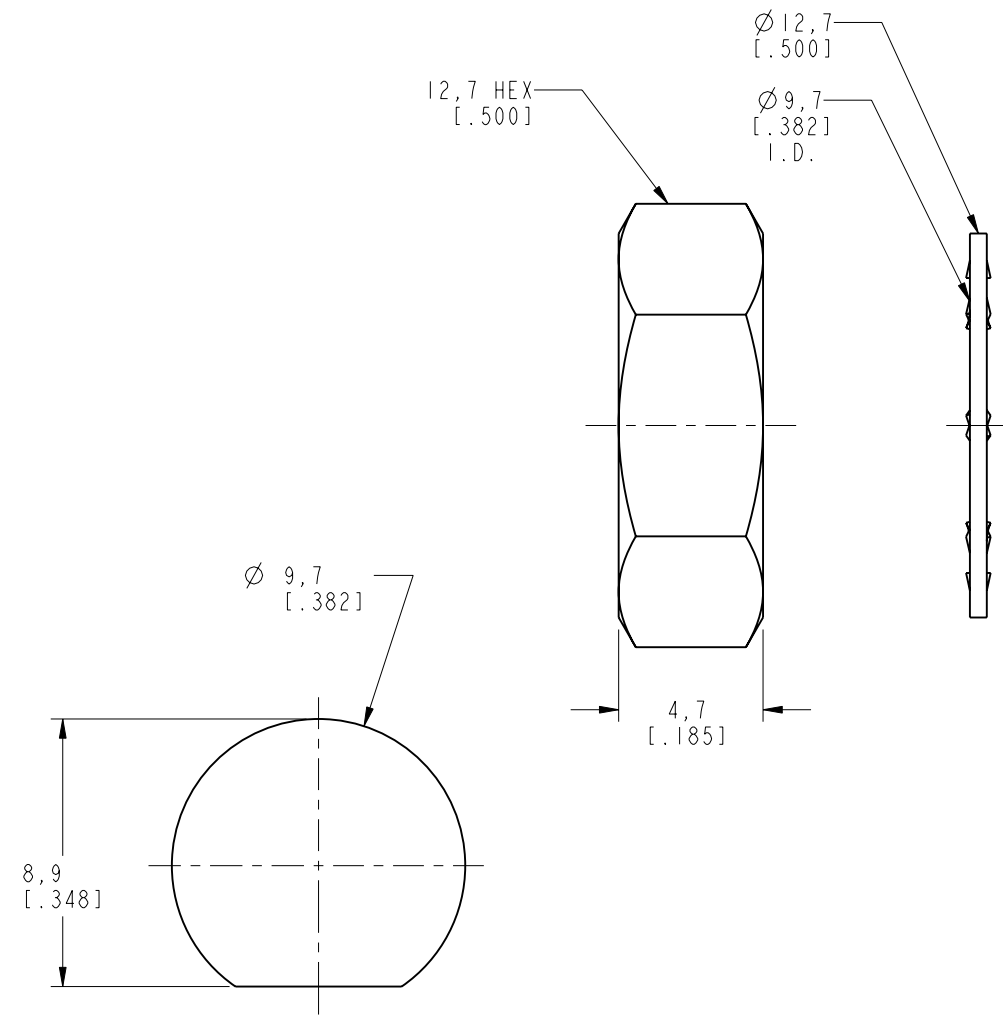


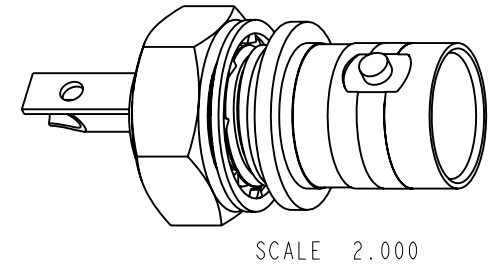
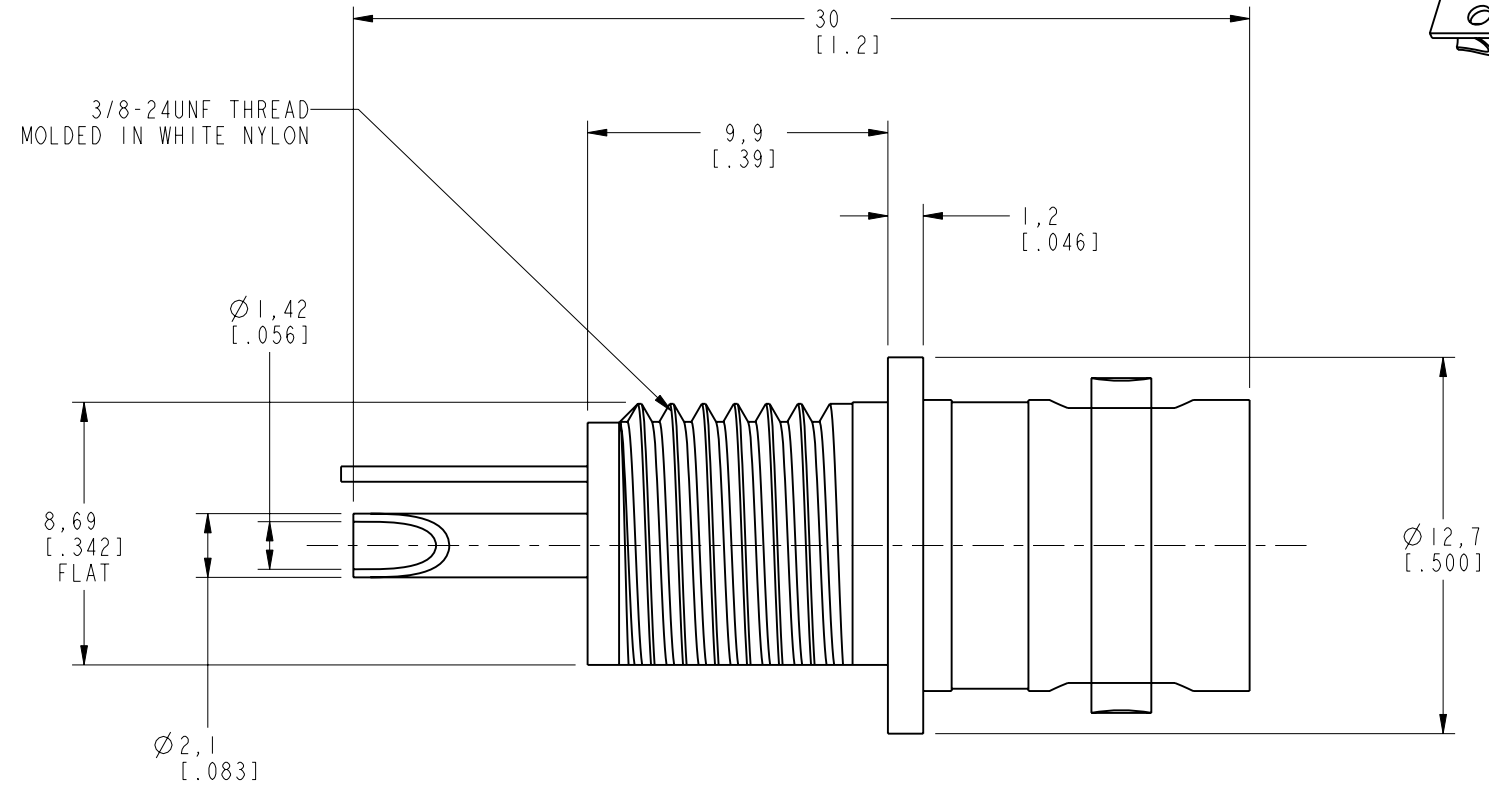
NOTES:

- MATERIALS OF CONSTRUCTION:
 BODY & HEX NUT = BRASS (QQ-B-626), NICKEL PLATED
 LOCKWASHER & LOCK RING = BRASS (QQ-B-613), NICKEL PLATED
 BRAID GROUNDING = BRASS (QQ-B-613), BRIGHT TIN PLATED
 CONTACT PIN = PHOSPHOR BRONZE, SILVER PLATED
 INSULATOR = NYLON, COLOR WHITE
- RECOMMENDED TORQUE: A MAXIMUM TORQUE OF 12 INCH-LBS MAY BE APPLIED ON HEX NUT WHEN MOUNTING CONNECTOR IN PANEL.

31-10-RFX		REVISIONS			
DRAWING NO.	REV	DESCRIPTION	DATE	ECO	APPR
THIRD ANGLE PROJ.	--	RELEASE TO MFG.			
	F	SEE SHEET I	10/2/00	43458	CPM
	G	SEE SHEET I	2/12/07	46440	CPM



RECOMMENDED MOUNTING HOLE DIMENSIONS
SCALE 4.000



THIS CONNECTOR IS COVERED BY U.S. PATENT 3,396,132

CUSTOMER OUTLINE DRAWING
ALL OTHER SHEETS ARE FOR INTERNAL USE ONLY

UNLESS OTHERWISE SPECIFIED, DIMENSIONS ARE IN MM (INCHES) AND TOLERANCES ARE:
 0.5 - 6mm ±0.2mm 6 - 30mm ±0.4mm 30 - 120mm ±0.6mm

NOTICE - These drawings, specifications, or other data (1) are, and remain the property of Amphenol Corp. (2) must be returned upon request; and (3) are confidential and not to be disclosed to any person other than those to whom they are given by Amphenol Corp. The furnishing of these drawings, specifications, or other data by Amphenol Corp., or to any other person to anyone for any purpose is not to be regarded by implication or otherwise in any manner licensing, granting rights or permitting such holder or any other person to manufacture, use or sell any product, process or design, patented or otherwise, that may in any way be related to or disclosed by said drawings, specifications, or other data.

MATERIAL	DRAWN	DATE	TITLE
	C. McGRATH	7/24/00	BNC BULKHEAD RECEPTACLE ISOLATED JACK
REFERENCE	ENGINEER	DATE	
EAR 962370-0 & 967598-0 GEN# ASSYF14_BNC	T. AUBIN	7/24/00	
	APPROVED	DATE	
	T. AUBIN	9/13/00	
	CAD FILE	CODE ID	DWG SIZE
	I:\BNC\31-10-RFX	74868	B

DRAWING NO.	DATE	ECO	APPR
31-10-RFX	7/24/00		

DRAWING NO.	DATE	ECO	APPR
31-10-RFX	7/24/00		

Amphenol Amphenol Corporation Communication and Network Products Division Danbury, CT U.S.A. 06810	
SCALE: 4.0:1	SHEET 2 OF 2
DRAWING NO.	REV
31-10-RFX	G