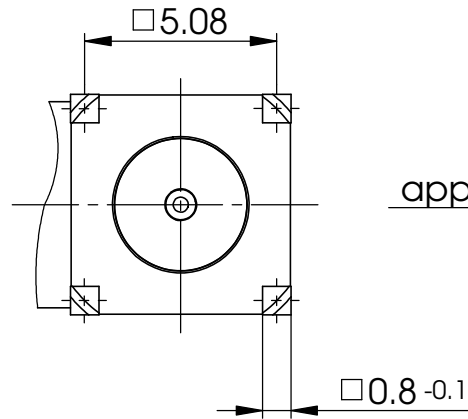
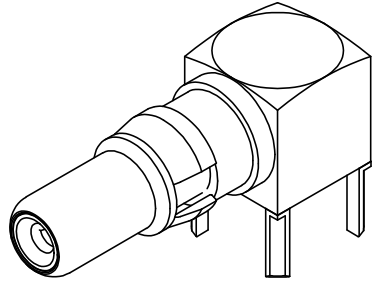
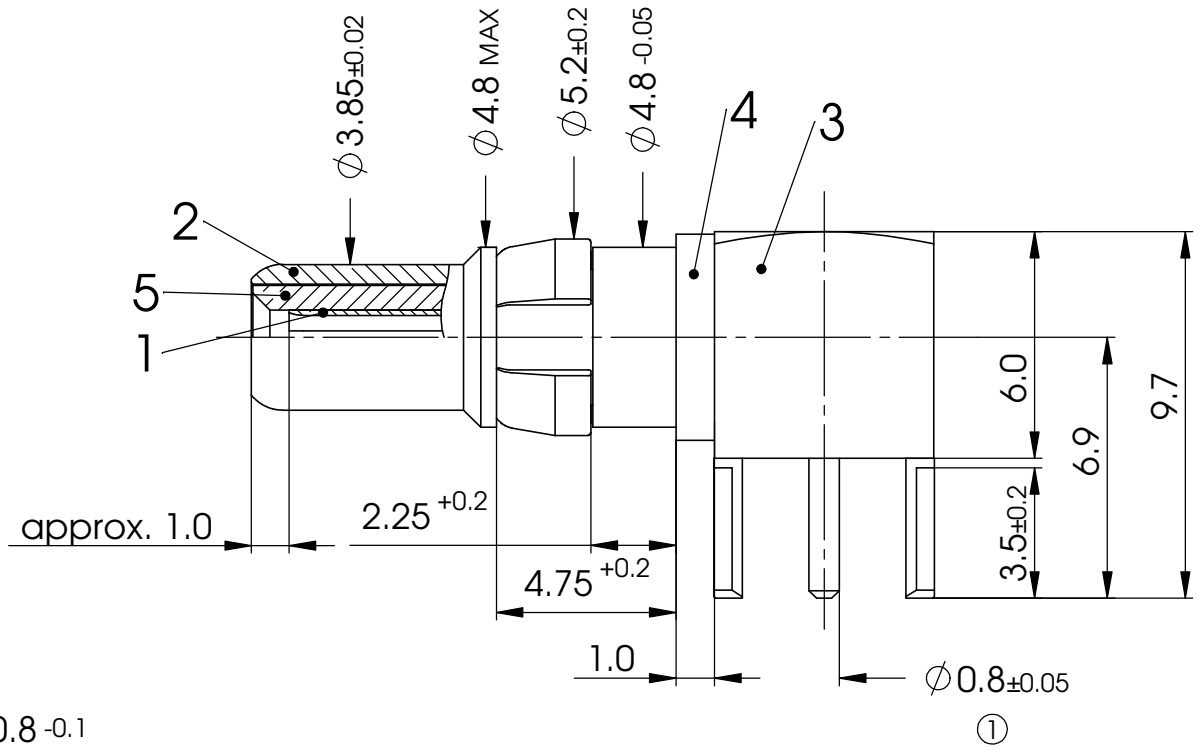
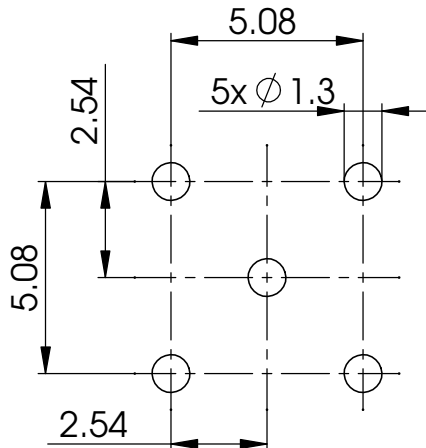


COMMENT:
 ALL RIGHTS ARE RESERVED BY US FOR THIS DRAWING. WITHOUT OUR PRIOR CONSENT,
 IT MAY NEITHER BE DUPLICATED NOR MADE AVAILABLE TO A THIRD PARTY,
 AND IT ALSO MAY NOT BE IMPROPERLY USED BY THE RECEIVER, OR A THIRD PARTY.



PCB-Layout



IMPEDANCE		50 Ohm	<i>COAXIAL CONTACT</i>		SCALE	CABLE	
FOR		D-SUB			5:1		
DIMENSIONS IN MM			DRAWN	DATE	NAME		
MATERIAL + FINISH SEE EXTRA SHEET			CHECKED	02-06-2006	msteinbrueck		
UNLESS OTHERWISE SPECIFIED DIMENSIONS FOR REFERENCE ONLY		 www.fctgroup.com		PART NO.		REV.	
				FME009P		1	
1	02-06-2006	11341	ORIGINAL: DIN A4-DRAWING AS A FILE		REPLACEMENT FOR:		PAGE: 1/1
REV.	DATE	INDEX					