



**Mallory Sonalert Products, Inc.**

Part #:

**SC628AN-BTR**

**Sales Outline Drawing**

Revision:

**B**

**Specifications:**

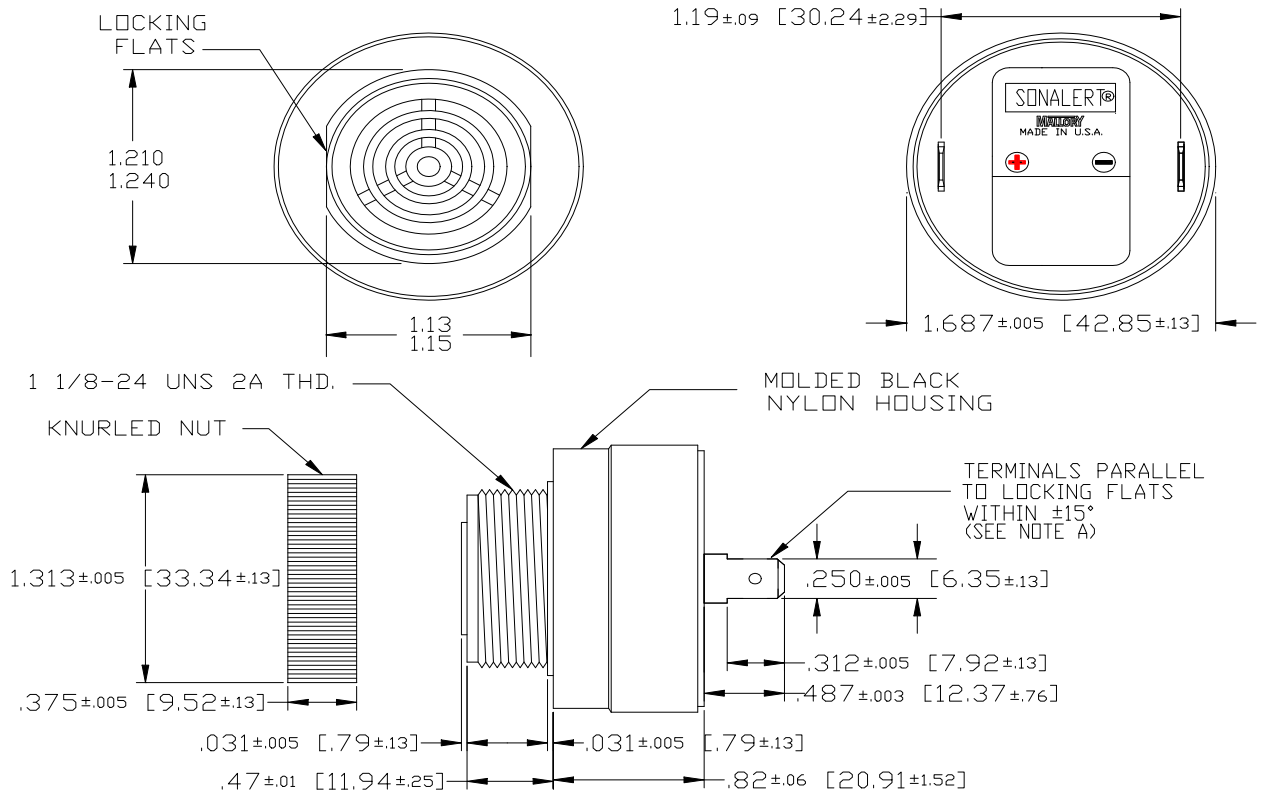
Sound Level Category	Loud
Mode of Operation	Continuous
Voltage Rating	6 to 28 VAC/DC
Frequency	2900 ± 500 Hz
Loudness @ 2 FT	88 to 101 dB(A) Typ.
Loudness @ Min V	80 dB(A) @ 2 Feet and 7.5 Vac/dc
Loudness @ Max V	95 dB(A) @ 2 Feet and 28 Vac/dc
Current Draw	4-30 mA
Housing Material	6/6 Nylon, Color: Black
Storage Temperature	-40° to +85° C
Operating Temperature	-30° to +65° C
Panel Mounting	Recommended hole size is 1.25"(31.75mm). Thread front will fit standard 30mm(1.181") hole.
Knurled Nut	Used to attach part to panel. The max recommended torque is 10 in-lbs.
Weight (Typical)	1.6 oz (45g)
NEMA 3R,4X, & 12	Approved with use of ACC03.
Options	Please contact factory.

**Dimensions:**

Inches (mm)

**cUL Recognized**

**ROHS Compliant**



MOUNTING: REMOVE BLACK PLASTIC NUT AND INSERT THREADED FRONT THROUGH 1.25" HOLE PUNCHED IN PANEL, IF ORIENTATION IS NEEDED, NOTE LOCKING FLATS ON DRAWING. SCREW NUT BACK ON. DO NOT OVERTIGHTEN.