

PART NUMBER CODING

E140DHHN-T9_1

MATERIAL (INSULATOR / CONTACT)

N= NYLON 9T / PHOSPHOR BRONZE
G= NYLON 9T / PHOSPHOR BRONZE
('N' & 'G' ARE EQUIVALENT)

PLATING

(ALL PLATINGS ARE LEAD FREE AND HAVE 50μ" NICKEL UNDERPLATE)

CONTACT SURFACE	TERMINATION
W = GOLD FLASH	.000100" PURE TIN, MATTE
B = .000010" GOLD	.000100" PURE TIN, MATTE
C = .000030" GOLD	.000100" PURE TIN, MATTE

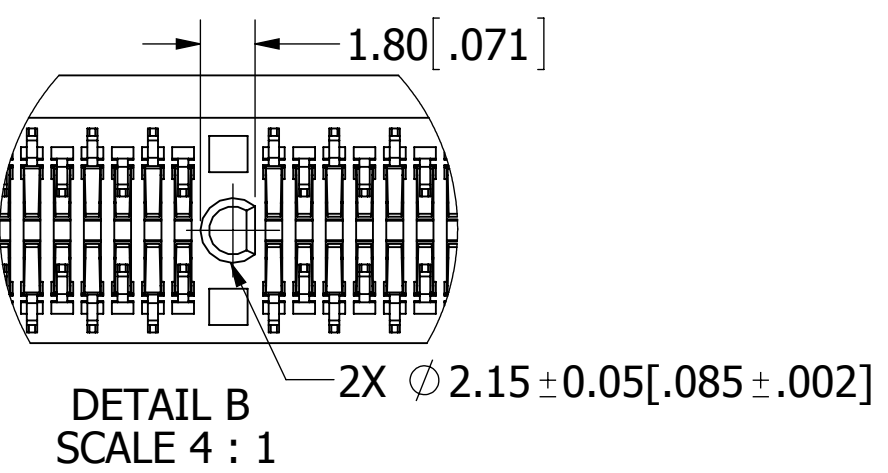
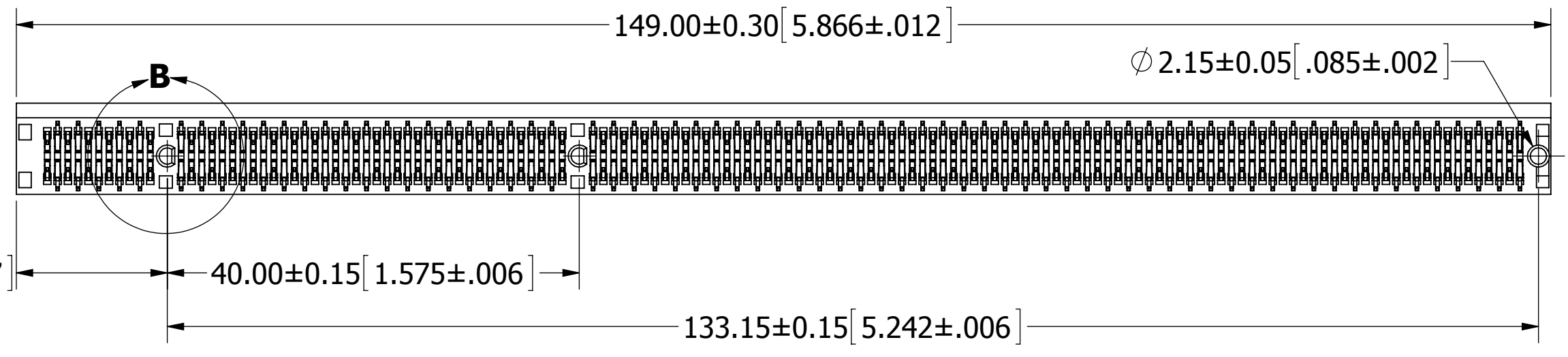
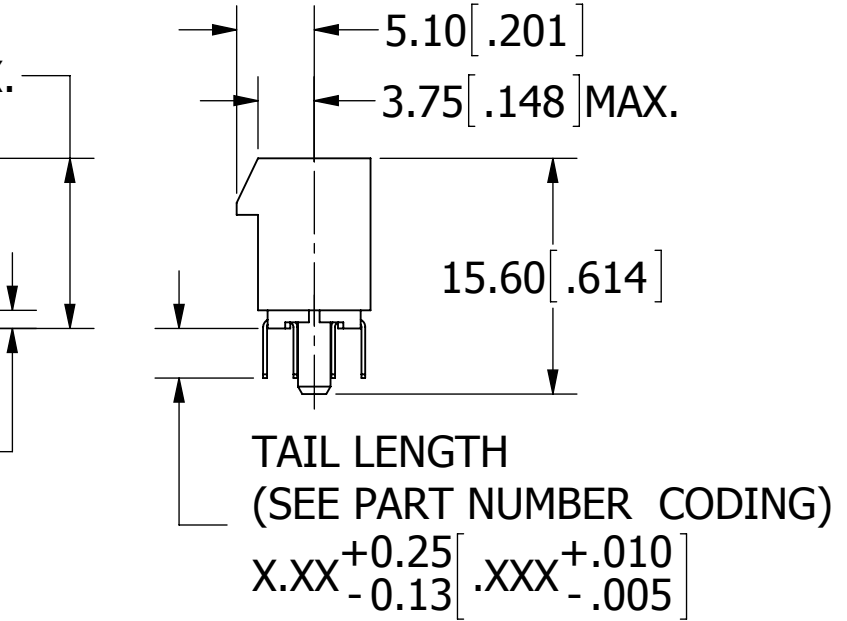
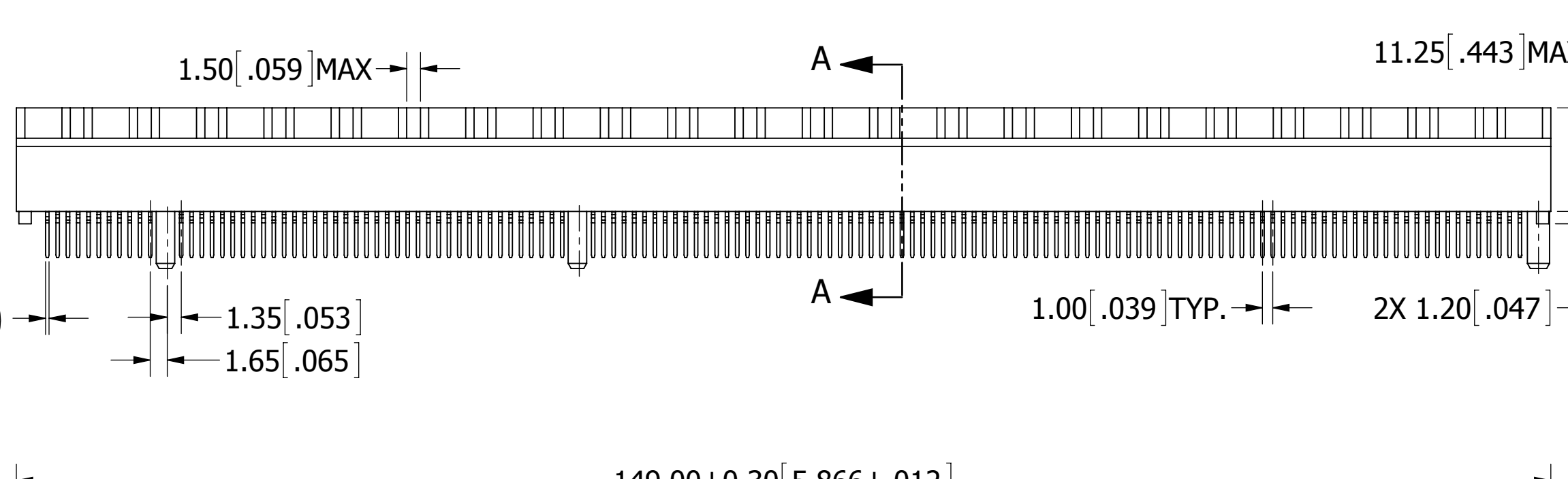
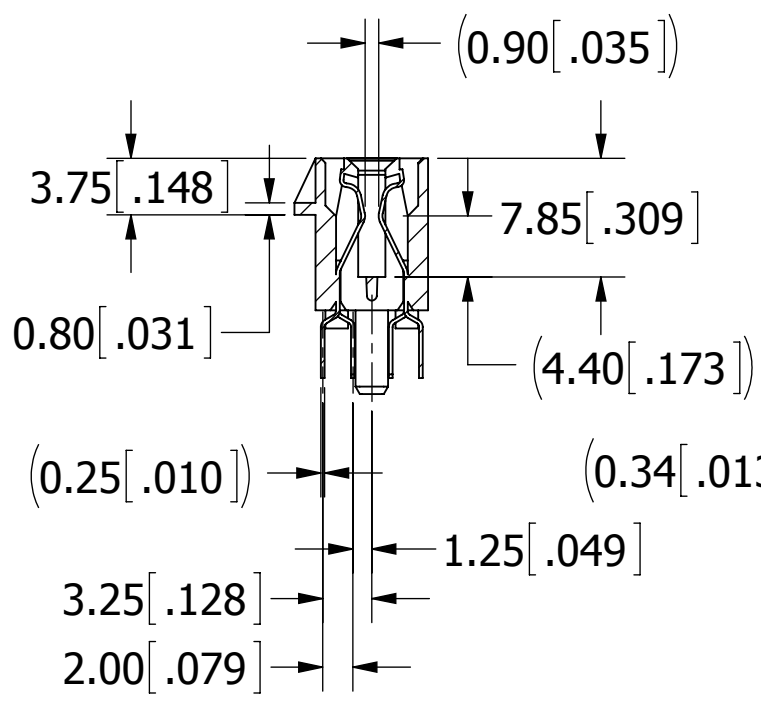
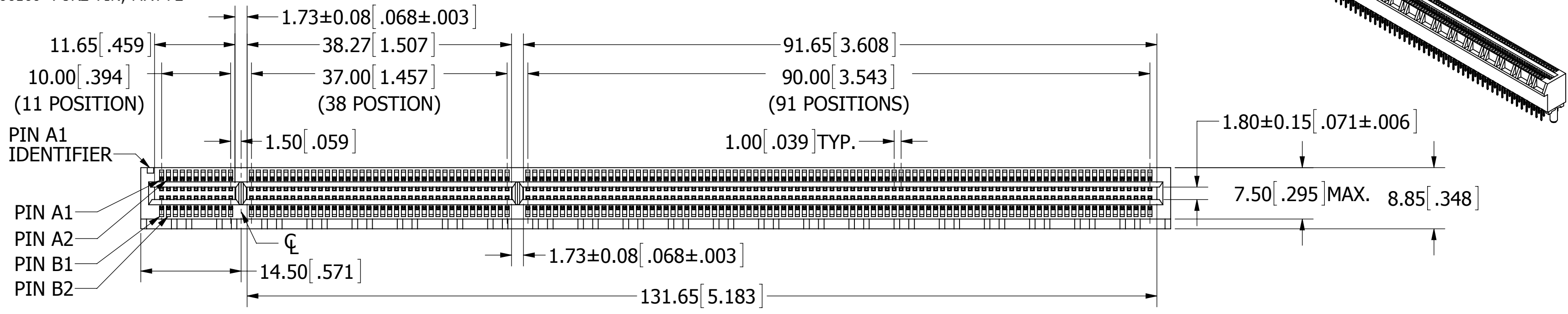
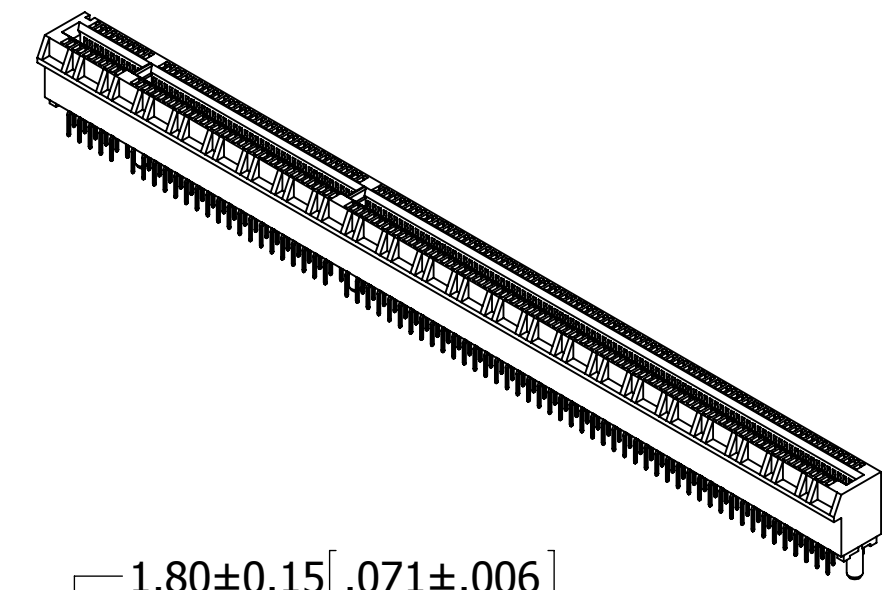
COLOR

1= BLACK

TAIL LENGTH

1=2.30[.091] (FOR 1.57[.062] PCB)
2=2.54[.100] (FOR 1.57[.062] PCB)
3=3.10[.122] (FOR 2.36[.093] PCB)

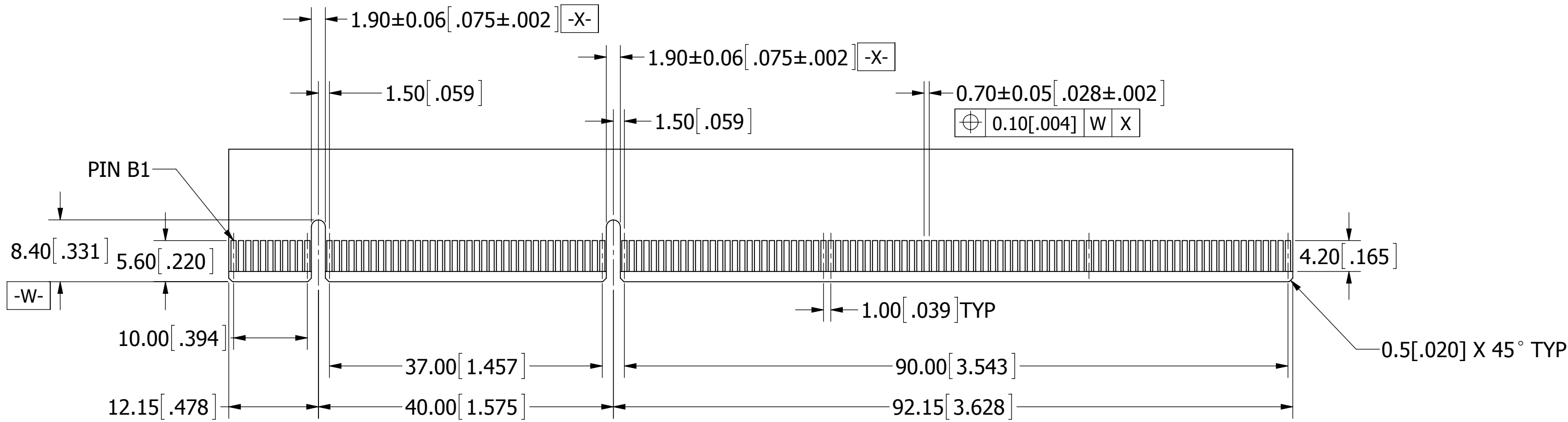
REVISIONS				
REV.	ECO. NO	DESCRIPTION	DATE	BY
E	2704	ADD TAIL LENGTH OPTION 1(2.30mm)	12/10/2012	LH
F	2740	REPLACE NYLON 46 WITH NYLON 9T, REMOVE INSULATOR WHITE COLOR & UPDATED NOTES, TAIL LENGTH 3.10mm(WAS 3.00), ADD TAIL LENGTH & BOTTOM VIEW DIMENSION TOLERANCES	05/20/2013	LH



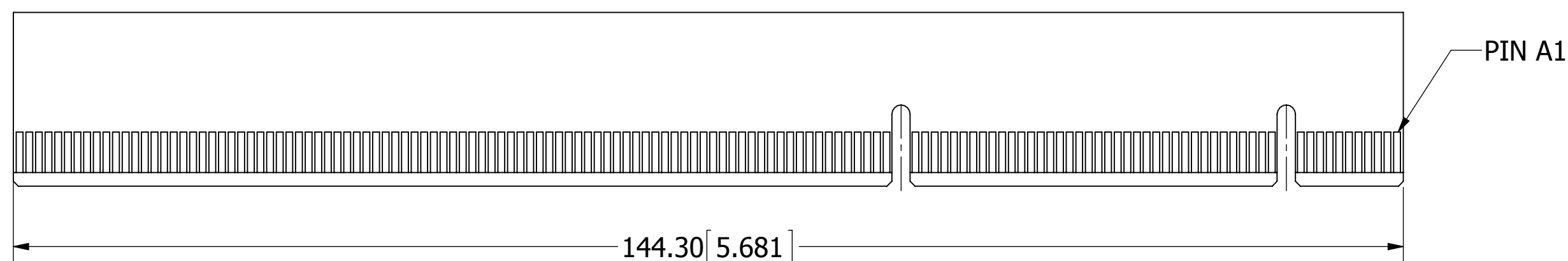
- NOTES:**
1. INSULATOR MATERIAL: NYLON 9T, UL 94V-0.
 2. CONTACT MATERIAL: PHOSPHOR BRONZE.
 3. CONTACT PLATING: SEE PART NUMBER CODING.
 4. CURRENT RATING: 1.1 AMP PER CONTACT.
 5. VOLTAGE RATING: 50 VAC
 6. INSULATOR RESISTANCE: 1000 MEGOHMS MIN.
 7. CONTACT RESISTANCE: 30 MILLI OHMS MAX.
 8. DIELECTRIC WITHSTANDING: 500 VAC.
 9. OPERATING TEMPERATURE: -10° C TO +85° C.
 10. PROCESSING TEMP: 260° C FOR 10 SEC. MAX.
 11. INSERTION FORCE: 117.3gf (1.15 N) MAX PER CONTACT PAIR USING A 1.70 mm (.067") STEEL CARD.
 12. WITHDRAWAL FORCE: 15.31gf (0.15 N) MIN PER CONTACT PAIR USING A 1.44 mm (.057") STEEL CARD.



UNLESS OTHERWISE SPECIFIED: DIMENSIONS ARE IN MM[INCHES]	DRAWN	DATE	NAME	
		06/24/2009	JH	
TOLERANCES: ANGULAR: ± 3° DECIMALS .X= ± 0.35 [.014] .XX= ± 0.25 [.010] .XXX= ± 0.080 [.0031]	THE INFORMATION HEREIN CONTAINS PROPRIETARY INFORMATION OF SULLINS ELECTRONICS AND IS NOT TO BE REPRODUCED, USED OR DISCLOSED TO OTHERS FOR ANY PURPOSE EXCEPT AS SPECIFICALLY AUTHORIZED IN WRITING BY AN OFFICER OF SULLINS ELECTRONICS.			TITLE PCI EXPRESS, 1mm CC, 140P, DIP SOLDER(GEN 1) PART NUMBER E140DHHN-T9_1
	SIZE C	CAGE CODE 54453	DWG. NO. 11040	REV F

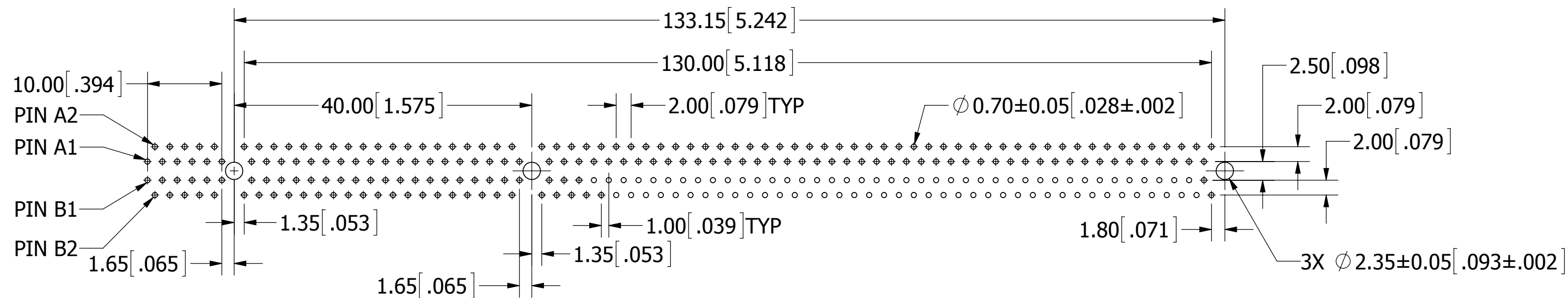
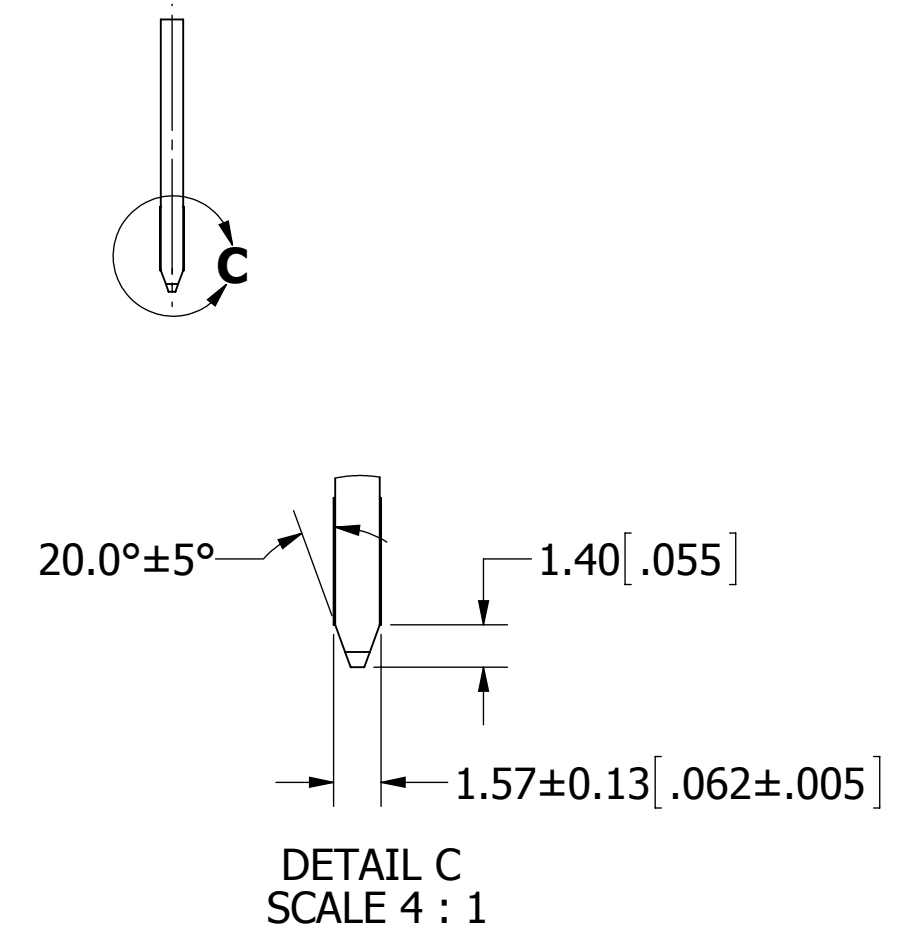


**I/O PANEL DIRECTION
PRIMARY (COMPONENT) SIDE**



**I/O PANEL DIRECTION
SECONDARY (SOLDER) SIDE**

ADD-IN CARD EDGE-FINGER DIMENSIONS



RECOMMENDED PCB LAYOUT



UNLESS OTHERWISE SPECIFIED: DIMENSIONS ARE IN MM[INCHES]	DRAWN	DATE	NAME			
		06/24/2009	JH			
TOLERANCES: ANGULAR: $\pm 3^\circ$ DECIMALS .X = ± 0.35 [.014] .XX = ± 0.25 [.010] .XXX = ± 0.080 [.0031]	THE INFORMATION HEREIN CONTAINS PROPRIETARY INFORMATION OF SULLINS ELECTRONICS AND IS NOT TO BE REPRODUCED, USED OR DISCLOSED TO OTHERS FOR ANY PURPOSE EXCEPT AS SPECIFICALLY AUTHORIZED IN WRITING BY AN OFFICER OF SULLINS ELECTRONICS.			TITLE PCI EXPRESS, 1mm CC, 140P, DIP SOLDER(GEN 1)		
	PART NUMBER _E140DHHN-T9_1			SIZE C	CAGE CODE 54453	DWG. NO. 11040
SCALE: 2:1		SHEET 2 OF 2				