

RJ45 male insert - VS-08-ST-H21P-RJ45 - 1404388


Please be informed that the data shown in this PDF Document is generated from our Online Catalog. Please find the complete data in the user's documentation. Our General Terms of Use for Downloads are valid (<http://phoenixcontact.com/download>)



RJ45 male insert, CAT6, 8-pos., shielded, IDC pierce connection, for AWG 27 litz wires ... 24, with strain relief



Key Commercial Data

Packing unit	5 pc
Minimum order quantity	5 pc
GTIN	 4 046356 313230
GTIN	4046356313230

Technical data

Mechanical characteristics

Number of positions	8
Connection profile	RJ45
Shielded	yes
Insertion/withdrawal cycles	≥ 750
Connection method	IDC connection technology
Type of contact	Crimp contacts
Conductor cross section	0.1 mm ² ... 0.2 mm ² (flexible)
Connection cross section AWG	27 ... 24 (flexible)
Cable outlet	straight
Color	red
Wire diameter including insulation	0.9 mm ... 1 mm
Insulation resistance	min. 100 MΩ (100 V DC)
Degree of protection	IP20
No. of cable outlets	1

Ambient conditions

Ambient temperature (operation)	-25 °C ... 60 °C
---------------------------------	------------------

RJ45 male insert - VS-08-ST-H21P-RJ45 - 1404388

Technical data

Material data

Flammability rating according to UL 94	V2
Contact carrier material	PC
Contact material	Phosphor bronze
Contact surface material	Gold
Height	13.5 mm

Electrical characteristics

Rated voltage (III/3)	72 V (DC)
Rated current	1 A
Insulation resistance	min. 100 MΩ (100 V DC)
Frequency range	to 250 MHz
Transmission characteristics (category)	CAT6

Standards and Regulations

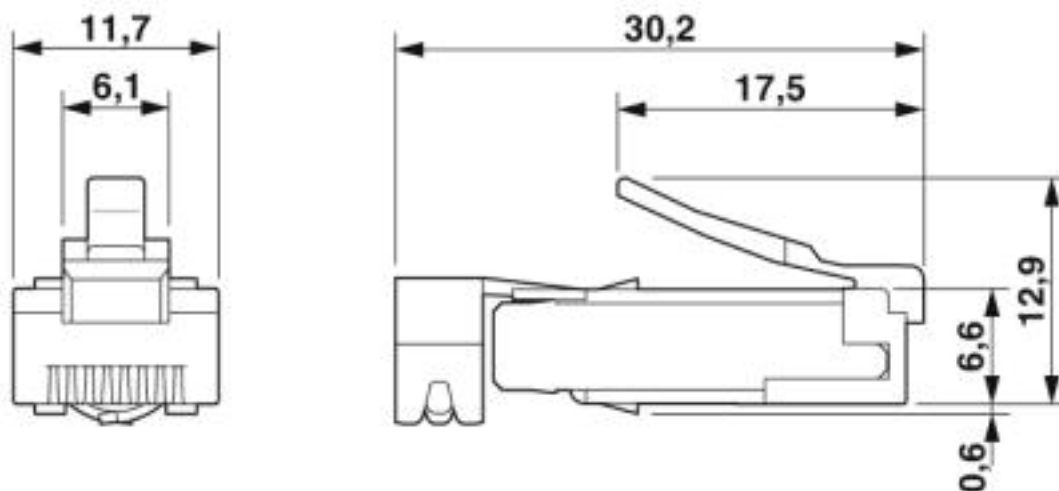
Flammability rating according to UL 94	V2
--	----

Environmental Product Compliance

China RoHS	Environmentally friendly use period: unlimited = EFUP-e
	No hazardous substances above threshold values

Drawings

Dimensional drawing



RJ45 male insert

Approvals

Approvals

RJ45 male insert - VS-08-ST-H21P-RJ45 - 1404388


Approvals

Approvals

EAC

Ex Approvals

Approval details

EAC		B.01742
-----	---	---------

Phoenix Contact 2019 © - all rights reserved
<http://www.phoenixcontact.com>

PHOENIX CONTACT GmbH & Co. KG
Flachsmarktstr. 8
32825 Blomberg
Germany
Tel. +49 5235 300
Fax +49 5235 3 41200
<http://www.phoenixcontact.com>