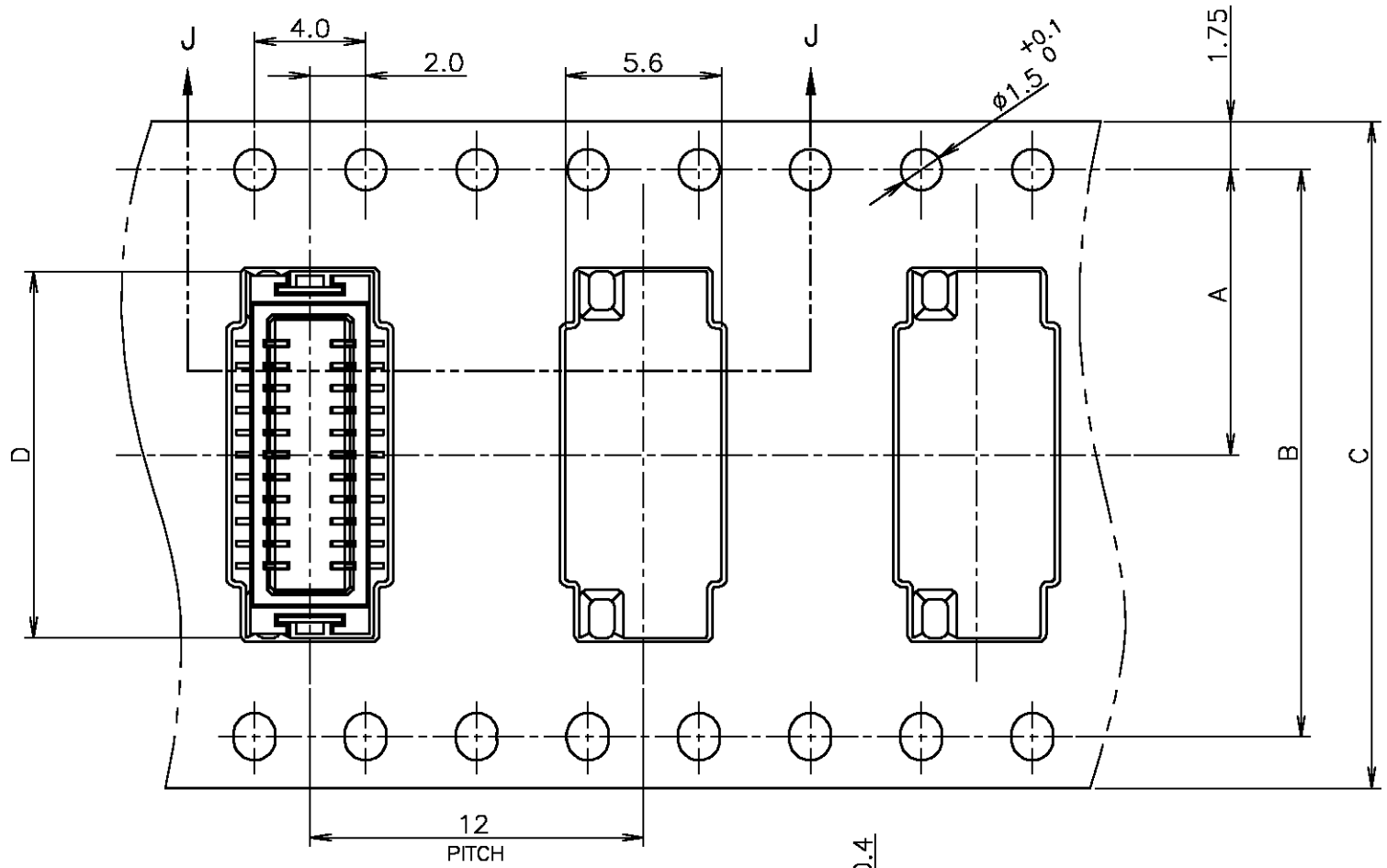
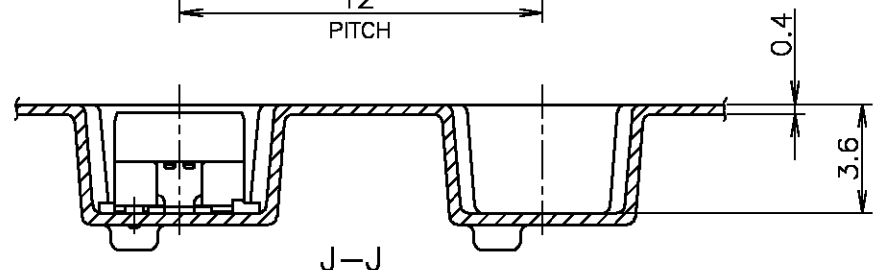


THIS DRAWING IS UNPUBLISHED. RELEASED FOR PUBLICATION DEC, 2004.  
 © COPYRIGHT 2004 BY TYCO ELECTRONICS CORPORATION. ALL RIGHTS RESERVED.

| LOC | DIST | REVISIONS |     |                       |         |     |      |
|-----|------|-----------|-----|-----------------------|---------|-----|------|
|     |      | P         | LTR | DESCRIPTION           | DATE    | DWN | APVD |
| J   |      | 0         |     | RELEASED FJB0-1439-04 | 27DEC04 | M.I | T.K  |

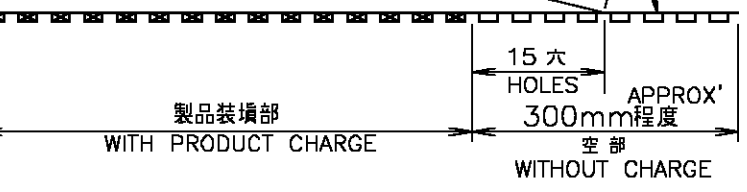
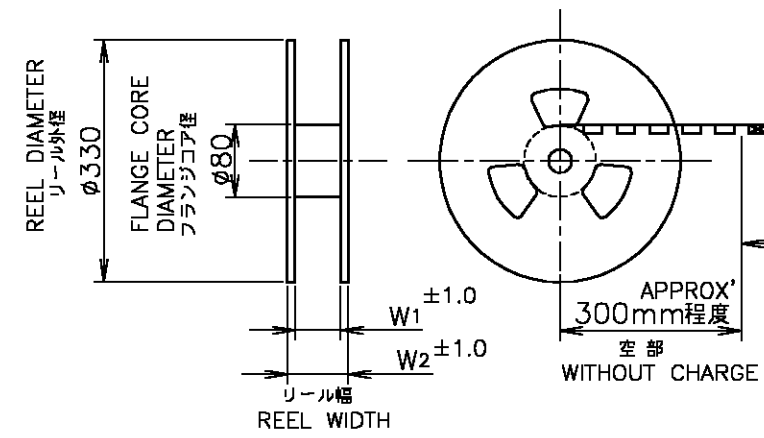


テープ幅  
TAPE WIDTH



引出し方向  
TOP OF REEL →

カバーテープ  
リーダー部  
外周一巻  
WEEDING THE COVER TAPE  
AROUND THE OUTER  
PERIPHERY IN  
A TURN.  
剥離角度, 165°~180°  
PEELING ANGLE.



|      |      |      |    |      |      |                |           |                              |
|------|------|------|----|------|------|----------------|-----------|------------------------------|
| 48.7 | 45.5 | 23.8 | 44 | 40.4 | 20.2 | 1000           | 50        | 5-5316466-0                  |
| W2   | W1   | D    | C  | B    | A    | 数量<br>QTY/REEL | 極数<br>POS | リール巻<br>コネクタ型番<br>TAPING P/N |

THIS DRAWING IS A CONTROLLED DOCUMENT.

|                               |   |
|-------------------------------|---|
| DWN<br>M.IWASAKI<br>27DEC04   | <b>tyco</b><br>Electronics<br>Tyco Electronics AMP K.K.<br>Kawasaki, Japan      |
| CHK<br>Y.NAKAZAWA<br>27DEC04  |   |
| APVD<br>T.KUSUHARA<br>27DEC04 | NAME<br>名称  |
| PRODUCT SPEC<br>製品規格          | ON TAPING EMBOSS<br>0.8mm PITCH FINE MATE CONN<br>TAB ASSEMBLY WITH BOSS V-TYPE |
| APPLICATION SPEC<br>取付適用規格    | SIZE<br>A3  |
| WEIGHT                        | CAGE CODE<br>00779  |
| MATERIAL<br>材料                | DRAWING NO<br>C-5316466   |
| FINISH<br>仕上                  | RESTRICTED TO   |

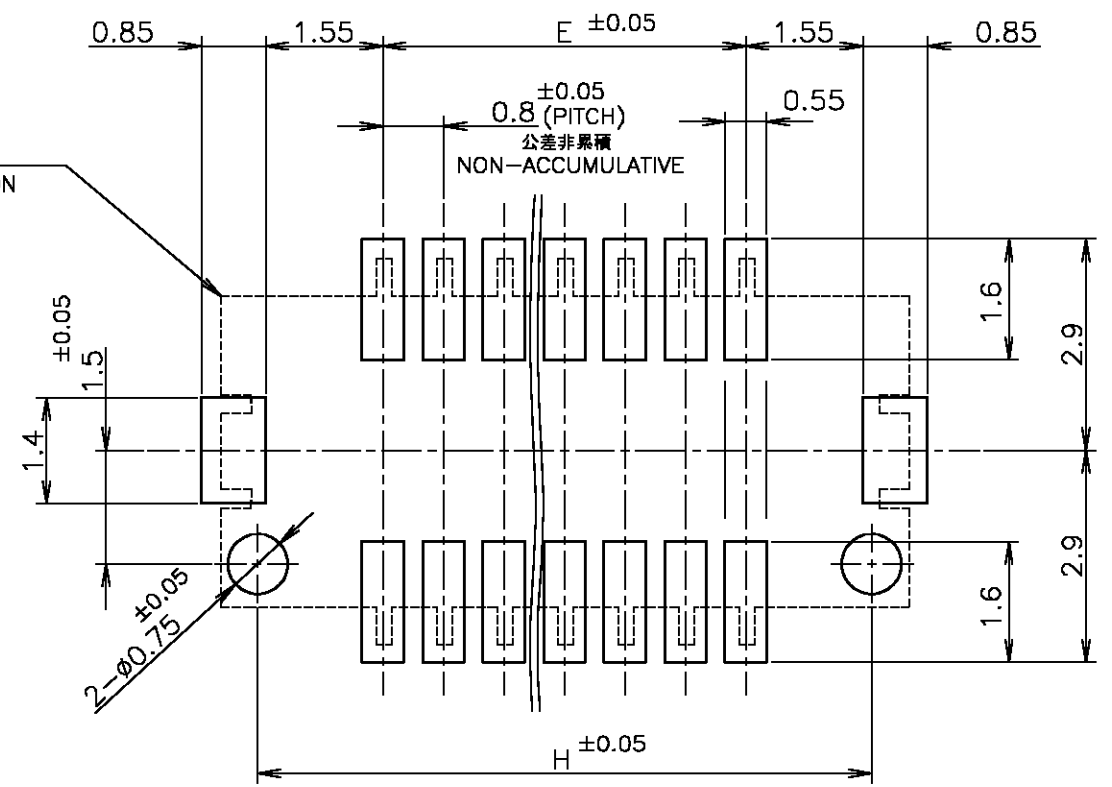
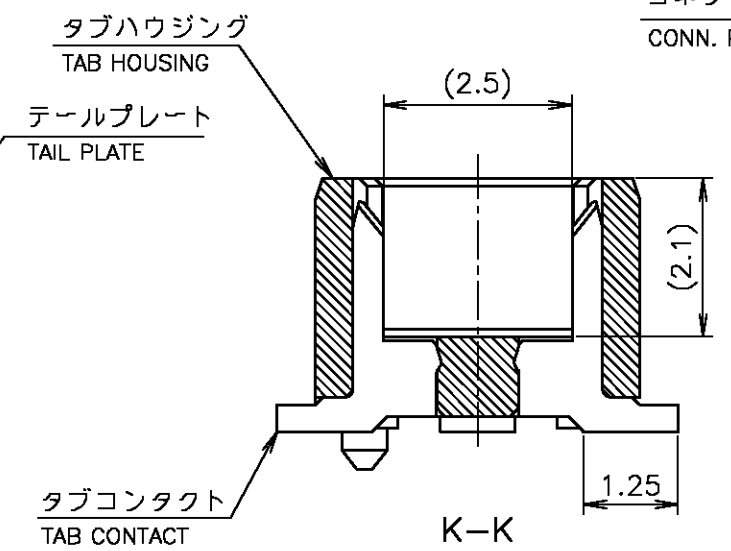
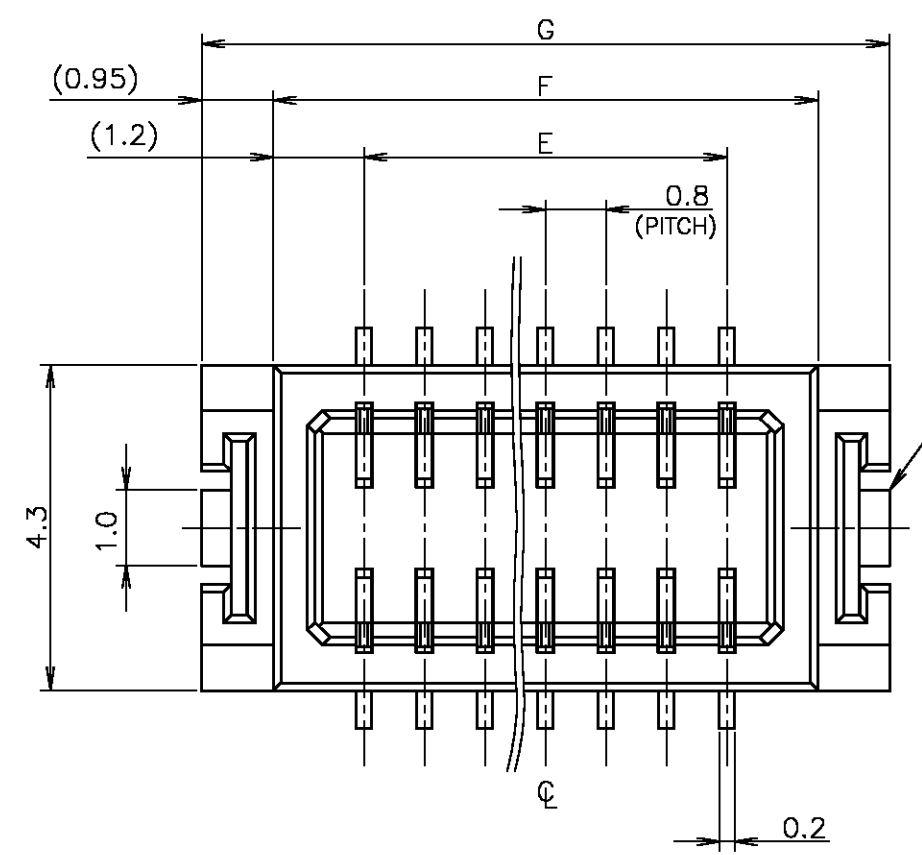
CUSTOMER DRAWING

SCALE 4:1 SHEET 1 OF 2 REV 0

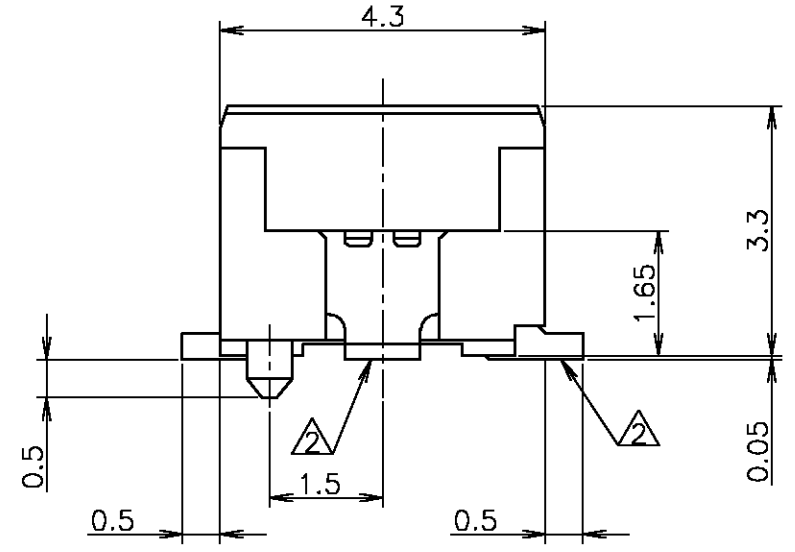
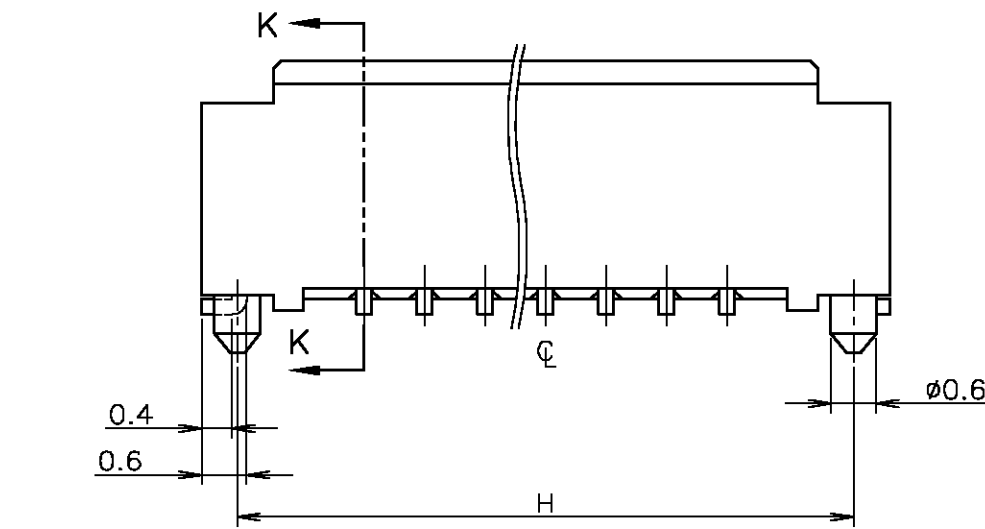
GENERAL TOLERANCE  
一般公差

10 ≥ : ±0.2  
30 ≥ > 10: ±0.25  
100 ≥ > 30: ±0.3  
ANGLES: ±3'

本図: コネクタ図  
AS SHOWN: CONNECTOR DWG



参考基板加工寸法  
REFERENCE P.C BOARD LAYOUT



- 1 材料: タブハウジング: 46ナイロン (耐熱性樹脂)
- タブコンタクト: 銅合金 (t=0.2mm) 金めっき
- テールプレート: 銅合金 (t=0.2mm) 錫めっき

△ 全てのタイン部及びテールプレートのバラツキは 0.1mm MAX.

- 1 MATERIAL
- TAB HOUSING: 46 NYLON (HIGH HEAT-RESISTED RESIN)
- TAB CONTACT: COPPER-ALLOY (t=0.2mm) Au PLATING
- TAIL PLATE: COPPER-ALLOY (t=0.2mm) TIN PLATING

△ MISALIGNMENT BETWEEN TAINS AND TAIL PLATE: 0.1mm MAX.

GENERAL TOLERANCE 一般公差

|             |       |
|-------------|-------|
| 10 ≥ :      | ±0.2  |
| 30 ≥ > 10:  | ±0.25 |
| 100 ≥ > 30: | ±0.3  |
| ANGLES: ±3° |       |

THIS DRAWING IS A CONTROLLED DOCUMENT.

|                            |   |
|----------------------------|---|
| DIMENSIONS:<br>単位: 筈<br>mm | TOLERANCES UNLESS<br>OTHERWISE SPECIFIED:<br>一般公差 |
|                            | 0 PLC ±   |
|                            | 1 PLC ±   |
|                            | 2 PLC ±   |
|                            | 3 PLC ±   |
|                            | 4 PLC ±   |
| MATERIAL<br>材料             | FINISH<br>仕上                                      |

|                            |          |   |           |                  |               |           |             |
|----------------------------|----------|---|-----------|------------------|---------------|-----------|-------------|
| INSTRUCTION SHEET<br>取扱説明書 | 411-5808 | 22.55   | 23.5      | 21.6             | 19.2          | 50        | 5-5316466-0 |
| DWN                        |          | H   | G         | F                | E             | 極数<br>POS | 型番 PART NO  |
| CHK                        |          | Tyco Electronics AMP K.K.<br>Kawasaki, Japan  |           |                  |               |           |             |
| APVD                       |          | NAME<br>名称<br>ON TAPING EMBOSS<br>0.8mm PITCH FINE MATE CONN<br>TAB ASSEMBLY WITH BOSS V-TYPE |           |                  |               |           |             |
| PRODUCT SPEC<br>製品規格       | 108-5512 | SIZE  | CAGE CODE | DRAWING NO<br>番号 | RESTRICTED TO |           |             |
| APPLICATION SPEC<br>取付適用規格 |          | A3  | 00779     | C-5316466        |               |           |             |
| WEIGHT                     |          | SCALE 10:1 SHEET 2 OF 2 REV 0   |           |                  |               |           |             |
| CUSTOMER DRAWING           |          |   |           |                  |               |           |             |