

WATER-TIGHT Incandescent Indicators



T-1 3/4
MIDGET
FLANGE BASE
See lamp ratings
on page J.

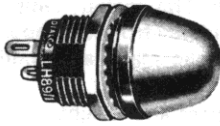
with RETAINED O-RING SEALS – TWO TERMINALS - FULLY INSULATED

WATER-TIGHT, OIL-TIGHT, DUST-TIGHT ON THE FACE OF THE PANEL

For mounting in 15/32" clearance hole

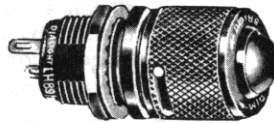
Conform to MIL-L-3661B

MOUNT IN 15/32" CLEARANCE HOLE
FRONT OF PANEL INSERTION
WITH FIXED FLANGE



367-8430-0931-503
LH89/1; LC35RN2

DIMMER TYPE

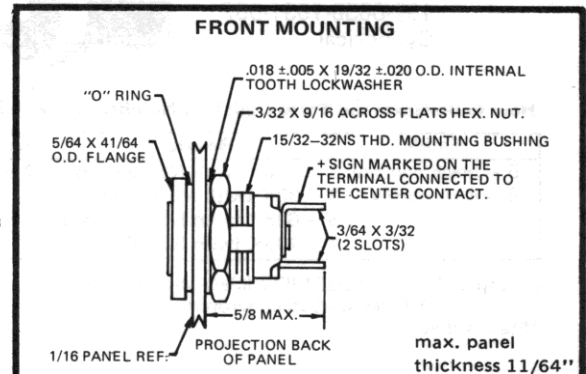


368-8430-0111-203
LH89/1; LC36RD2

Feature

- Anti-rotation (locked) construction: Provides for secure locking of the socket terminal assembly in the mounting bushing and of the center terminal to the insulating disc. The notched mounting bushing receives the matched insulating disc to prevent the rotation of the mounting bushing.

QPL Listed

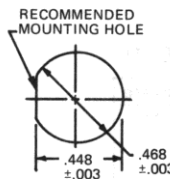


MATERIALS AND FINISHES (367 series)

- **Mounting Bushing:** Aluminum, black anodize finish.
- **Internal-tooth Lockwasher and Mounting Nut:** Steel, cadmium plated with yellow iridescent chromate finish.
- **Terminals:** Brass, hot tinned, with elongated slots.
- **Lens:** High impact plastic.

MATERIAL AND FINISHES (368 and 369 series)

- **Mounting Bushing:** Brass, black nickel finish.
- **Mounting Nut:** Brass, white nickel finish.
- **Internal-tooth Lockwasher:** Phosphor bronze, white nickel finish.
- **Terminals:** Brass, hot tinned with elongated slots.



367 SERIES
368 SERIES
369 SERIES

BASE PART NUMBER

(LH 89/1) 367-8430-09-503

| CAP PART NUMBERS | Type Desig. | Part No. | Lens Cap Color | COMPLETE ASSEMBLY PART NUMBERS |
|------------------|---|--------------|-------------------|--------------------------------|
| | Stovepipe – Non Diffusing | | | |
| | LC35RN2 | 128-0931-003 | Red | 367-8430-0931-503 |
| | LC35GN2 | 128-0932-003 | Green | 367-8430-0932-503 |
| | LC35YN2 | 128-0933-003 | Yellow (Amber) | 367-8430-0933-503 |
| | LC35BN2 | 128-0934-003 | Blue | 367-8430-0934-503 |
| | LC35CN2 | 128-0937-003 | Clear (Colorless) | 367-8430-0937-503 |
| | Stovepipe – Translucent | | | |
| | LC35RT2 | 128-0971-003 | Red | 367-8430-0971-503 |
| | LC35GT2 | 128-0972-003 | Green | 367-8430-0972-503 |
| | LC35YT2 | 128-0973-003 | Yellow (Amber) | 367-8430-0973-503 |
| | LC35BT2 | 128-0974-003 | Blue | 367-8430-0974-503 |
| | LC35WT2 | 128-0975-003 | White | 367-8430-0975-503 |
| | Convex Diffusing Complete Blackout | | | |
| | LC36RD2 | 160-0111-203 | Red | 368-8430-0111-203 |
| | LC36GD2 | 160-0112-203 | Green | 368-8430-0112-203 |
| | LC36YD2 | 160-0113-203 | Yellow (Amber) | 368-8430-0113-203 |
| | LC36BD2 | 160-0114-203 | Blue | 368-8430-0114-203 |
| | LC36CD2 | 160-0117-203 | Clear (Colorless) | 368-8430-0117-203 |
| | Convex Diffusing Semi-Blackout | | | |
| | LC37RD2 | 161-0111-203 | Red | 369-8430-0111-203 |
| | LC37GD2 | 161-0112-203 | Green | 369-8430-0112-203 |
| | LC37YD2 | 161-0113-203 | Yellow (Amber) | 369-8430-0113-203 |
| | LC37BD2 | 161-0114-203 | Blue | 369-8430-0114-203 |
| | LC37CD2 | 161-0117-203 | Clear (Colorless) | 369-8430-0117-203 |

Part numbers shown in gray are normally in inventory at your Dialight Distributor.

Order complete with lamp to be assured of receiving the indicator light and correct lamp together for immediate use.