

V3L-2228

CATALOG LISTING

PAGE 1 OF 1

REPLACES

RELEASE NO. PR-7640

M

ISSUE

5

CHECK

REVISIONS

A	CO 93070	TSM 6 AUG 98
B	CO 93665	TSM 2 NOV 98

CHECK

6 AUG 98

J A F

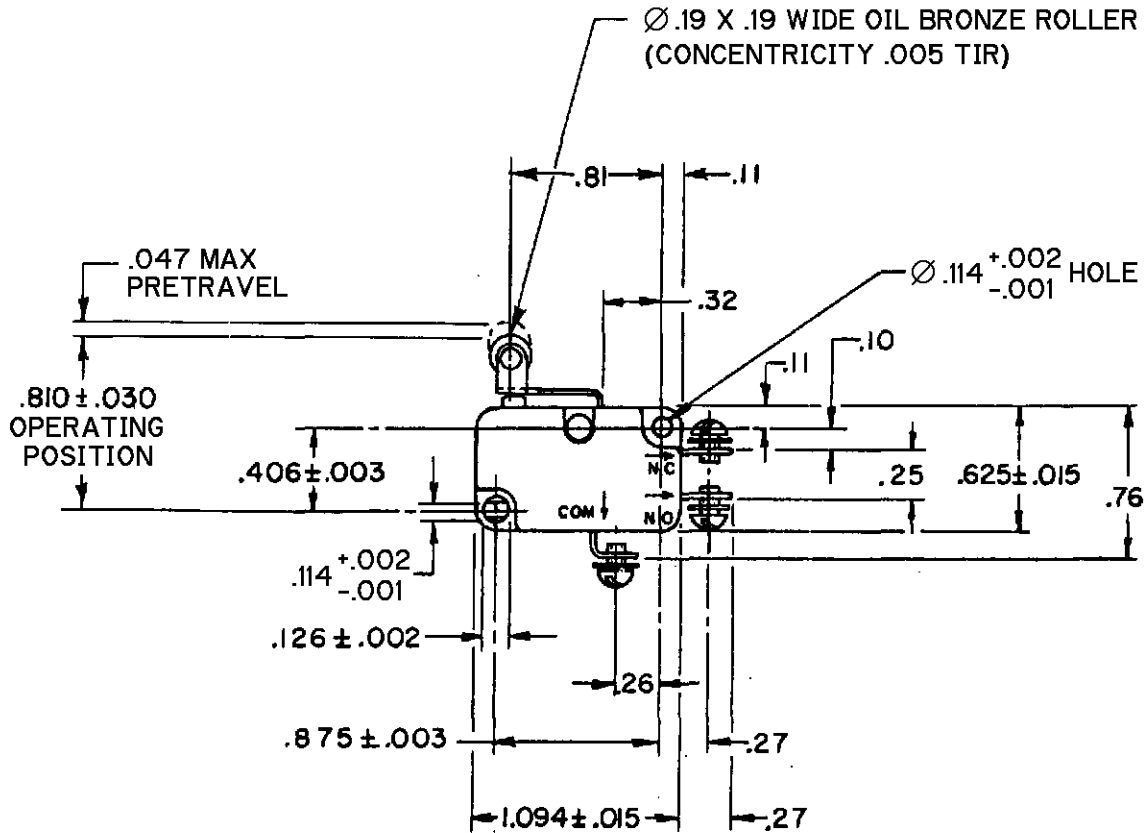
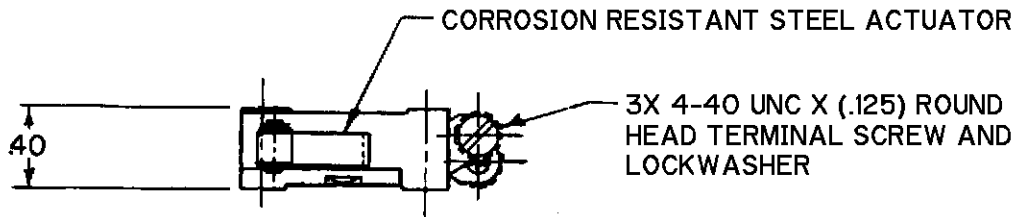
CHECK

6 AUG 98

FORMTEK

DRAWN

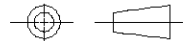
T S M



NOTE
1 - SWITCH MARKING SHALL INCLUDE "FAA-PMA"

THIS DRAWING COVERS A PROPRIETARY ITEM AND IS THE PROPERTY OF MICRO SWITCH, A DIVISION OF HONEYWELL. THIS DRAWING IS NOT TO BE COPIED OR USED WITHOUT THE APPROVAL OF MICRO SWITCH.

THIRD ANGLE PROJECTION



CHARACTERISTICS
OPERATING FORCE - - - - - 50 GRAM MAX
RELEASE FORCE - - - - - 5 GRAM MIN
DIFFERENTIAL TRAVEL - - - - .013 MAX
OVERTRAVEL - - - - - .045 MIN
RELEASE TRAVEL - - - - - .007 MIN

ELECTRICAL DATA

CONTACT ARRANGEMENT
S P D T

L131

10A-1/4HP-125 OR 250 VAC
1/2A-125 VDC; 1/4A-250 VDC
3A-125 VAC "L"



SCALE	FULL	DO NOT SCALE PRINT
UNLESS OTHERWISE SPECIFIED TOLERANCES ARE		
ONE PLACE (.0)		± .030
TWO PLACE (.00)		± .015
THREE PLACE (.000)		± .005
ANGLES		±
WEIGHT		