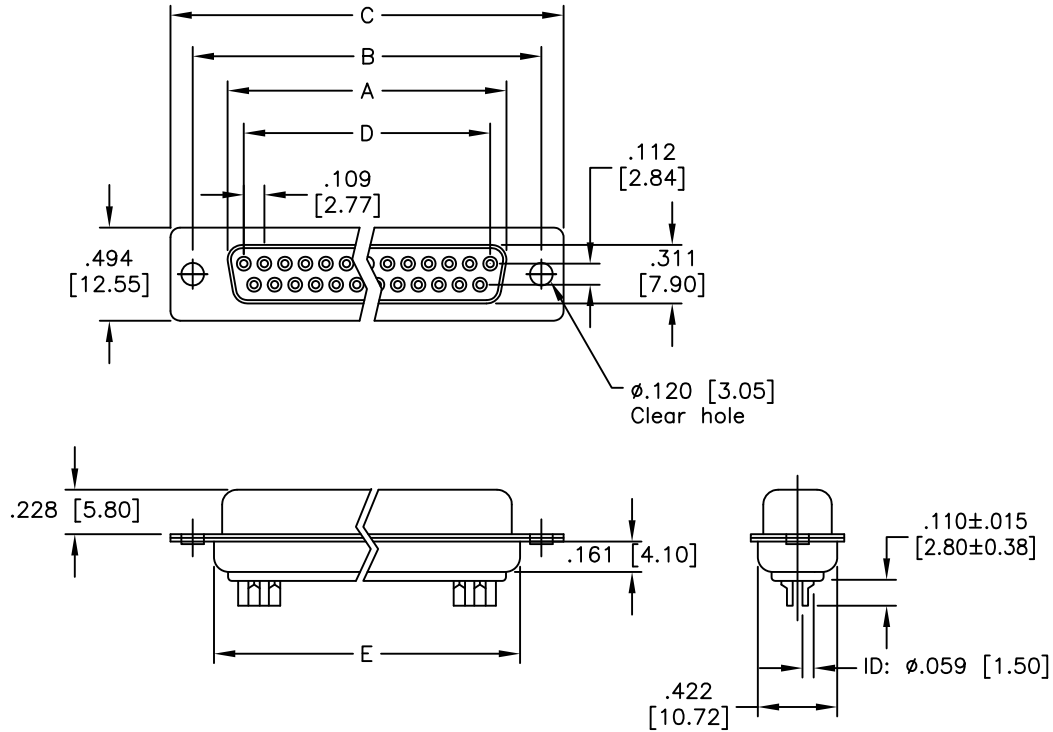


APPROVED: _____
 DATE: _____ TITLE: _____

Rev	AWO #	Description	Date	Appr
-		RELEASED	4/28/05	
A		REVISED SHAPE & SPEC.	12/18/13	AY/LW
B		REVISED DIM.	9/13/18	AY/RT



DXXX	NO. OF CONTACTS	DIMENSIONS				
		A	B	C	D	E
DE09	9	.643 [16.33]	.984 [24.99]	1.213 [30.81]	.436 [11.08]	.769 [19.20]
DA15	15	.972 [24.70]	1.311 [33.30]	1.543 [39.20]	.763 [19.39]	1.091 [27.70]
DB25	25	1.512 [38.40]	1.852 [47.04]	2.089 [53.05]	1.309 [33.24]	1.618 [41.10]
DC37	37	2.157 [54.80]	2.500 [63.50]	2.732 [69.40]	1.963 [49.86]	2.256 [57.30]

SPECIFICATIONS:

Material:
 Insulator: PBT, glass reinforced, rated UL 94V-0
 Insulator color: Black
 Contacts: Copper Alloy
 Shell: Steel, Tin plated
 Plating:
 Gold over Nickel underplate on contact area
 Electrical:
 Voltage: 250 VAC/RMS
 Current rating: 5 Amp
 Contact resistance: 20 mohms max
 Insulation resistance: 1,000 Mohms min @ 500 VDC
 Dielectric withstanding voltage: 1,000 VAC for 1 minute
 Environmental:
 Lead free, RoHS compliant



UNLESS OTHERWISE SPECIFIED
 ALL DIMENSIONS ARE INCHES [MM]
 TOLERANCES: EXCEPT AS NOTED

INCHES	HOLES
.X ± .10	Ø.X ± .10
.XX ± .020	Ø.XX ± .015
.XXX ± .015	Ø.XXX ± .010

APPROVALS		DATE
DRAWN	SS	4/28/05
CHECKED		
APPROVED		

ADAM TECH INTERCONNECTS
 909 Rahway Avenue,
 Union, NJ 07083
 Phone: 908-687-5000
 Fax: 908-687-5710

TITLE D-SUB SOCKET, SOLDER CUP .120 [3.05] MOUNTING HOLES, MACHINED PIN		
SIZE X	PART NO. DXXX-SD-MC	REV. B
REF: S00087T	SCALE: NTS	SHEET 1 OF 1