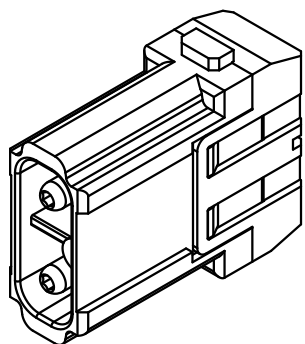


X
5:1

für Litze 6-10mm²/ AWG10-8, feindrähtig
for stranded wire 6-10mm², AWG10-8, fine wire



| | | | | | | |
|---|------|--------------------------------|-------------------|------|--|---|
| All Dimensions in mm Original Size DIN A 4 | | Techn. Character. | | | Nicht tolerierte Maße/Free size tolerances | |
| | | | Dat. | Name | Maßstab/Scale 2:1 | Han 40A Axial screw module Stifteinsatz/male insert |
| | | Detail. | 10.10.08 | Rull | | |
| | | Insp. | | Be | | |
| | | Stand. | | | | |
| A | | HARTING Electric GmbH & Co. KG | | | | TB 09 14 002 2602 |
| Mod. | Dat. | Name | D-32339 Espelkamp | | | |
| | | | | | Sub. TB 09 14 002 2602 v. 14.08.01 | |
| | | | | | | Blatt/ page |