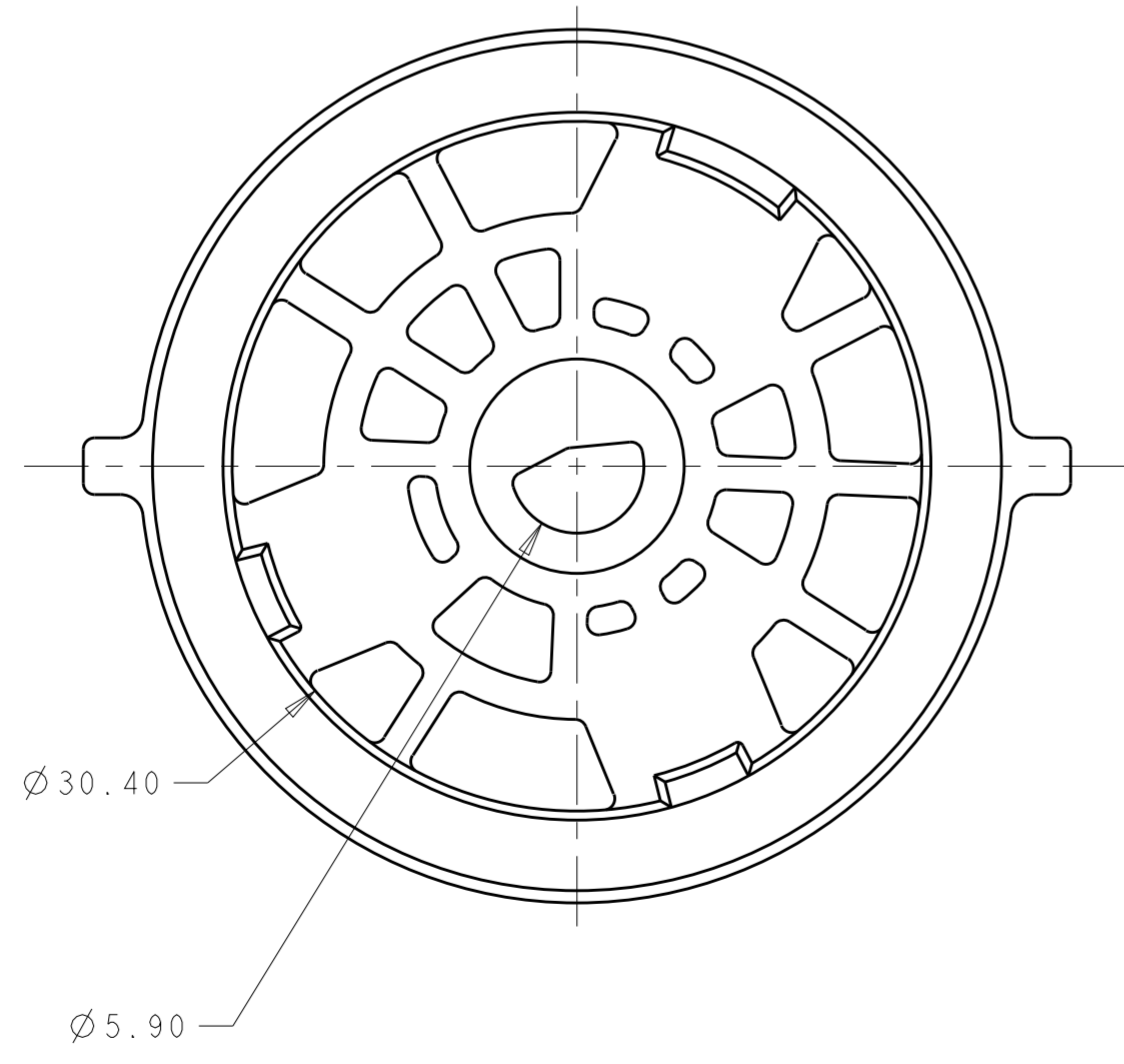
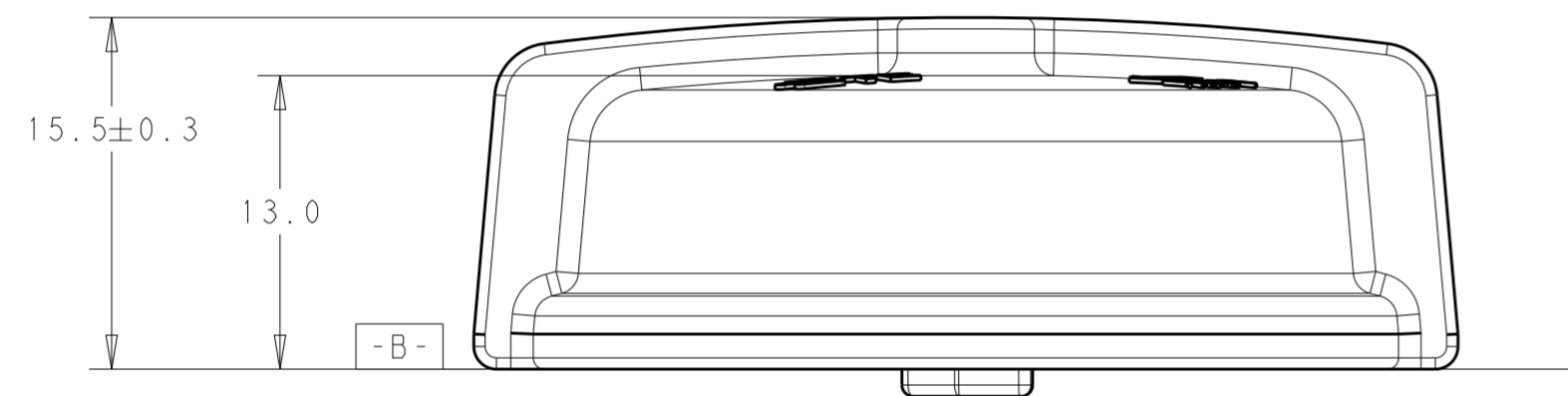
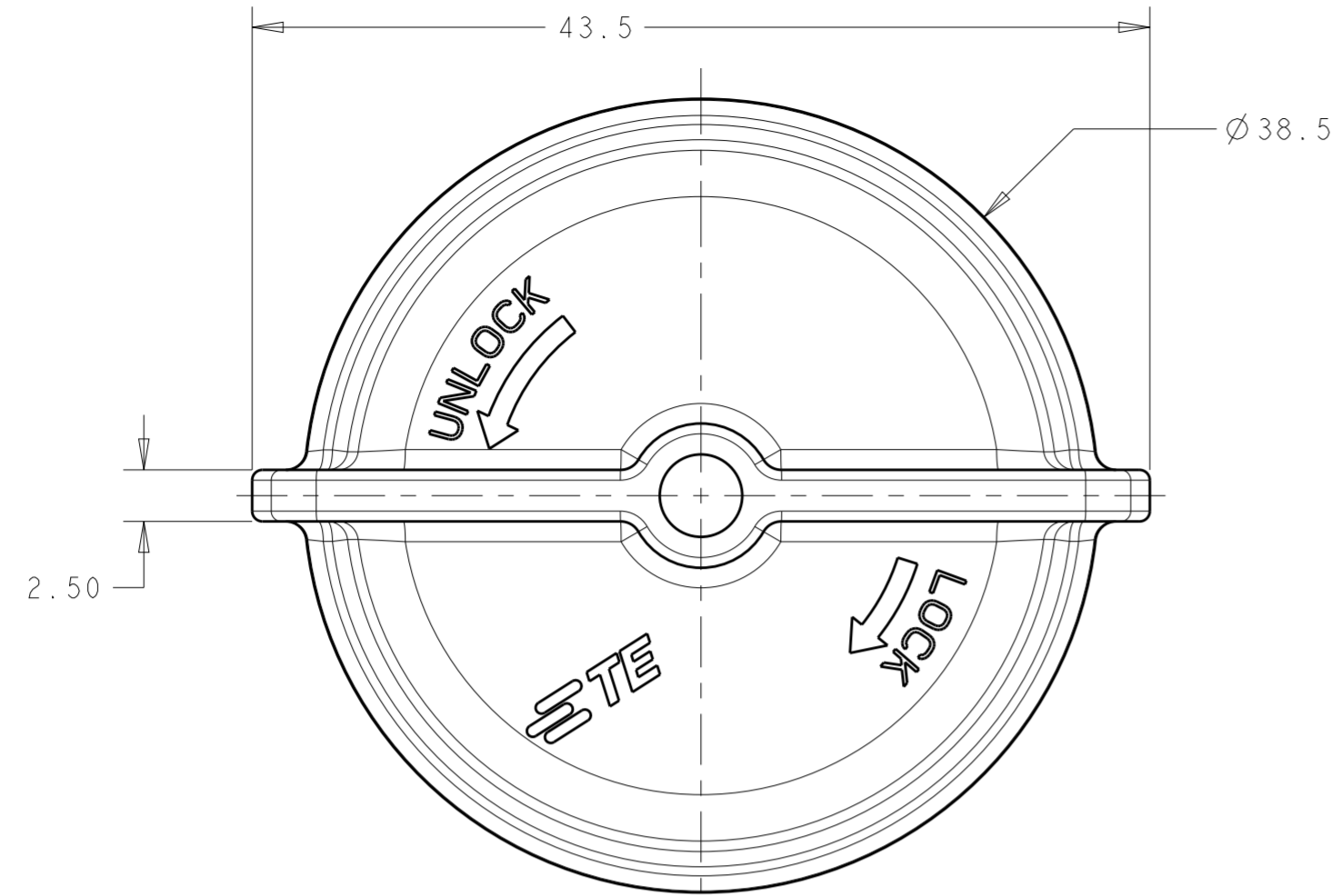


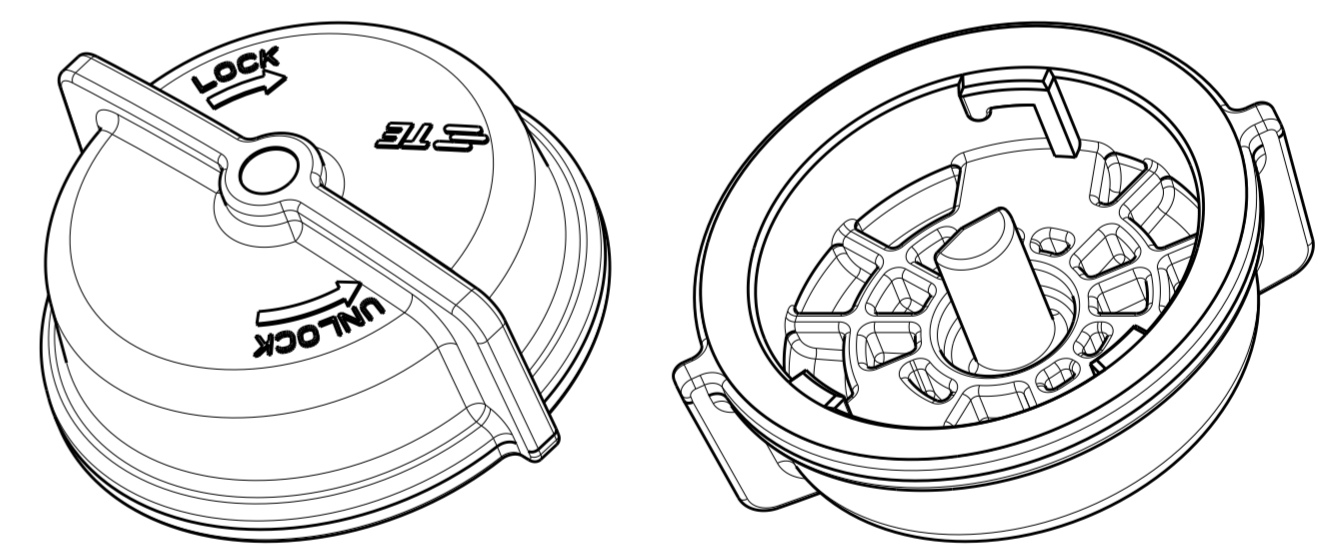
THIS DRAWING IS UNPUBLISHED. RELEASED FOR PUBLICATION
 © COPYRIGHT copyright.dBTe- ALL RIGHTS RESERVED.

REVISIONS				
P	LTR	DESCRIPTION	DATE	APVD
A		REVISED PER ECR-20-013028	14SEP2020	MM DD



NOTES:

- 1 MATERIALS AND FINISH:
-SEALING CAP: PBT, COLOR: SEE TABLE
- 2. MUST COMPLY WITH DIRECTIVE 2002/95/EC (ROHS)
- 3. MATES WITH 2343403-X RECEPTACLES.



WHITE	2341474-3
LIGHT GRAY	2341474-2
DARK GRAY	2341474-1
COLOR	PART NO.

THIS DRAWING IS A CONTROLLED DOCUMENT.		DWN C. DAILY 04APR2016	STE TE Connectivity	
		CHK E. HOWARD 04APR2016		
DIMENSIONS:		APVD -	NAME SEALING CAP, KEYED VERSION LUMAWISE ENDURANCE S	
TOLERANCES UNLESS OTHERWISE SPECIFIED:		PRODUCT SPEC 108-133073	SIZE A2	
0 PLC ±		APPLICATION SPEC 114-133074	CAGE CODE -	
1 PLC ±0.2		WEIGHT -	DRAWING NO G-2341474	
2 PLC ±0.15		CUSTOMER DRAWING	RESTRICTED TO -	
3 PLC ±		SCALE 5:1	SHEET 1 OF 1	
4 PLC ±			REV A1	
ANGLES ±2				
FINISH				
MATERIAL				