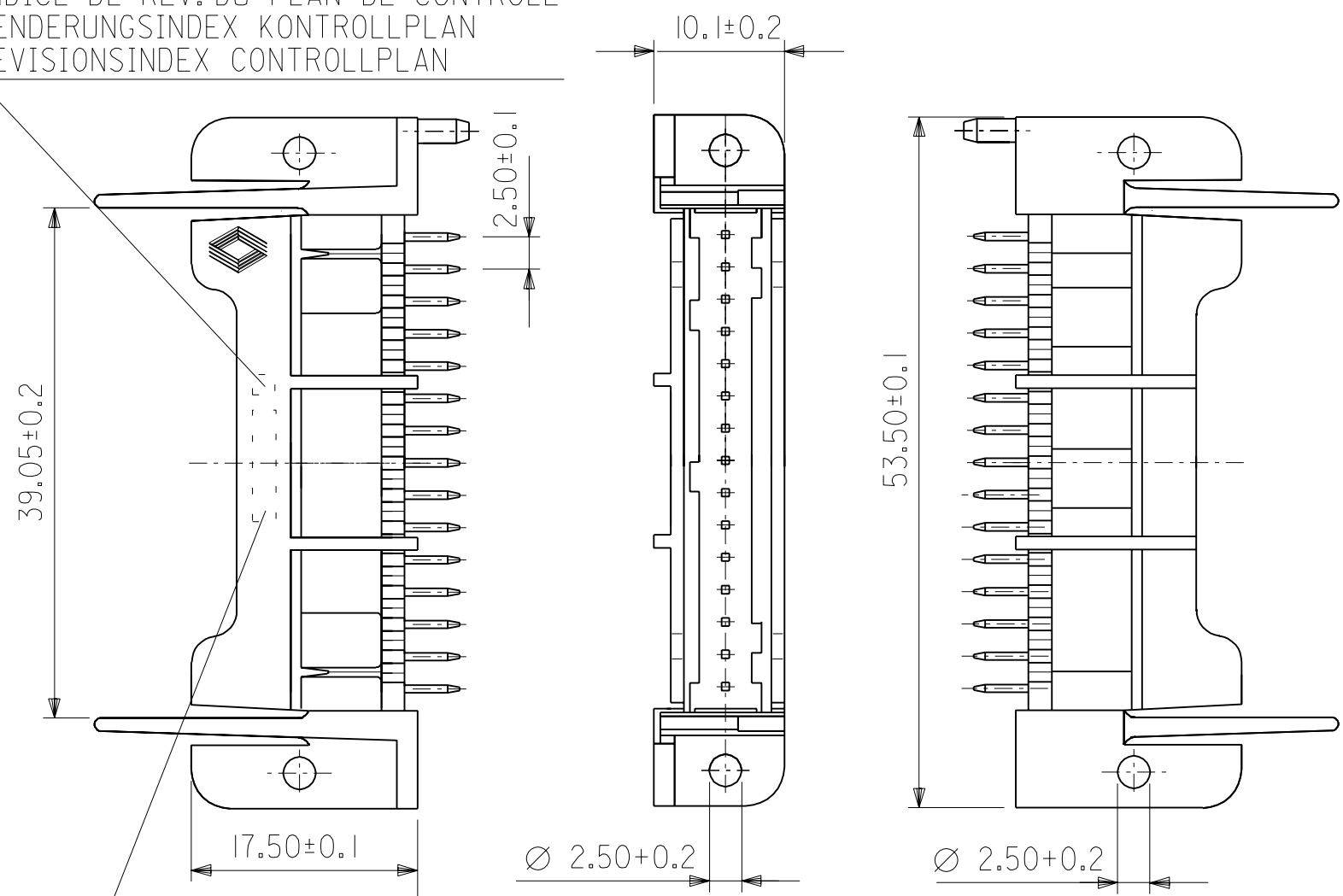
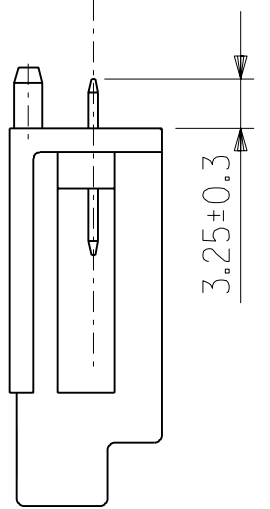


INDICE DE REV. DU PLAN DE CONTROLE
 AENDERUNGSINDEX KONTROLLPLAN
 REVISIONSINDEX CONTROLLPLAN



TEILE-NR. RNUR
 REFERENCE RNUR

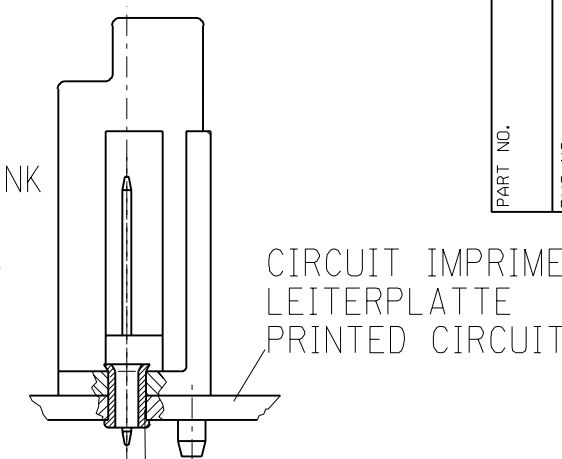
DETROMPAGE DESSINE N°1
 DARGESTELLTE KODIERUNG NR1
 PRESENTED CODING NR1



No	DETROMPAGES INTERFACIAUX VUE DE FACE DES EMBASE HEADER KODIERUNG VORDERANSICHT HEADER CODING FRONT VIEW	DETROMPAGES CIRCUITS IMPRIMES EMBASE 15 VOIES DROITES LEITERPLATTENKODIERUNG 15 POLIG GERADE PRINTED CIRCUIT CODING HEADER 15 WAY STRAIGHT
1		
2		
3		
4		
5		

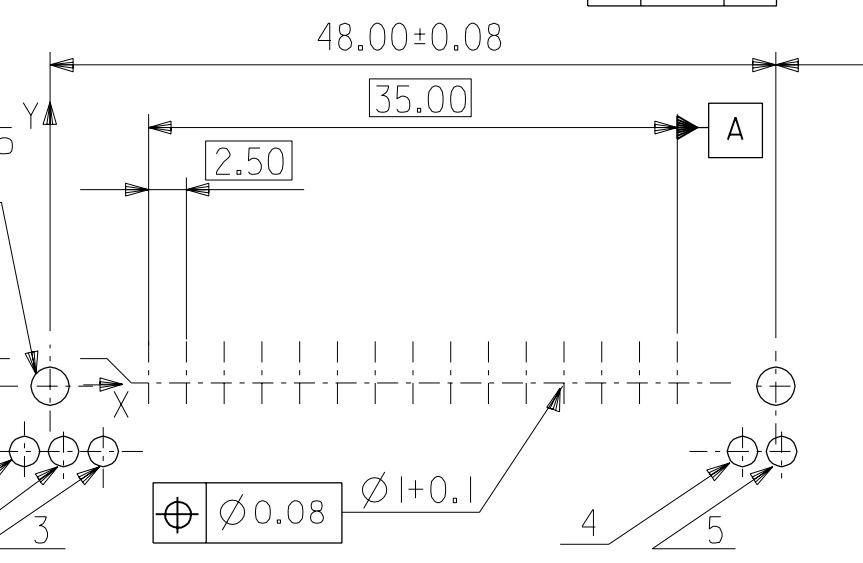
RIVITAGE/NIETUNG/RIVETING

MATIERE RIVET: LAITON BRUT
 WERKSTOFF NIET: MESSING BLANK
 MATERIAL RIVET: BRASS BLANK

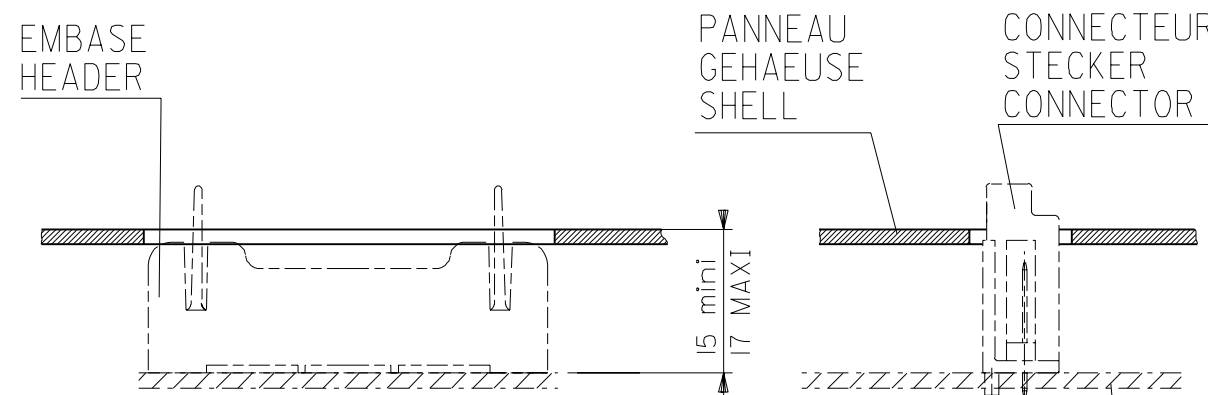


RIVET AVDEL REF: 1831-0306 (BRIV)
 NIET AVDEL REF: 1831-0306 (BRIV)

COTES DE PERCAGE DES CIRCUITS IMPRIMES
 LOCHBILD DER LEITERPLATTE
 P. C. BOARD LAYOUT



DECOUPE DES PANNEAUX DE PROTECTION
 GEHAEUSE AUSSCHNITT
 CUT OUT IN THE PROTECTIVE SHELL

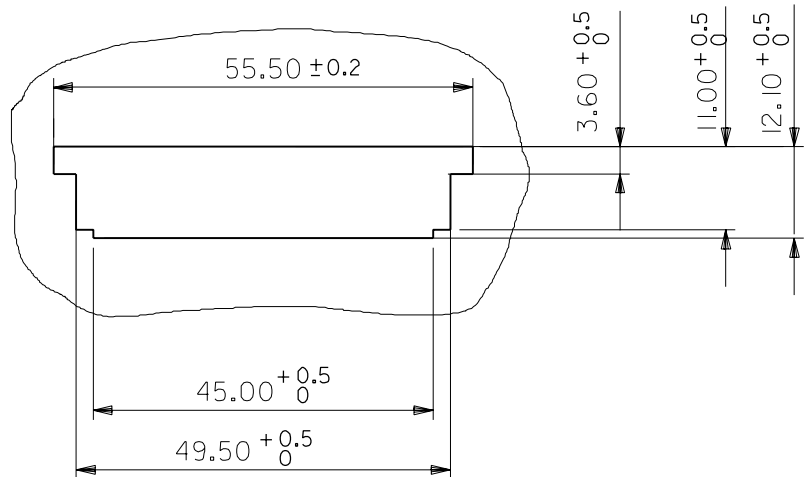


2 HOLES
 2 TROUS Ø 2.5±0.05
 2 LOECHER

CIRCUIT IMPRIME
 LEITERPLATTE
 PRINTED CIRCUIT

COTES DES DETROMPAGES
 MASSE FUEUR DIE KODIERUNG
 CODING DIMENSIONS

UN SEUL TROU PAR C.I. POUR L'EMBASE
 CORRESPONDANTE
 NUR 1 LOCH PRO KODIERUNG
 ONLY 1 HOLE PER CODING



AXE DE FIXATION
 BEFESTIGUNGSACHSE
 FASTENINGLINE

N°	Ø	COTE SUR MASS/DIM X±0.08	COTE SUR MASS/DIM Y±0.08
1	2±0.05	-1.7	-4.3
2		+0.9	
3		+3.5	
4		+45.8	
5		+48.4	

MATIERES:
 EMBASE: POLYESTER 30% CHARGE DE VERRE
 CONTACT: CUPRO FER

WERKSTOFF:
 HEADER: POLYESTER 30% GLASFASER
 KONTAKT: KUPFER EISENLEGIERUNG

MATERIAL:
 HEADER: POLYESTER 30% GLASS
 CONTACT: COPPER IRON

REFERENCE EMBASE 15 VOIES DROITES/TEILE NR. HEADER 15 POLIG GERADE/PN-HEADER 15 WAY STRAIGHT	REFETEMENT CONTACTS KONTAKTOBERFLAECHE PLATING	DETR. INTERF. KODIERUNG CODING	REFERENCE RNUR TEILE NR. RNUR PN-RNUR	REFERENCE MOLEX TEILE NR. MOLEX PN-MOLEX	COULEUR FARBE COLOR
ETAME VERZINNT TINNED		1	770319-7683	95045-1111	BLEU/BLAU/BLEUE
		2	770319-7684	95045-1112	ROUGE/ROT/RED
		3	770319-7685	95045-1113	VERT/GRUEN/GREEN
		4	770319-7686	95045-1114	JAUNE/GELB/YELLOW
		5	770319-7687	95045-1115	MARRON/BRAUN/BROWN
DORE VERGOLDET GOLDEN		1	770319-7688	95045-1121	BLEU/BLAU/BLEUE
		2	770319-7689	95045-1122	ROUGE/ROT/RED
		3	770319-7690	95045-1123	VERT/GRUEN/GREEN
		4	770319-7691	95045-1124	JAUNE/GELB/YELLOW
		5	770319-7692	95045-1125	MARRON/BRAUN/BROWN

CONDITIONEMENT
 CARTON A 11 H(600x400x200)
 300 PIECES/CARTON
 CONDITIONEMENT
 RECUPERABLE

VERPACKUNG
 KARTON A 11 H(600x400x200)
 300 TEILE/KARTON
 WIEDERVERWENDBARE
 VERPACKUNG

PACKAGING
 CARTON A 11 H(600x400x200)
 300 PIECES/CARTON
 REFLOW PACKAGING

FOR PREVIOUS
 DRAWING ISSUES
 SEE "EDIS"

ECN MXG 1586
 08.02.95
 MSC
 A I LTR REVISIONS

3 PLACE ±	±
2 PLACE ±	±
1 PLACE ±	±

DRAFT WHERE APPLICABLE MUST
 REMAIN WITHIN DIMENSIONS

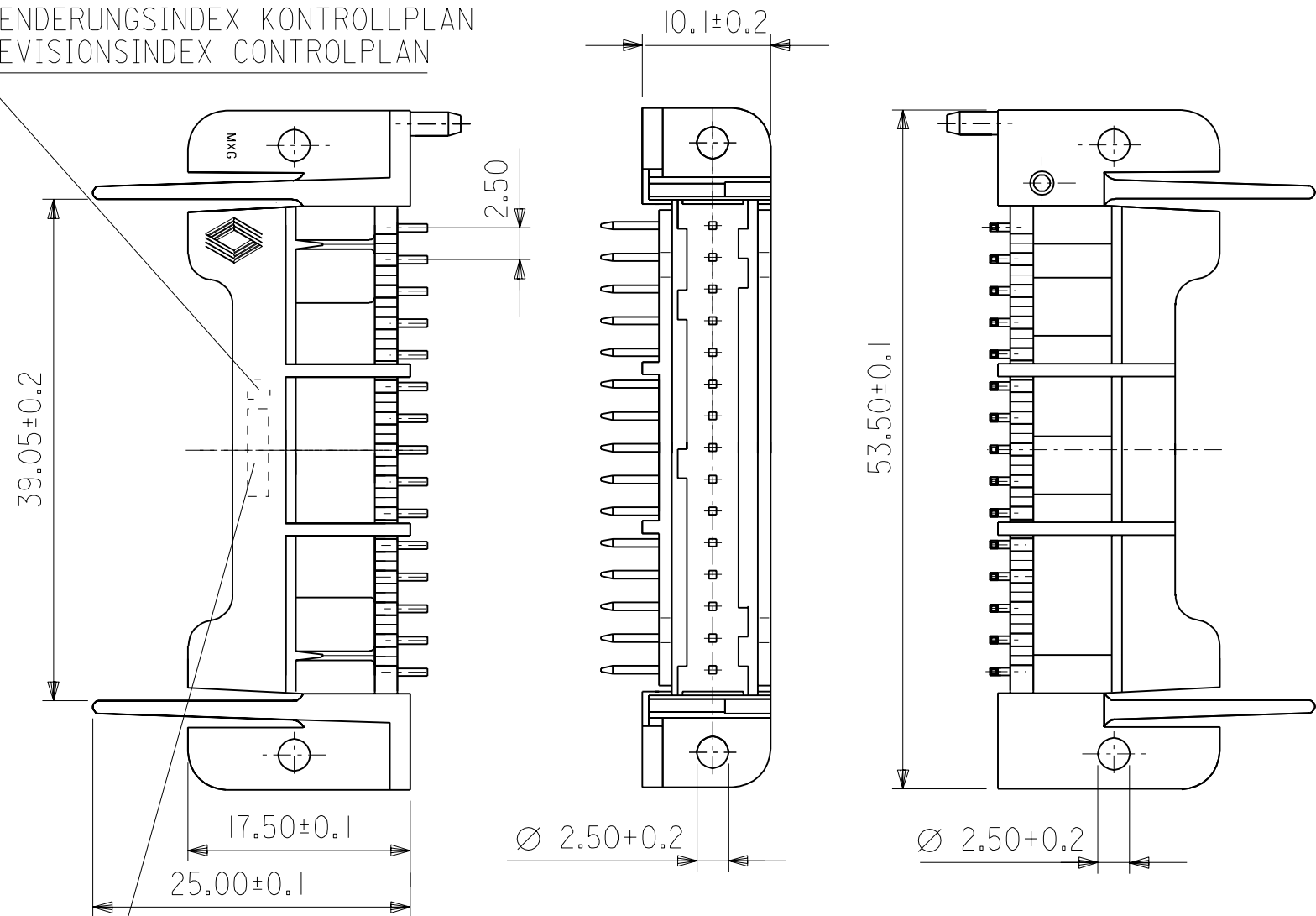
DESIGN DIMENSION (MM)
 (PRIMARY) IN.

EQUIVALENT DIMENSION (MM)
 (SECONDARY) IN.

DRWG BY
 MSC
 CHK'D BY
 APP'D BY
 SCALE 1:1
 2:1

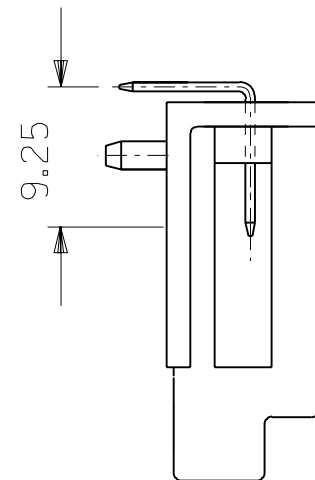
REVISE ONLY ON CAD SYSTEM		SH.	REV.
CAD/CAM FILENAME sd950451 DGN	THIS DRAWING CONTAINS INFORMATION THAT IS PROPRIETARY TO MOLEX INC. & SHOULD NOT BE USED WITHOUT WRITTEN PERMISSION		
TITLE EMBASE 15 V DROITES HEADER 15 POL GERADE HEADER 15 WAY STRAIGHT			
MOLEX MOLEX EUROPE		SHEET NO. 1 / 2	DATE 92 / 07 / 20
PART NO. VOIR TABLEAU SIEHE TABELLE/SEE CHART	DWG NO. SD-95045	SIZE C	

INDICE DE REV. DU PLAN DE CONTROLE
AENDERUNGSINDEX KONTROLLPLAN
REVISIONSINDEX CONTROLPLAN



TEILE-NR. RNUR
REFERENCE RNUR

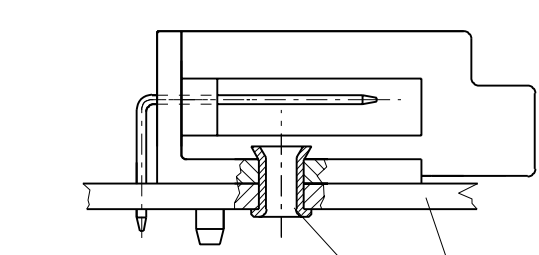
DETROMPAGE DESSINE N 1
DARGESTELLTE KODIERUNG NR1
PRESENTED CODING NO1



No	DETROMPAGES INTERFACIAUX VUE DE FACE DES EMBASE HEADER KODIERUNG VORDERANSICHT HEADER CODING FRONT VIEW	DETROMPAGES CIRCUITS IMPRIMES EMBASE 15 VOIES COUDEES LEITERPLATTENKODIERUNG 15 POLIG ABGEWINKELT PRINTED CIRCUIT CODING HEADER 15 WAY RIGHT ANGLE
1		
2		
3		
4		
5		

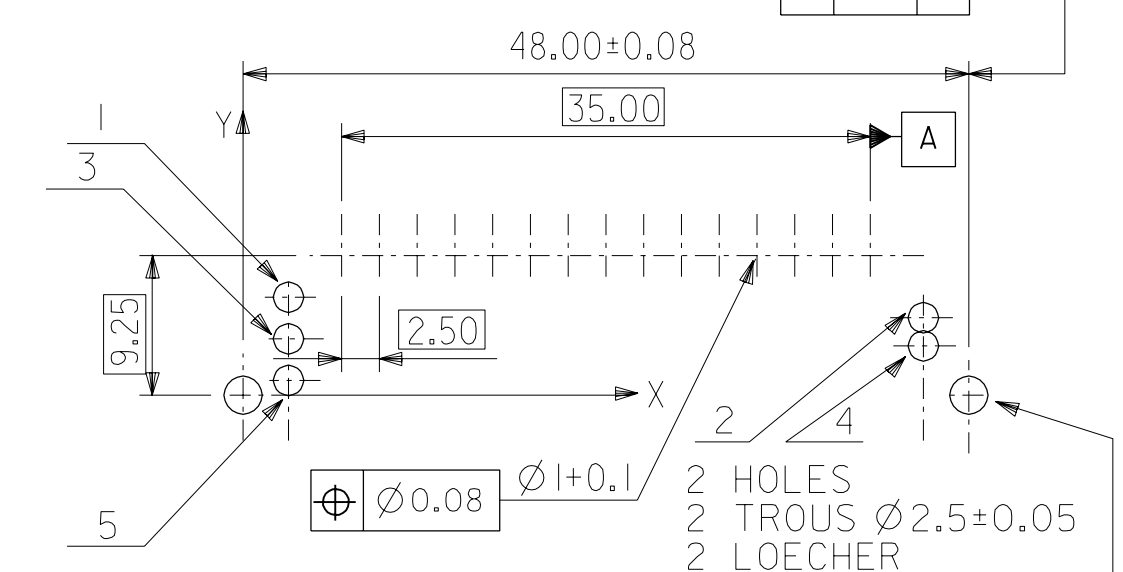
RIVITAGE/NIETUNG/RIVETING

MATIERE RIVET: LAITON BRUT
WERKSTOFF NIET: MESSING BLANK
MATERIAL RIVET: BRASS BLANK

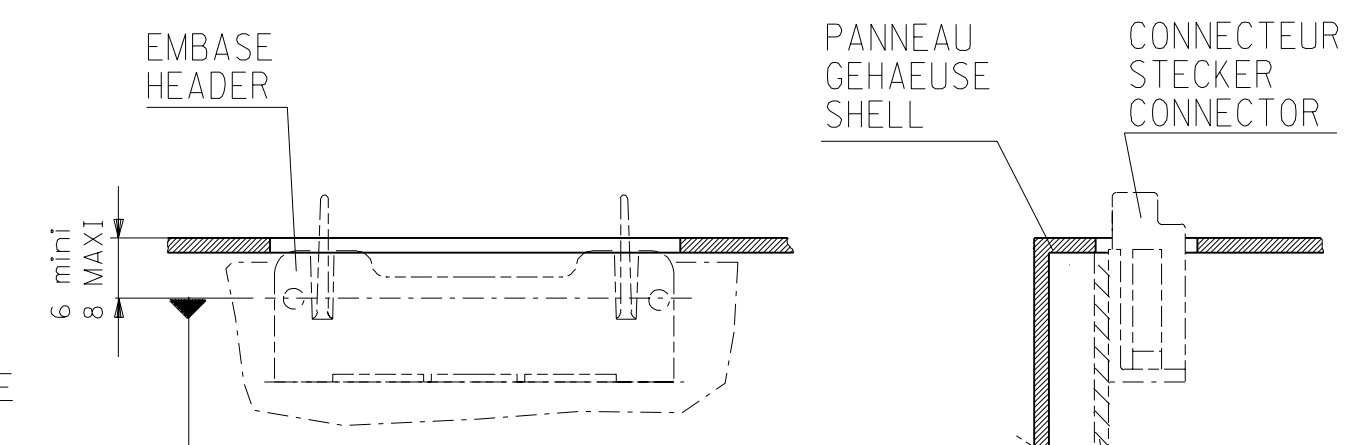


RIVET AVDEL REF: 1831-0306 (BRIV)
NIET AVDEL REF: 1831-0306 (BRIV)
CIRCUIT IMPRIME
LEITERPLATTE
PRINTED CIRCUIT

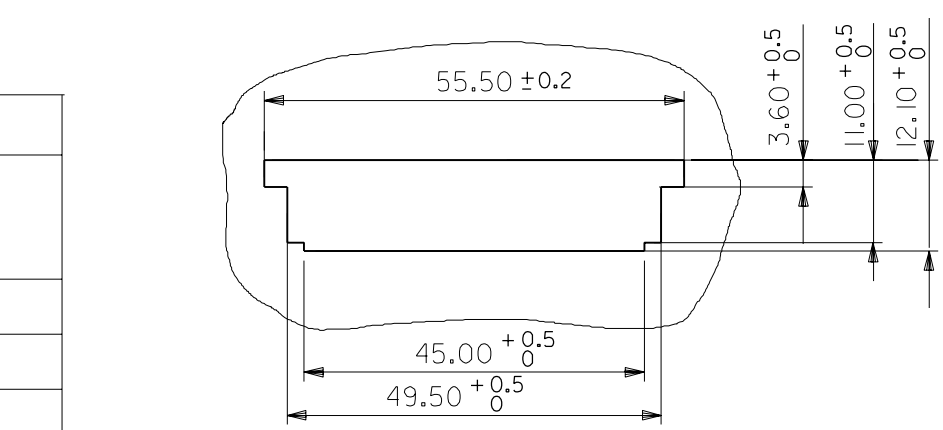
COTES DE PERCAGE DES CIRCUITE IMPRIMES
LOCHBILD DER LEITERPLATTE
P. C. BOARD LAYOUT



DECOUPE DES PANNEAUX DE PROTECTION
GEHAUSE AUSSCHNITT
CUT OUT IN THE PROTECTIVE SHELL



AXE DE FIXATION
BEFESTIGUNGSACHSE
FASTENINGLINE



MATIERES:
EMBASE: POLYESTER 30% CHARGE DE VERRE
CONTACT: CUPRO FER
WERKSTOFF:
HEADER: POLYESTER 30% GLASFASER
KONTAKT: KUPFER EISENLEGIERUNG
MATERIAL:
HEADER: POLYESTER 30% GLASS
CONTACT: COPPER IRON

COTES DES DETROMPAGES
MASSE FUER DIE KODIERUNG
CODING DIMENSIONS

UN SEUL TROU PAR C.I. POUR L'EMBASE
CORRESPONDANTE
NUR 1 LOCH PRO KODIERUNG
ONLY 1 HOLE PER CODING

N°	Ø	COTE SUR MASS/DIM X±0.08	COTE SUR MASS/DIM Y±0.08
1		3	6.5
2		45	5.13
3	2±0.05	3	3.75
4		45	3.28
5		3	1

REFERENCE EMBASE 15 VOIES COUDEES/TEILE NR. HEADER 15 POLIG ABGEWINKELT/PN-HEADER 15 WAY RIGHT ANGLE				
REFETEMENT CONTACTS KONTAKTOBERFLAECHE PLATING	DETR. INTERF. KODIERUNG CODING	REFERENCE RNUR TEILE NR. RNUR PN-RNUR	REFERENCE MOLEX TEILE NR. MOLEX PN-MOLEX	COULEUR FARBE COLOR
ETAME VERZINNT TINNED	1	770319 7693	95045-1211	BLEU/BLAU/BLEUE
	2	770319 7694	95045-1212	ROUGE/ROT/RED
	3	770319 7695	95045-1213	VERT/GRUEN/GREEN
	4	770319 7696	95045-1214	JAUNE/GELB/YELLOW
	5	770319 7697	95045-1215	MARRON/BRAUN/BROWN
DORE VERGOLDET GOLDEN	1	770319 7698	95045-1221	BLEU/BLAU/BLEUE
	2	770319 7699	95045-1222	ROUGE/ROT/RED
	3	770319 7700	95045-1223	VERT/GRUEN/GREEN
	4	770319 7701	95045-1224	JAUNE/GELB/YELLOW
	5	770319 7702	95045-1225	MARRON/BRAUN/BROWN

CONDITIONEMENT
CARTON A 11 H(600x400x200)
300 PIECES/CARTON
CONDITIONEMENT
RECUPERABLE

VERPACKUNG
KARTON A 11 H(600x400x200)
300 TEILE/KARTON
WIEDERVERWENDBARE
VERPACKUNG

PACKAGING
CARTON A 11 H(600x400x200)
300 PIECES/CARTON
REFLOW PACKAGING

FOR PREVIOUS
DRAWING ISSUES
SEE "EDIS"

ECN MXG 0995
92/12/04
MSC
A
LTR

THIRD ANGLE PROJECTION	
DIMENSIONS SHOWN (METRIC) INCH	DRWG BY
UNLESS OTHERWISE SPECIFIED TOLERANCES: ANGULAR *	MSC
INCH (METRIC)	CHK'D BY
3 PLACE ±	APP'D BY
2 PLACE ±	SCALE
1 PLACE ±	1:1 2:1
DRAFT WHERE APPLICABLE MUST REMAIN WITHIN DIMENSIONS	
DESIGN DIMENSION	□ (MM)
(PRIMARY)	□ IN.
EQUIVALENT DIMENSION	□ (MM)
(SECONDARY)	□ IN.

REVISE ONLY ON CAD SYSTEM		SH.	REV.
CAD/CAM FILENAME SD950452 DGN	THIS DRAWING CONTAINS INFORMATION THAT IS PROPRIETARY TO MOLEX INC. & SHOULD NOT BE USED WITHOUT WRITTEN PERMISSION		
TITLE EMBASE 15 V COUDEES HEADER 15 POL ABGEW. HEADER 15 W RIGHT ANGLE			
MOLEX MOLEX EUROPE		SHEET NO.	DATE
PART NO. VOIR TABLEAU SIEHE TABELLE/SEE CHART		2 / 2	92 / 07 / 22
DWG NO. SD 95045		SIZE C	