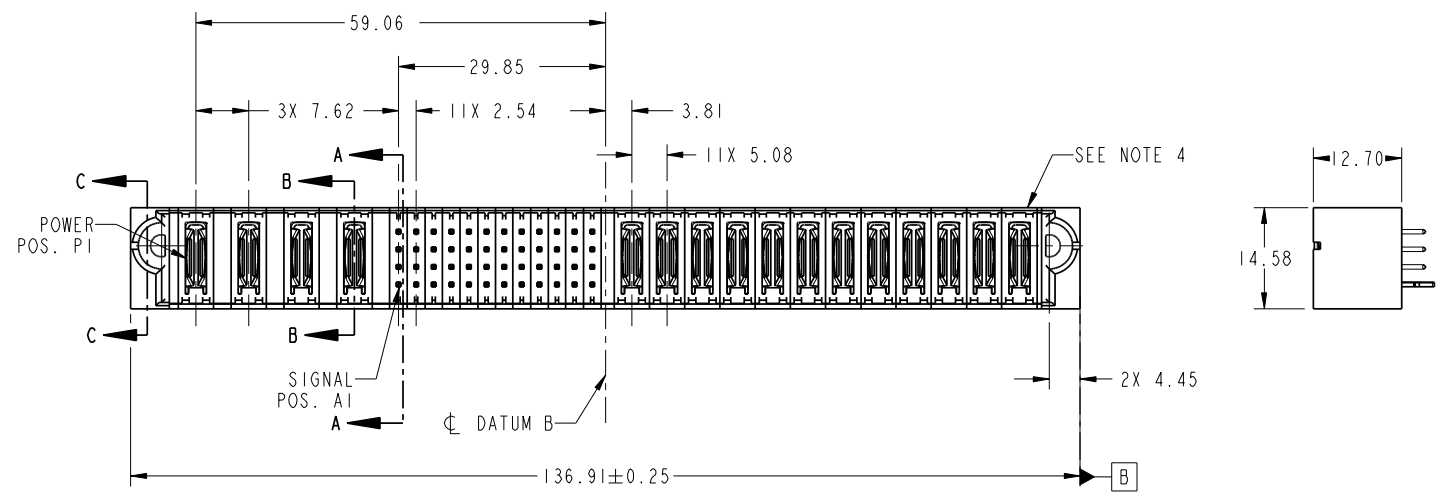


Tous droits strictement réservés. Reproduction ou communication a des tiers interdite sous quelque forme que ce soit sans autorisation écrite du propriétaire. Propriété de c FCI. Droits de reproduction FCI.



All rights strictly reserved. Reproduction or issue to third parties in any form whatever is not permitted without written authority from the proprietor. Property of FCI. Copyright FCI.

PRODUCT NO. 51952-185-- NOTE ③	ROWS D C B A	POWER				SIGNAL												POWER												E2
		E1	P1	P2	P3	P4	1	2	3	4	5	6	7	8	9	10	11	12	P5	P6	P7	P8	P9	P10	P11	P12	P13	P14	P15	



CODE	DIM "M" MATING LENGTH	CONTACT TYPE
PA	[N/A]	POWER
E	[6.86]	SIGNAL
HA	[N/A]	HOLD-DOWN

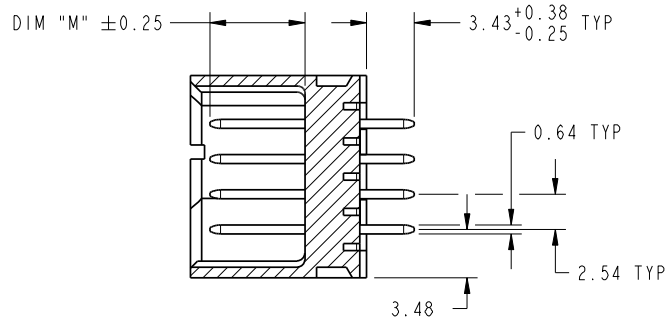
mat'l code				tolerances unless otherwise specified				CUSTOMER		FCI	
lfr	ecn no.	dr	date	linear	0.X ± 0.5			COPY		www.fciconnect.com	
A	DG11-0051	HZ	03/01/11		0.XX ± 0.25			projection		title	
					0.XXX ± 0.1					4ACP + 48S + 12P VERTICAL SOLDER HEADER	
				angles	0° ± 2°					product family PwrBlade code	
				dr	Helen Zhang 03/01/11			scale		size	
				enrg	Anson Liu 03/01/11			1:1		dwg no	
				chr	PM ZHENG 03/01/11			A		51952-185	
				appd	JOSEPH HSIA 03/01/11					sheet	
sheet index	revision sheet	A	A	A	A					1 of 4	
		1	2	3	4					cage code	
										22526	

Tous droits strictement réservés. Reproduction ou communication a des tiers interdite sous quelque forme que ce soit sans autorisation écrite du propriétaire. Propriété de c FCI. Droits de reproduction FCI.

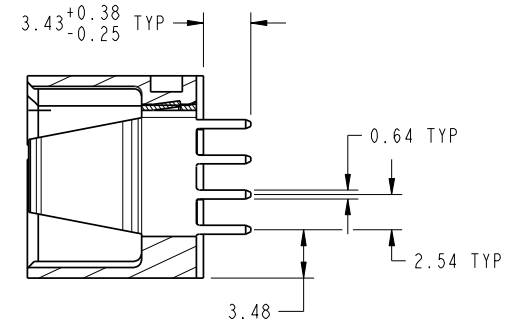
All rights strictly reserved. Reproduction or issue to third parties in any form whatever is not permitted without written authority from the proprietor. Property of FCI. Copyright FCI.



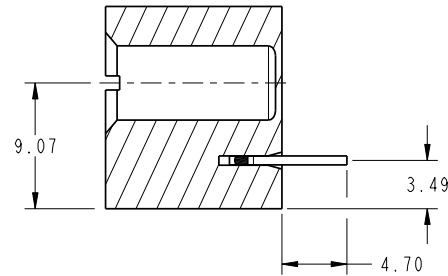
PRODUCT NUMBER
51952-185__
NOTE 3



SECTION A-A
SCALE 2:1



SECTION B-B
SCALE 2:1



SECTION C-C
SCALE 2:1

mat'l code				tolerances unless otherwise specified		CUSTOMER		FCI	
lir	ecn no.	dr	date	linear	0.X ±0.5	COPY		www.fciconnect.com	
A					0.XX ±0.25	projection		title	
				angles	0.XXX ±0.1			4ACP + 48S + 12P VERTICAL SOLDER HEADER	
				dr	Helen Zhang 03/01/11	MM		product family PwrBlade code	
				enr	Anson Liu 03/01/11			size 213	
				chr	PM ZHENG 03/01/11	scale 1:1		dwg no 51952-185 sheet	
				appd	JOSEPH HSIA 03/01/11			2 of 4	
sheet index		revision sheet							

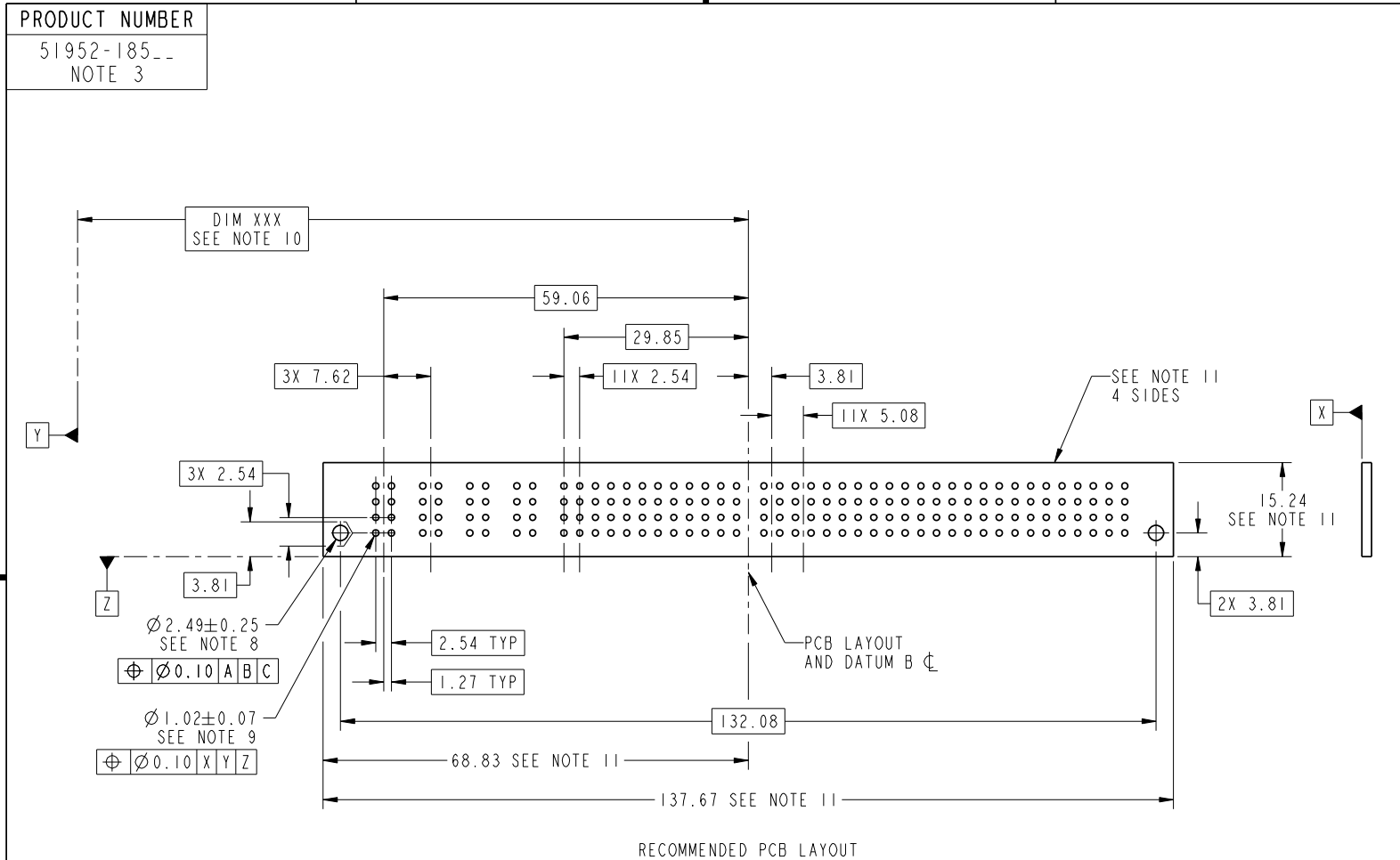
cage code 22526

Pro/E

Tous droits strictement réservés. Reproduction ou communication a des tiers interdite sous quelque forme que ce soit sans autorisation écrite du propriétaire. Propriété de c FCI. Droits de reproduction FCI.



All rights strictly reserved. Reproduction or issue to third parties in any form whatever is not permitted without written authority from the proprietor. Property of FCI. Copyright FCI.



mat'l code				tolerances unless otherwise specified		CUSTOMER		 www.fciconnect.com	
lir	ecn no.	dr	date	linear	0.X ± 0.5	COPY		title	
A					0.XX ± 0.25	projection		4ACP + 48S + 12P VERTICAL SOLDER HEADER	
				angles	0.XXX ± 0.1			product family	
				dr	0° ± 2°	MM		PwrBlade	
				enr	Helen Zhang 03/01/11	scale		code	
				chr	Anson Liu 03/01/11	1:1		213	
				app	PM ZHENG 03/01/11	A		sheet	
					JOSEPH HSIA 03/01/11			3 of 4	
sheet index	revision sheet								

cage code 22526

Tous droits strictement réservés. Reproduction ou communication a des tiers interdite sous quelque forme que ce soit sans autorisation écrite du propriétaire. Propriété de c FCI. Droits de reproduction FCI.



All rights strictly reserved. Reproduction or issue to third parties in any form whatever is not permitted without written authority from the proprietor. Property of FCI. Copyright FCI.

PRODUCT NUMBER
51952-185--
NOTE 3

NOTES:

1. DIMENSIONS AND TOLERANCES ARE IN ACCORDANCE WITH ASME Y14.5M, 1994 UNLESS OTHERWISE SPECIFIED.

CONNECTOR NOTES:

- 2 HOUSING MATERIAL: UL 94 V-0 GLASS FILLED HIGH-TEMP THERMOPLASTIC
POWER CONTACT MATERIAL: COPPER ALLOY
SIGNAL PIN MATERIAL: COPPER ALLOY
- 3. SEE ITEM 1 & 2 IN PRINT 10064183 FOR PLATING SPEC OF 51952-185 AND 51952-185LF RESPECTIVELY.
- 4 MANUFACTURER'S NAME, P/N, AND DATE CODE TO APPEAR ON THIS SURFACE.
- 5. PRODUCT SPECIFICATION GS-12-149.
APPLICATION SPECIFICATION BUS-20-067.
- 6. PACKAGED IN TRAYS.

PCB NOTES:

- 7. ALL HOLE DIAMETERS ARE FINISHED HOLE SIZE.
- 8. MOUNTING HOLES, WHERE APPLICABLE, ARE UNPLATED.

9 $\varnothing 1.151 \pm 0.025$ DRILLED HOLES PLATED WITH
0.008 MIN SnPb OR Sn OVER .001 [0.03]
TO 0.08 Cu PLATING TO ACHIEVE
 $\varnothing 1.02 \pm .07$ HOLE.

10 "DIM XXX" TO BE DETERMINED BY THE CUSTOMER.

11 CONNECTOR KEEP-OUT ZONE.

mat'l code				tolerances unless otherwise specified		CUSTOMER		FCI		www.fciconnect.com	
lir	ecr no.	dr	date	linear	0.X ± 0.5		COPY		projection	title	
A					0.XX ± 0.25		MM			4ACP + 48S + 12P	
					0.XXX ± 0.1		←			VERTICAL SOLDER HEADER	
				angles	0° + 2°		MM		product family		code
				dr	Helen Zhang	03/01/11	←		PwrBlade		213
				enr	Anson Liu	03/01/11	←		size		sheet
				chr	PM ZHENG	03/01/11	←		dwg no		4 of 4
				appd	JOSEPH HSIA	03/01/11	←		A		
sheet index		revision sheet				scale		1:1		51952-185	

coge code 22526

Pro/E