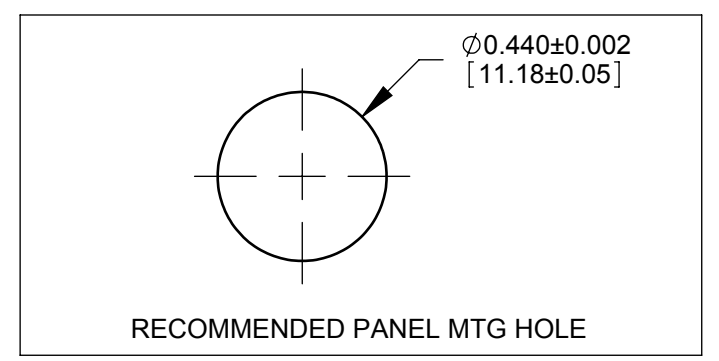
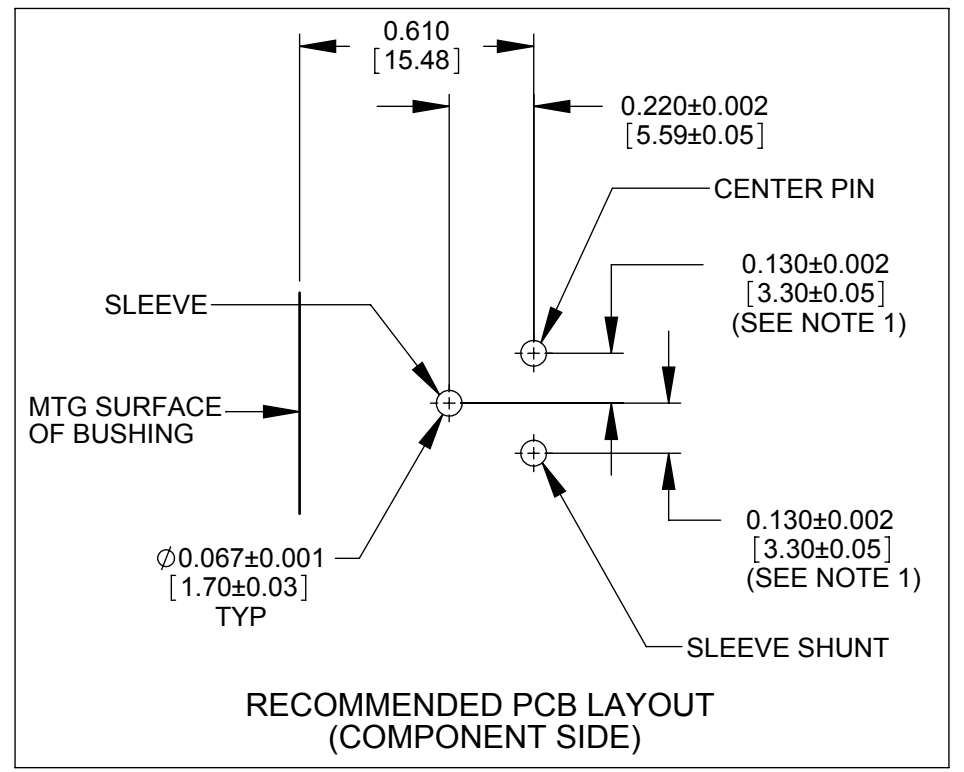


PART NUMBER	CENTER PIN / JACK SIZE	MATING POWER PLUG
L712RAS	0.10 [2.5 mm]	761KS12, 761KS15, 761KS17
L722RAS	0.08 [2.0 mm]	S761KS12, S761KS15, S761KS17 767KS12, 767KS15, 767KS17



- NOTES:
- FOR HAND INSERTION USE SPACING 0.130 [3.30]
FOR AUTOMATED INSERTION USE SPACING 0.135 [3.43]
 - DIMENSIONS SHOWN FOR REFERENCE ONLY.
 - HEX NUT, FLAT WASHER, AND PANEL O-RING SUPPLIED UNASSEMBLED
 - MATERIAL:
HOUSINGS, HEX NUT - COPPER ALLOY, NICKEL PLATED
INSULATOR HOUSING - THERMOPLASTIC
O-RINGS - NEOPRENE RUBBER, LUBRICATED WITH SYNTHETIC GREASE
TERMINAL INSULATORS - PHENOLIC
FLAT WASHER - STEEL, NICKEL PLATED
PIN, SPRING, TERMINALS - COPPER ALLOY, SILVER PLATED
 - THIS PRODUCT IS RoHS COMPLIANT

REV	ECO NUMBER	DATE	BY	APVD
B	27029	10/01/12	BL	TJK
A	26591	8/6/10	RS	TJK
REVISIONS				

UNLESS OTHERWISE SPECIFIED

1. ALL DIMENSIONS IN INCHES

- TWO PLACE DECIMALS ±0.02

- THREE PLACE DECIMALS ±0.005

DO NOT SCALE DRAWING

THIS DRAWING DESCRIBES A DESIGN CONSIDERED PROPRIETARY IN NATURE, DEVELOPED AND MANUFACTURED BY SWITCHCRAFT INC. AND IS RELEASED ON A CONFIDENTIAL BASIS FOR IDENTIFICATION PURPOSES ONLY.									
SIZE	WIDTH	MULT	LBS/M	TEMPER					
FINISH SPEC No.					MATERIAL SPEC No.				
FIRST USED ON					SCALE 2:1				
DATE DRAWN	BY	CHKD	APVD						
7/23/09	PNK	RS	TJK						
			8/6/10						
NAME					PART No.			REV	
SEALED POWER JACKS RIGHT ANGLE PC, RoHS					L712RAS, L722RAS			B	

CUSTOMER DRAWING