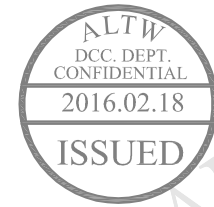
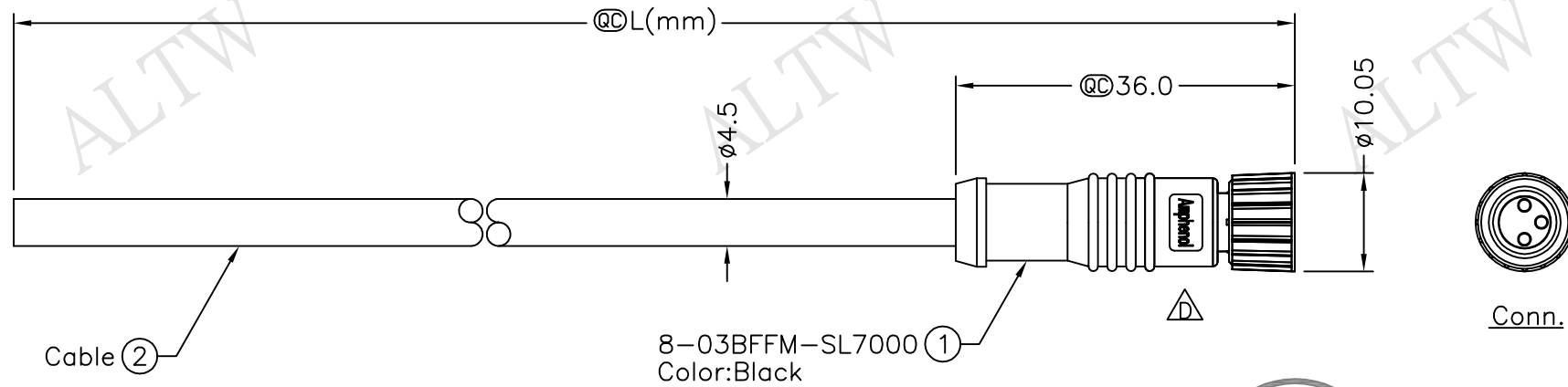
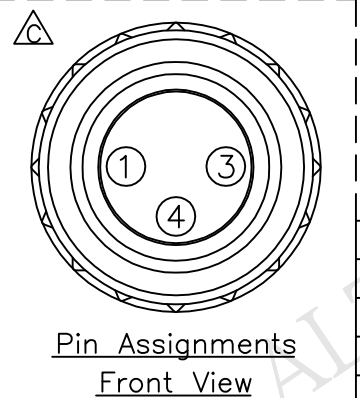


REV.	ECN NO.	DATE	SIGN	DESCRIPTION
B	LEN-780070	2007/04/27	Ferds	Change Pin Out Color & Apply New Standard
C	LEN-920007~010	2009/01/21	Vicky	Update the drawing.
D	LEN1620129~132	2016/02/01	Ruru	Change Logo



8-03BFFM-SL7BXX
 XX:01~99Meters
 01:01Meter
 02:02Meters
 ...
 99:99Meters
 Cable Length(L):01~99Meters

- Notes:
- * @C Important Dimension.
 - * Waterproof Rate: IP67.
 - * Connector: PU, Black.
 - * Female Pin: Copper Alloy, Gold Plated.
 - * Cable: 22AWG*3C+Insulation, PU, OD=4.5mm, Black.
 - * Cable Length Tolerance: 01M:±40mm
 02M~05M:±60mm
 06M~10M:±100mm
 11M~30M:±200mm
 31M~99M:±500mm



Conn.	Wire Color	Pin Out
4	Black	黑
3	Blue	藍
1	Brown	棕

UNIT:mm	
TOLERANCE	±0.5 mm

TITLE	M8 Conn Cable Screw 3P F Conn F Pin		
SCALE	Free	SHEET	1 OF 1
REV.	D	SIZE	A4
QC : Inspection Item			

Amphenol LTW
 安費諾亮泰企業股份有限公司

ITEM NO	DRAWN BY	DATE
DWG NO	CHECKED BY	DATE
CUSTOMER	APPROVED BY	DATE
	Ruru	2016/02/01
8-03BFFM-SL7BXX	Rita	2016/02/01
ALTW	Lisa	2016/02/01

THIS DOCUMENT IS SUBJECT TO CHANGE WITHOUT NOTICE. IT IS CONFIDENTIAL AND A PROPERTY OF Amphenol LTW. DISCLOSURE TO THIRD PARTY HAS TO BE AUTHORIZED BY Amphenol LTW.

1 2 3 4 5 6 7 8