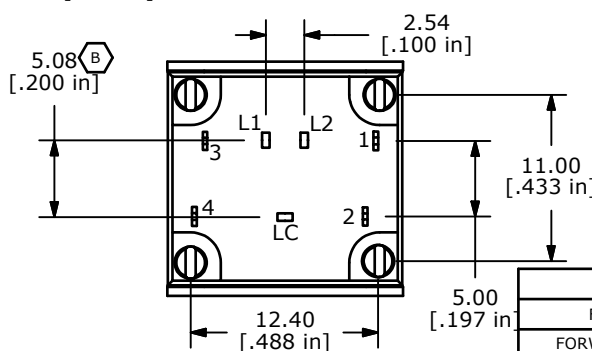
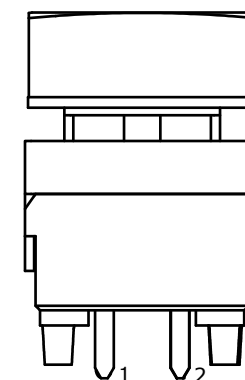
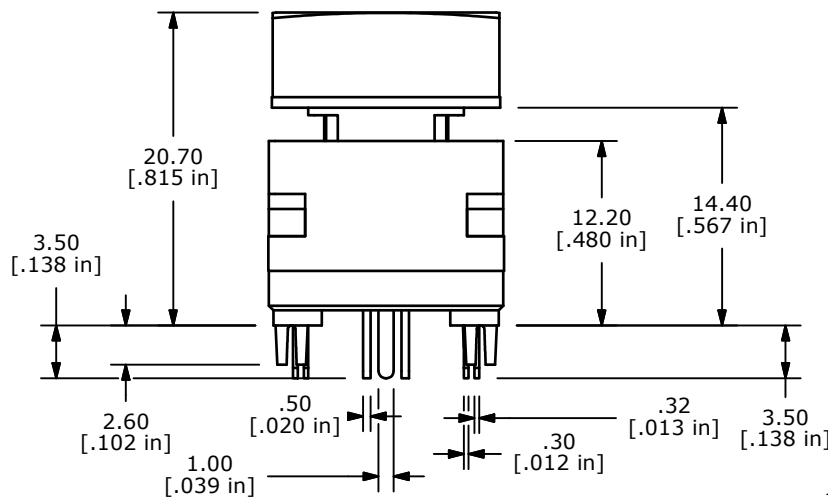
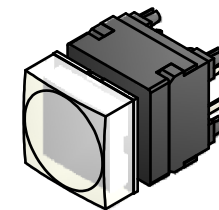
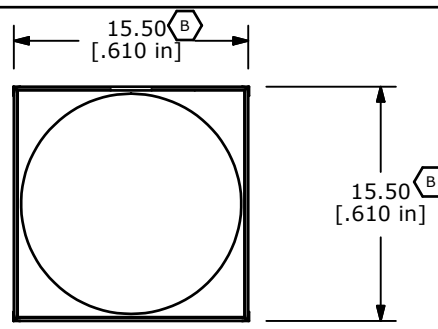
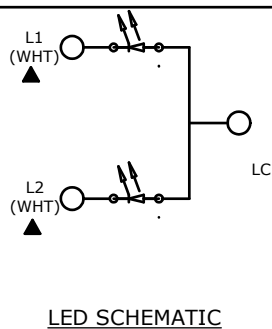



NOTES:

1. ALL DIMENSIONS IN MM [INCH]
2. GENERAL TOLERANCE: X.X=± 0.4  
X.XX=± 0.25
3. TERM. NOS. FOR REFERENCE ONLY.
4. RATING: 12VDC, 12mA; DPST
5. CONTACT MATERIAL: GOLD
6. CONTACT RESISTANCE: 50 MILLI-OHM MAX.
7. INSULATION RESISTANCE: 500VDC, 100 MEGA-OHM MIN.
- ▲ 8. OPERATING FORCE: 200± 100GF
9. OPERATING LIFE: 200,000 CYCLES
10. OPERATING TEMP: -20°C TO +70°C
- ▲ 11. LED COLORS: WHITE
12. TRAVEL: 2.20mm±0.20
13. 2002/95/EC (ROHS) COMPLIANT
14. ▲ DENOTES CRITICAL PARAMETER.



▲ LED SPECS	UNITS	WHITE
FORWARD CURRENT	mA	20
FORWARD VOLTAGE @20mA	V	3.2 Typ-3.7 Max
LUMINOUS INTENSITY @ 10mA	mcd	78.5

REV	PCR NO	DESCRIPTION	DATE	BY
B	19589	CHANGED DIMS: was 15.6 & 5.07	1/14/11	BGL
A	18942	New Release	3/15/10	rc


**E-SWITCH™**

TITLE LP60A2ASWW

SCALE 2=1	DATE 3/15/2010	DR rc	DWG B220006	REV B
-----------	----------------	-------	-------------	-------