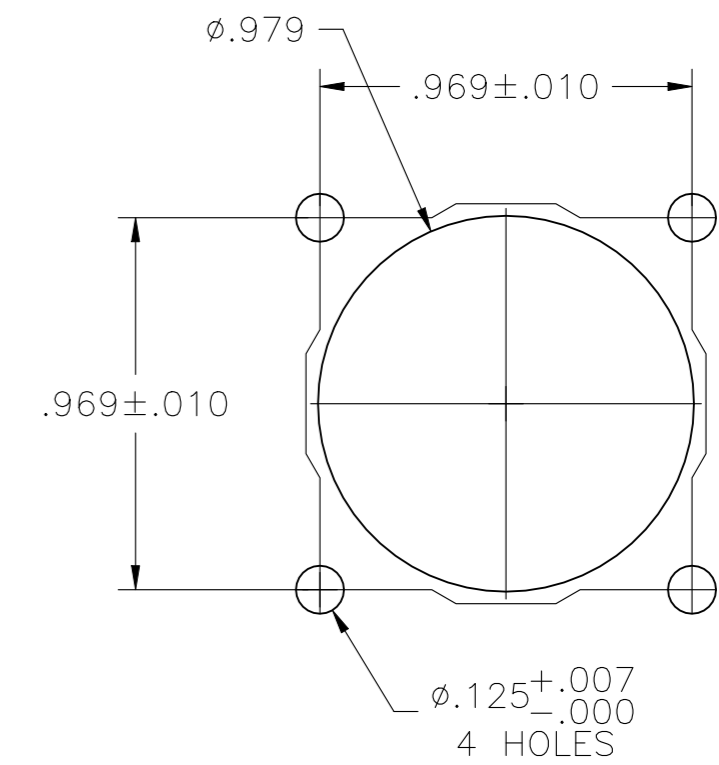
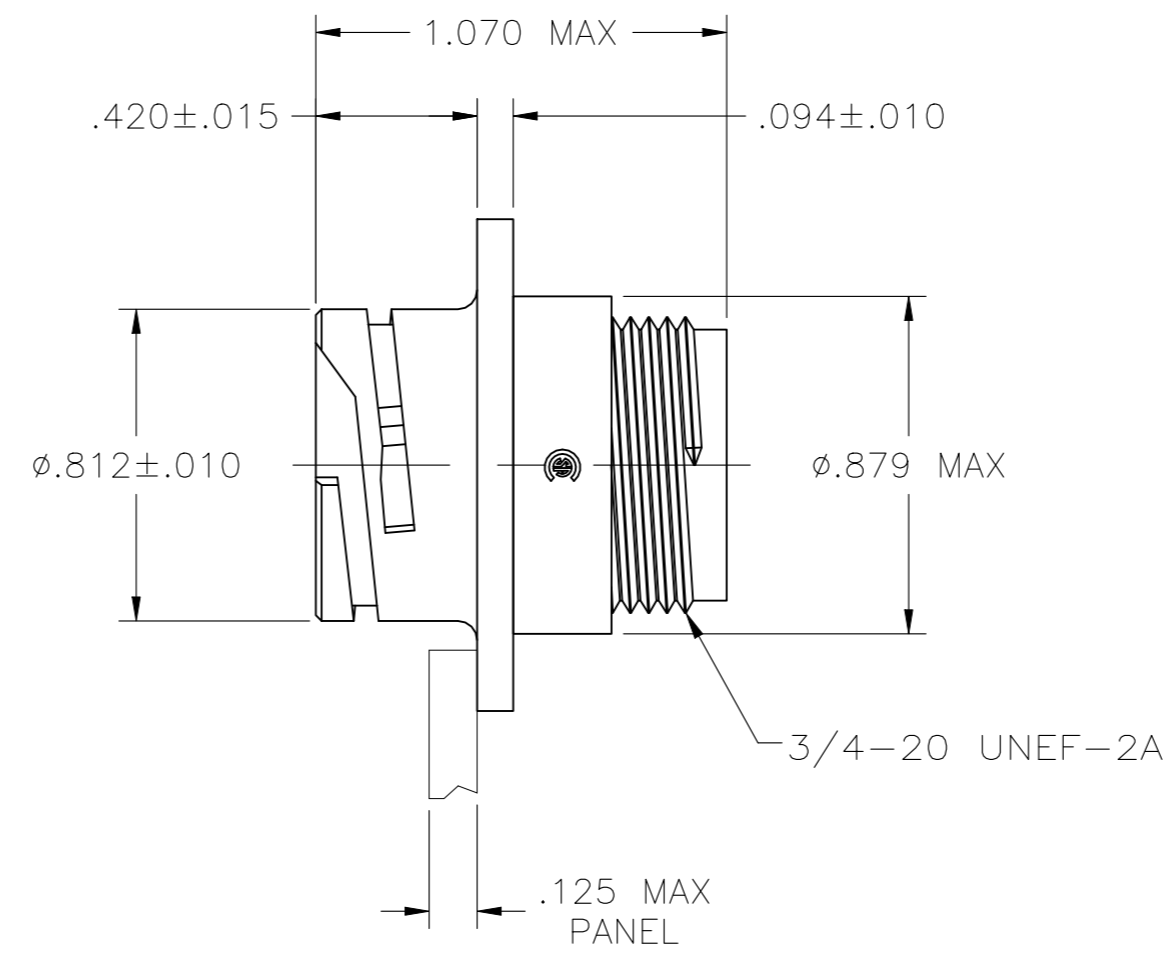
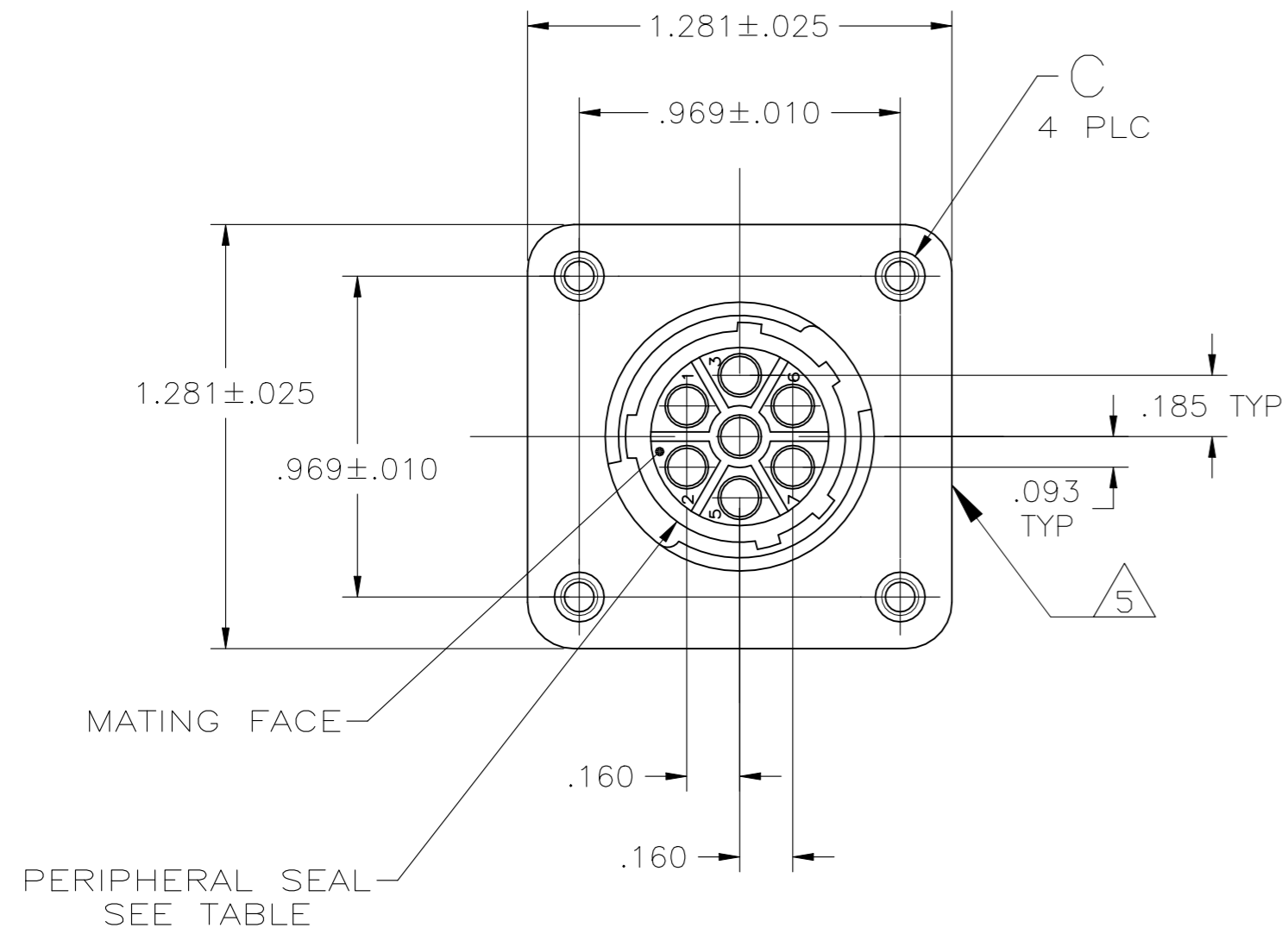
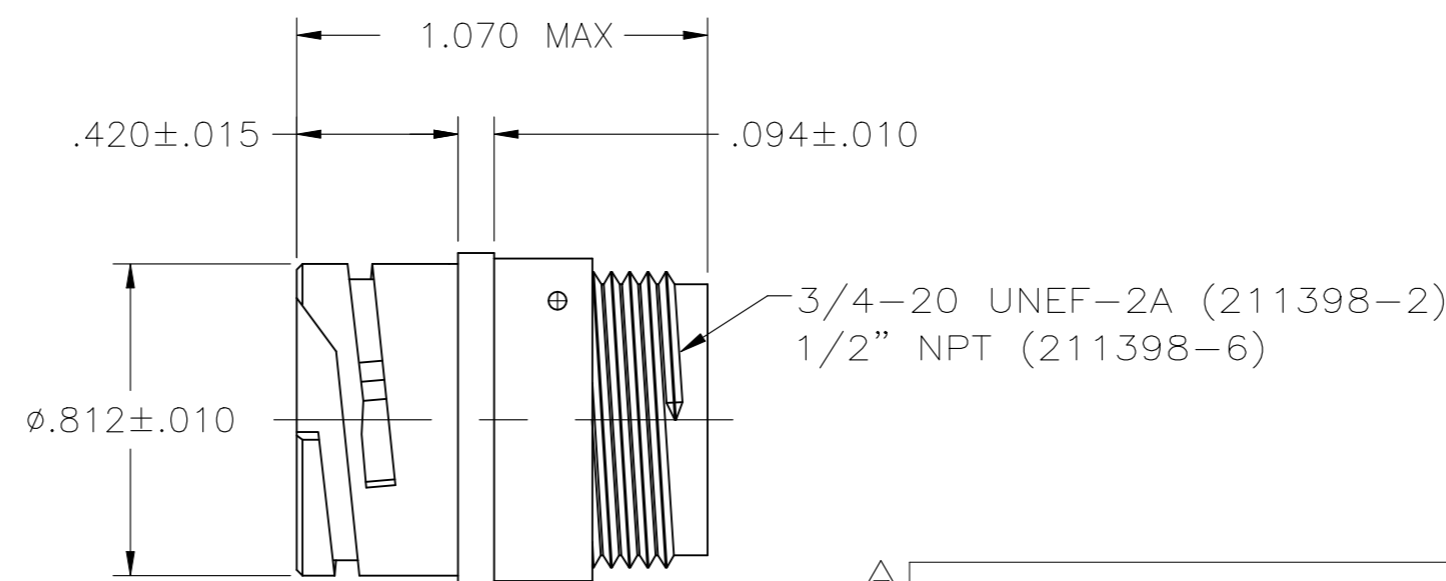
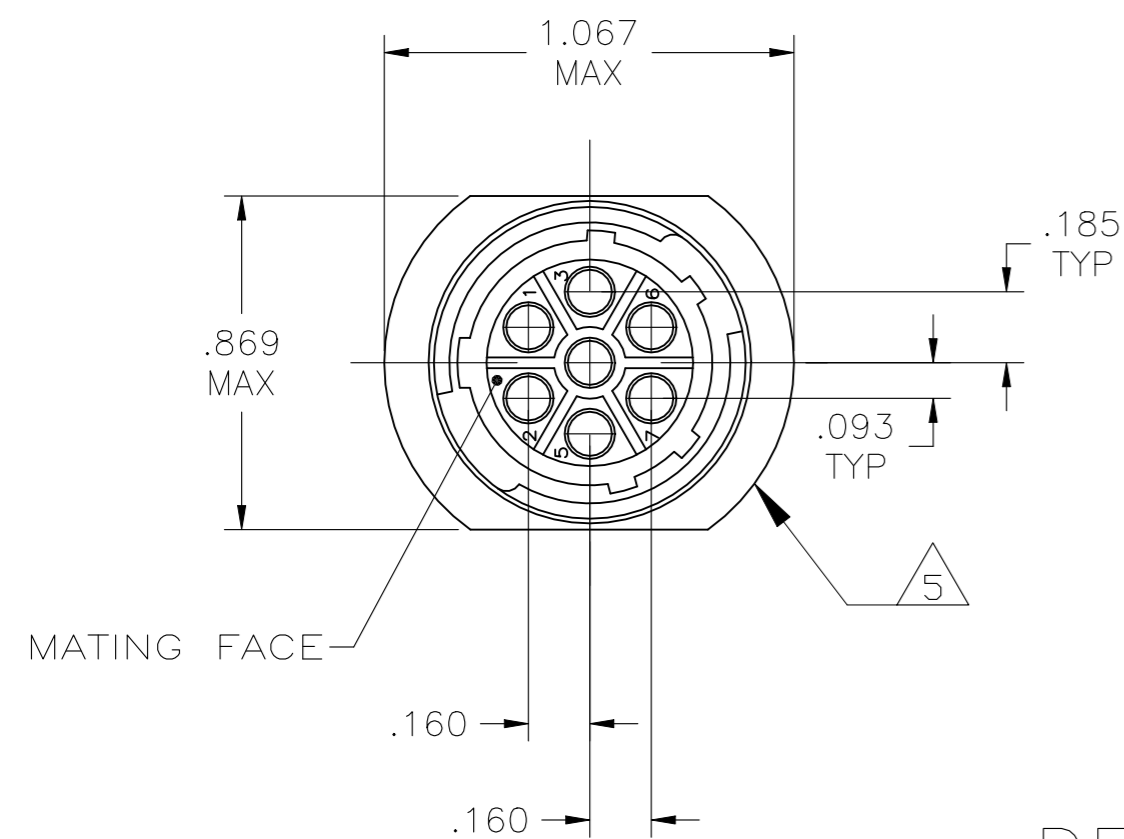


REVISIONS					
P	LTR	DESCRIPTION	DATE	DWN	APVD
P		REVISED PER ECN-22-176166	26SEP2022	RK	MZ



RECOMMENDED PANEL CUTOUT

DETAIL A



DETAIL B

3	-	NO	B	211398-6
3	4-40 THREADED INSERTS	YES	A	211398-5
	4-40 THREADED INSERTS	NO	A	211398-4
	$\phi.125\pm.005$	YES	A	211398-3
	-	NO	B	211398-2
	$\phi.125\pm.005$	NO	A	211398-1
	C	PERIPHERAL SEAL	SEE DETAIL	PART NUMBER

NOTES:

- CAVITY IDENTIFICATION ON FRONT AND REAR FACE.
- WILL ACCEPT SEVEN (7) MULTIMATE SOCKET CONTACTS.
- OBsolete PART NUMBER.

- COMPARATIVE TRACKING INDEX OF HOUSING MATERIAL PER UL746A=400 MIN.
- TE LOGO AND PART NUMBER LOCATED ON ANY FLANGE EDGE.

THIS DRAWING IS A CONTROLLED DOCUMENT.		DWN 07-27-94 D.HARDY		
DIMENSIONS: INCHES		CHK 08-10-94 R.STONE		
TOLERANCES UNLESS OTHERWISE SPECIFIED:		APVD 10-03-94 A.FRANTUM	NAME RECEPTACLE, HOUSING, REVERSE SEX, 13-7, CPC	
		PRODUCT SPEC	-	
MATERIAL NYLON, BLACK		FINISH -	WEIGHT -	RESTRICTED TO -
CUSTOMER DRAWING		SCALE 2:1	SHEET 1 OF 1	REV P