



Copyright FCI.

A

B

C

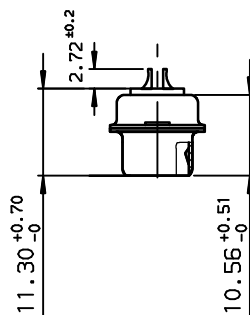
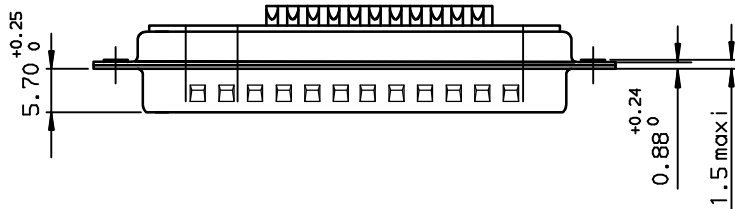
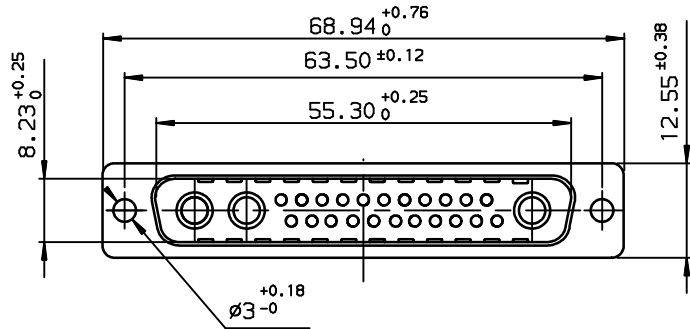
D

A

B

C

D



TIN LEAD PART NUMBER

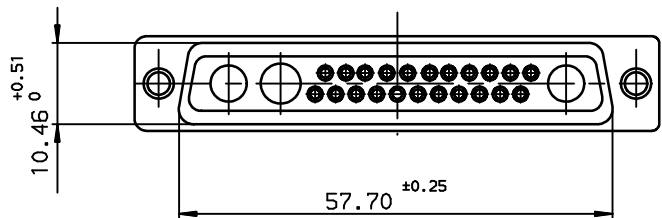
DC25W3PA00

PART NUMBER

LEAD FREE PART NUMBER

DC25W3PA00LF

PART NUMBER



GENERAL CHARACTERISTICS AND ROHS INFORMATIONS:  
SEE DRAWING C01-8639-0003

European Views

rev	ecn no	dr	date
B	-	BAR	2003/10/20
C	LS05-005	MPE	2005/03/16
D	LS06-0095	LGO	2006/07/19
-	-	-	-
-	-	-	-
-	-	-	-
-	-	-	-

www.fciconnect.com		surface ISO 1302 ✓	tolerance std ISO 406 ISO 1101	projection 	mm ↔
TOLERANCES UNLESS OTHERWISE SPECIFIED					
Dr	JARRY	1996/03/27	ANGULAR	0.x ±0.1	size A3
Eng	PESSON	1996/03/27	LINEAR	0.xx ±0.1	Scale 1.5
Chr	LEGARE	1996/03/27	0.xx* ±2*	0.xxx ±0.1	ECN LS06-0095
Appr	LEGARE	1996/03/27	Product family	D-SUB	Spec ref -
			<b>PIN CONNECTOR FOR POWERS</b> CONTACTS .		Rev. no <b>C01-8639-0478</b> D
catalog no			-		CUSTOMER sheet 1 of 1

REV F - 2006-04-17