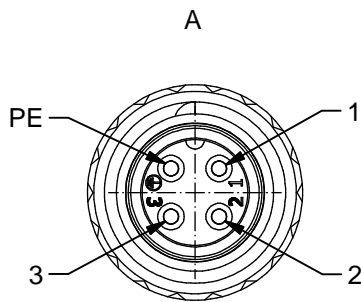


**Technical specification:**

Rated voltage: IEC 60664-1	300 V
Current rating: IEC 60512-3	13 A at 40°C
Insulation resistance: IEC 60512	>=100 MΩ
Pollution degree: IEC 60664-1	3/2
Degree of protection: IEC 60529	IP 67, in mated condition
Temperature range:	-25°C ... +80°C
Mating cycles: IEC 60512-9a	>=100

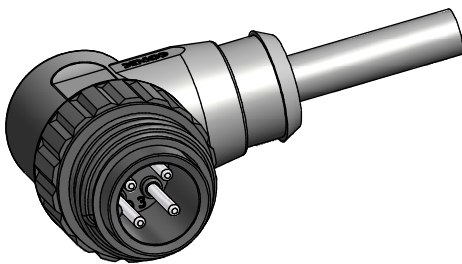
**Materials:**

Contact:	CuZn
Contact plating:	Nickel, silver plated
Contact carrier:	PA GF, UL 94
Coupling screw:	PA GF, UL 94
Moulding body:	TPU, UL 94, grey



**Contact assignment:**

1	■ brown
2	■ blue
3	■ black
PE	■ green-yellow



D see data sheet cable

Part no:	Description:	Length L:	Cable:
41-51012	SAL - 24 - RSW3PE - 2 / A3	2m	PVC, UL 2464, grey, 4x1,5mm <sup>2</sup> Cable: 781-A38400
41-51013	SAL - 24 - RSW3PE - 3 / A3	3m	
41-51014	SAL - 24 - RSW3PE - 5 / A3	5m	
41-51015	SAL - 24 - RSW3PE - 10 / A3	10m	
41-xxxxx	SAL - 24 - RSW3PE - ... / A3	x	

DO NOT ALTER CAD DRAWING BY HAND Directive 2011/65/EU RoHS compliant	Index:c 03.03.2014 rbo - Ä5117 technical specification changed, Temperature range was -40°...+80°	dim. in mm		title:  <b>Male connector RD24 angled</b>
	tolerance of cable: L ≤ 4m: L + 40mm L > 4m: L + 1%	drawn	19.10.07	
		appd.	19.10.07	Franz
	general tolerance: 0 ± 0,50mm 0,0 ± 0,25mm 0,00 ± 0,10mm			dwg no:  <b>41K1A334</b>
THIS DRAWING MAY NOT BE COPIED OR REPRODUCED IN ANY WAY, AND MAY NOT BE PASSED ON TO A THIRD PARTY WITHOUT WRITTEN PERMISSION. OWNERSHIP AND COPYRIGHT OF CONEC GmbH				part no: