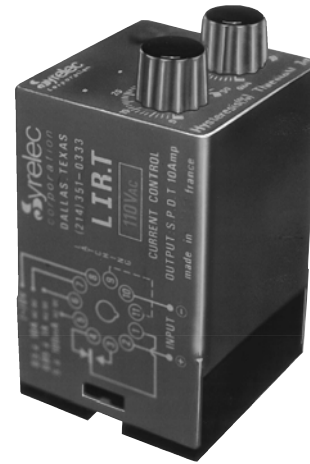


IR.T SERIES CURRENT CONTROL RELAY

UL listed CSA recognized



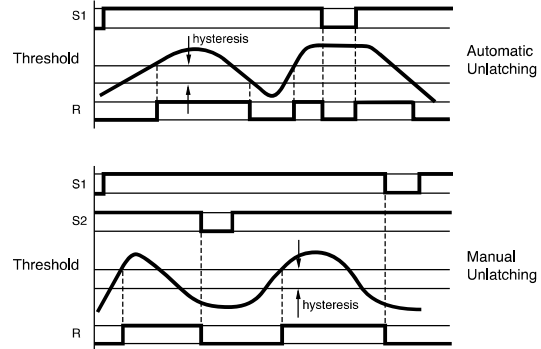
- Automatic or Manual Control
- Start-up Inhibit
- Adjustable Hysteresis
- Multiple Voltages
- LED Relay Status Indicator

1. AC Current Control Without Latching:

The output relay is energized when the current (peak current on AC) overshoots the level selected on the potentiometer. It de-energizes when the current falls below the normal current by 5 to 50% or when input power breaks. The hysteresis is controlled by a top mounted potentiometer and its selection does not change the chosen current level.

2. AC Current Control With Latching:

The output relay is energized when the current reaches the selected value and stays latched. The contact between terminal B1 and B2 (or 11 and 9) should be opened or input power to the device interrupted to reset. In this case, it is preferable to reduce the hysteresis 5%.



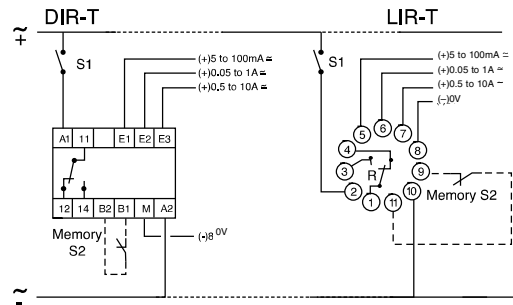
SPECIFICATIONS:

Input	24 VDC, 24, 48, 110, 220 VAC			
	±15%, 50/60 Hz			
Power consumption	3 VA maximum			
	CONTROL RANGE	PERMITTED	OVERLOAD	
	DC	AC	INPUT	LESS THAN
	CURRENT	CURRENT	RESISTANCE	PERMANENTLY
	5 to 100 mA	3.5 to 70.7 mA	1 ohm	1.5 V
	0.05 to 1 A	0.035 to 0.707 A	0.1 ohm	5 A
	0.5 to 10 A	0.35 to 7.07 A	0.01 ohm	15 A
				55 A
Hysteresis selection	5 to 50% of input current			
Repeat accuracy	±2% at a constant ambient			
Response time	100 ms On Make			
	200 ms On Break			
Output Relay	SPDT Relay			
Contact material	AgCdO			
Maximum loading	10 A AC resistive 1 A DC inductive			
Maximum switching voltage	250 VAC or DC			
Relay maximum power rating	2500 VA 30W			
Mechanical life of relay	30 x 10 ⁶ operations			
Electrical life of relay	2 x 10 ⁶ at 2500 VA resistive load			
Operating temperature	+14°F to + 140°F -10°C to +60°C			
Weight	7 oz. (200g)			

Option: 24 VDC power - the voltage and the measured current must be from separate sources.

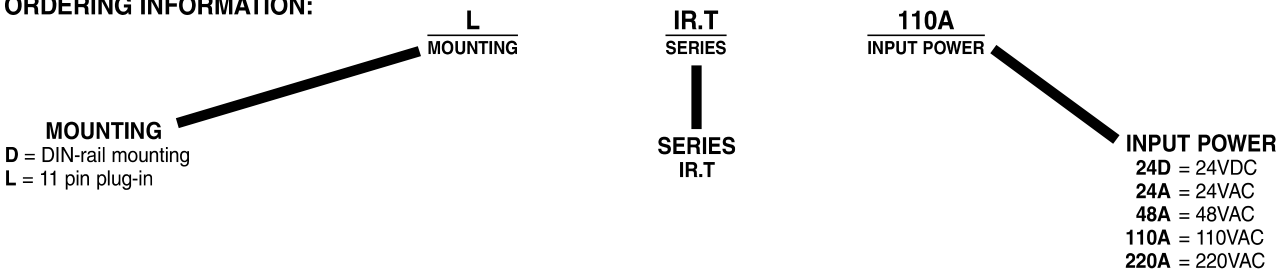
Note: It is recommended that the unit be adequately fused.

WIRING DIAGRAM:



Note: Upon energization of the current control IR.T Series Relay, the time delay, which is adjustable from .1 to 10 seconds, inhibits the output relay during start-up periods. The delay time is adjustable via a potentiometer located on the side of the case. Applies to both versions, with and without latching.

ORDERING INFORMATION:



Products and specifications subject to change without notice.

Order/Technical Support – Tel: (800) 677-5311 / FAX: (800) 677-3865 / www.crouzet-usa.com

IAR.T SERIES CURRENT CONTROL RELAY

UL listed CSA recognized

- **Automatic or Manual Control**
- **Start-up Inhibit**
- **Adjustable Hysteresis**
- **Multiple Voltages**
- **5 to 100 Amp RMS**



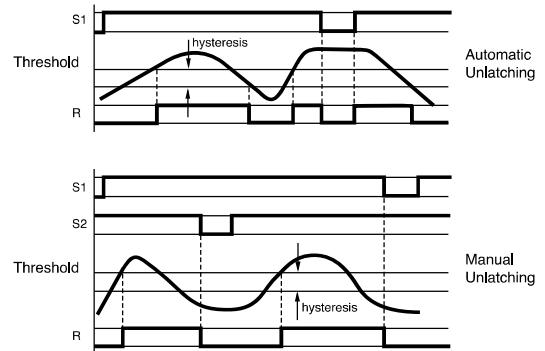
The DIAR.T is a current control which is capable of sensing up to 100 Amps. It requires a stepdown transformer, T1 100. The transformer has a 0.4" diameter center hole through which a current carrying lead is routed. Automatic or manual unlatching is available in each unit.

1. AC Current Control Without Latching:

The output relay is energized when the AC current overshoots the level selected on the potentiometer. It de-energizes when the current falls below the selected current by 5 to 50% or when input power breaks. The hysteresis is controlled by a top mounted potentiometer and its selection does not change the chosen current level.

2. AC Current Control With Latching:

The output relay is energized when the current reaches the selected value and stays latched. The contact between terminal B1 and B2 (or 11 and 9) should be opened or input power to the device interrupted to reset. In this case, it is preferable to reduce the hysteresis 5%.



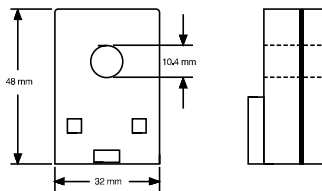
SPECIFICATIONS:

Input	24 VDC, 24, 48, 110, 220 VAC	
	±15%, 50/60 Hz	
Power consumption	3 VA maximum	
Hysteresis selection	5 to 50% of input current	
Repeat accuracy	±2% at a constant ambient	
	±5% with temperature variation	
	VDE 0435	
Response time	100 ms On Make	
	200 ms On Break	
Output Relay	SPDT Relay	
Contact material	AgCdO	
Maximum loading	10 A AC resistive	1 A DC inductive
Maximum switching voltage	250 VAC	30 VDC
Relay maximum power rating	2500 VA	30 W
Mechanical life of relay	30 x 10 ⁶ operations	
Electrical life of relay	2 x 10 ⁶ at 2500 VA resistive load	
Operating temperature	+14°F to +140°F	-10°C to +60°C
Weight	7 oz. (200g)	

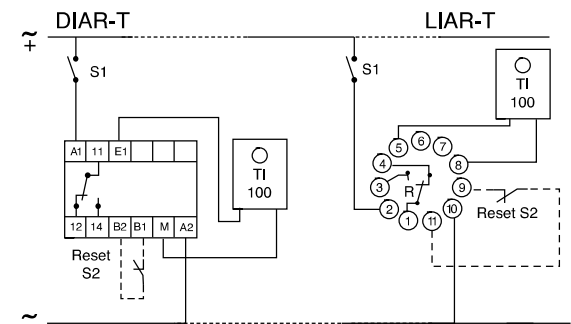
TRANSFORMER: (Part Number 74 525 305)

Current Range: 5 to 100 A RMS

Maximum Overload: 1 max = 150 A

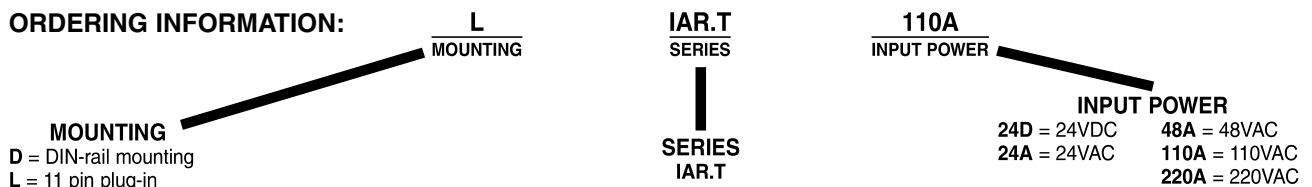


WIRING DIAGRAM:



Note: Upon energization of the current control IAR.T Series Relay, the time delay, which is adjustable from .1 to 10 seconds, inhibits the output relay during start-up periods. The delay time is adjustable via a potentiometer located on the side of the case. For additional current transformer see "Accessories" section: L595 Series. Page 2/99

ORDERING INFORMATION:



Products and specifications subject to change without notice.

Order/Technical Support – Tel: (800) 677-5311 / FAX: (800) 677-3865 / www.crouzet-usa.com

