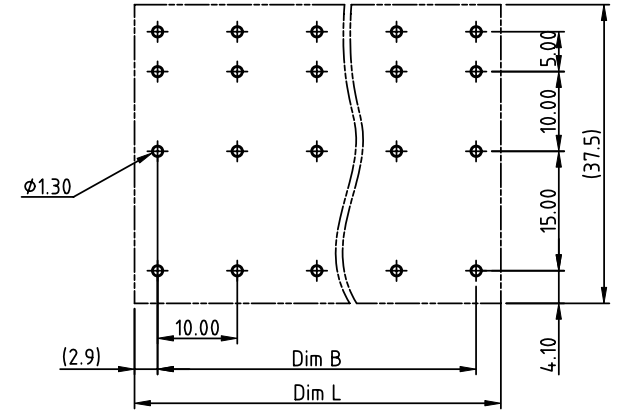
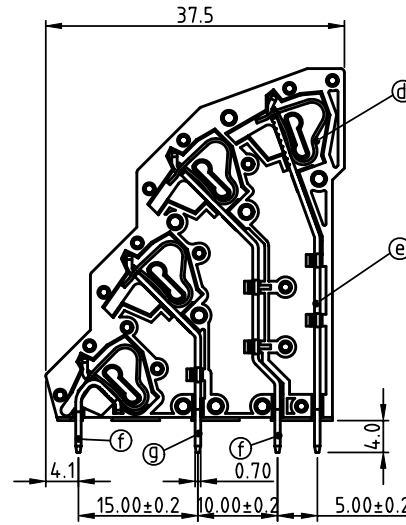
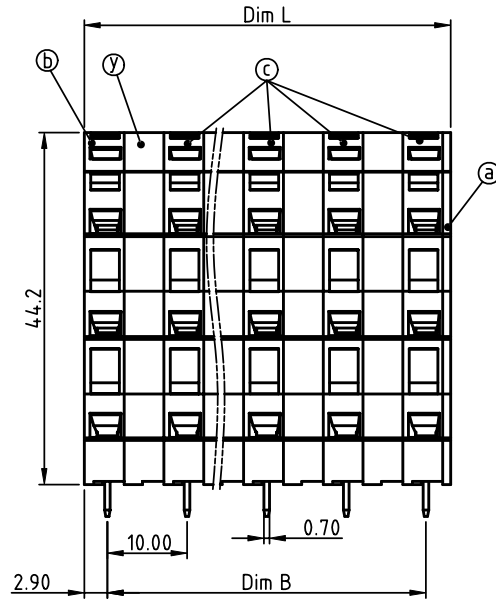


PRODUCT NUMBER	PITCH
HSxx20x000J0G	10.00mm



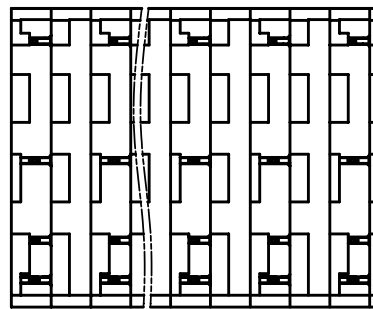
RECOMMENDED P.C.B LAYOUT
TOP VIEW

Material:

- Item (a) Insulator(Cover): Thermoplastic (UL94 V-0)
- Item (b) Insulator(Side housing): Thermoplastic (UL94 V-0)
- Item (c) Insulator(Middle housing): Thermoplastic (UL94 V-0)
- Item (d) Spring clamp: Stainless steel
- Item (e) Solder Pin (The fourth layer): Brass, Tin plated
- Item (f) Solder Pin (The third layer): Brass, Tin plated
- Item (g) Solder Pin (The second layer): Brass, Tin plated
- Item (h) Solder Pin (The first layer): Brass, Tin plated
- Item (y) Insulator(pad board): Thermoplastic (UL94 V-0)

Electrical:

- Voltage rating: 300V
- Current rating: 10A
- Wire range:
 - Solid wire(AWG): 12-28
 - Stranded wire(AWG): 12-28
 - Wire strip length: 6-7mm
- Withstanding Voltage: 1.6KV
- Operating temperature: -40°C to +115°C
- Soldering temperature: 260°C±5°C/5 Sec
- Safety Approval: UL



PART NO.: HS xx 20 x 000J0 G

N=Number of poles
Dim L=N/4×10.0+1.0
Dim B=(N/4-1)×10.0

Poles	Dim L	Dim B
4×2p-4×4p	±0.25	±0.25
4×5p-4×8p	±0.35	±0.30
4×9p-4×12p	±0.45	±0.40

No. of poles	Color	RoHS compliant
0	Black (RAL9005)	(lead<4%) In copper Alloy
08 4x2 poles	2 Red (RAL3001/D)	
12 4x3 poles	3 Orange(RAL2011/P)	
... ..	4 Yellow(RAL1018/A)	
... ..	5 Green(RAL6018/T)	
48 4x12 poles	6 Blue (RAL5015/A)	
	8 Grey(RAL7004/P)	
	9 White(RAL1102)	
	C Multiple colors	

mat'l. code		surface ASME Y14.5	tolerance ASME Y14.5	projection	product family TERMINAL BLOCK
ltr ecn no dr date		tolerances unless otherwise specified			title TERMINAL BLOCK SPRING CLAMP,45D WIRE INLET,4-LEVEL, PARALLEL TYPE
angles		X.±0.5		MM	scale
X'±1"		X.X±0.3			dwg no HSxx20x000J0G
dr EVIN ZHONG		053114			sheet 1 of 1 size A4
enr EVIN ZHONG		053114			type CUSTOMER Drawing
chr HANKE FENG		053114			
appd SHI JUN		053114			
sheet index	revision sheet	A	1		