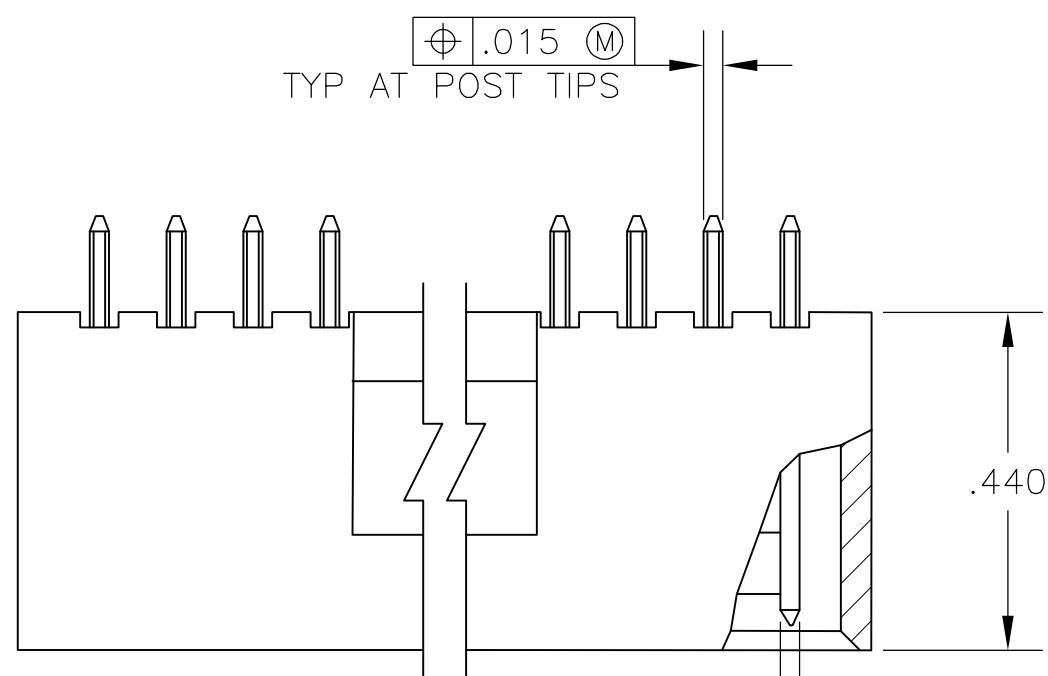
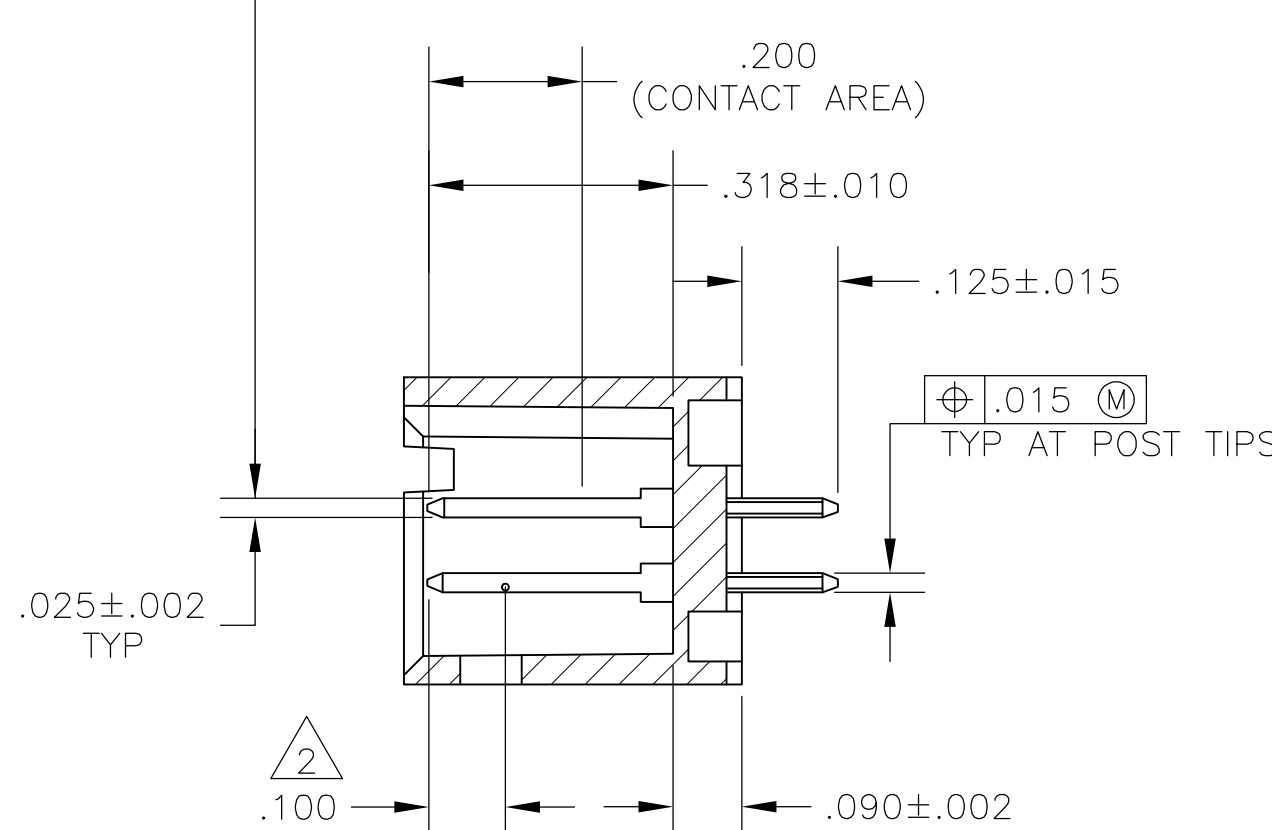
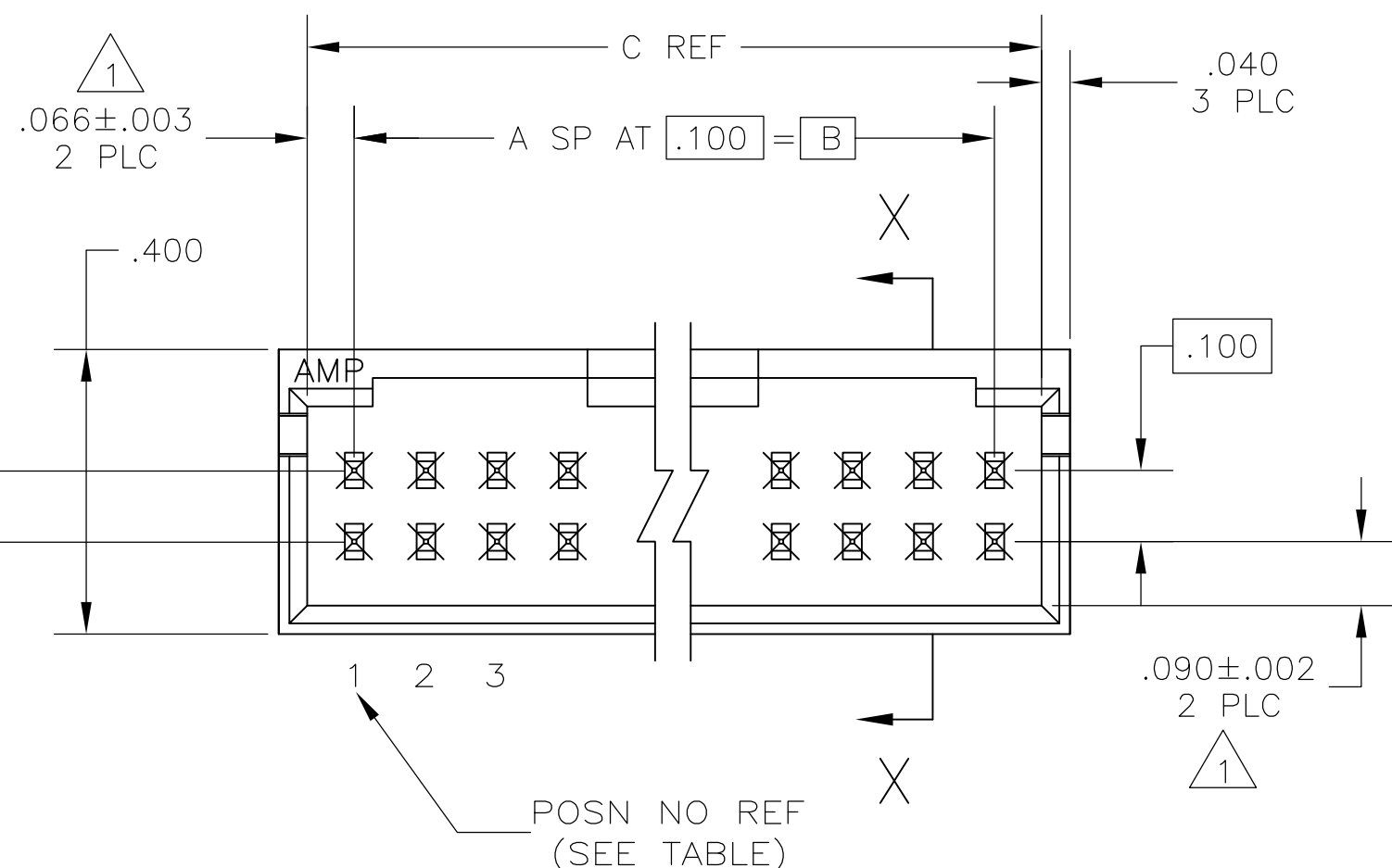


THIS DRAWING IS UNPUBLISHED. RELEASED FOR PUBLICATION  
 © COPYRIGHT BY TYCO ELECTRONICS CORPORATION. ALL RIGHTS RESERVED.

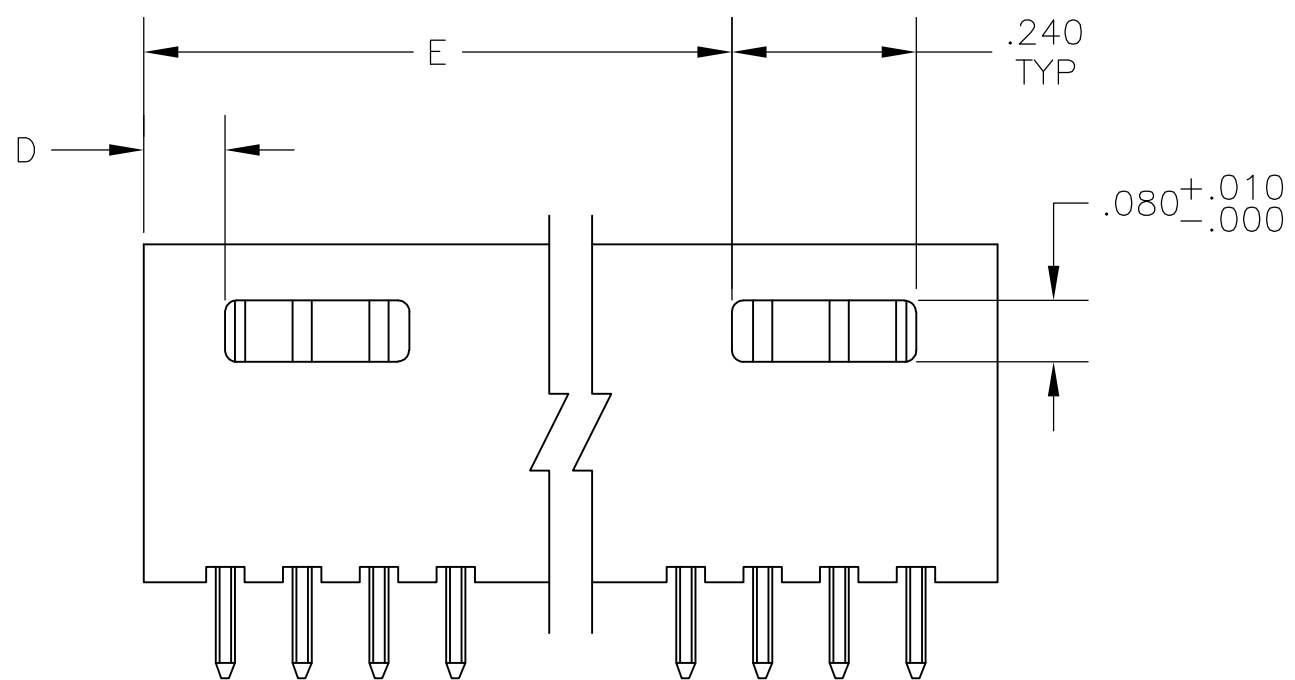
LOC		DIST		REVISIONS			
P	LTR	DESCRIPTION	DATE	DWN	APVD		
	B	EC 0G3C 0216 05	27DEC05	BSV	JLG		
	B1	REVISED PER ECO-09-020935	27AUG09	KK	AEG		



- 1 THE NOTED DIMENSIONS APPLY AT THE INTERSECTION OF THE POST AND HOUSING
- 2 POINT OF MEASUREMENT FOR PLATING THICKNESS
- 3 MATERIAL: HOUSING, FLAME RETARDANT THERMOPLASTIC, COLOR-BLACK. POSTS: PHOS BRONZE.
- 4 .000030 GOLD IN CONTACT AREA, .000100 -.000200 MATTE TIN-LEAD ON SOLDER TAIL, ALL OVER .000050 NICKEL.
- 5 .000030 GOLD IN CONTACT AREA, .000100 -.000200 MATTE TIN ON SOLDER TAIL, ALL OVER .000050 NICKEL.
- 6 OBSOLETE PARTS: OBSOLETE CIS STREAMLINING PER D.RENAUD/D.SINISI



SECTION X-X



6 OBSOLETE	5	1	-	---	.206	.532	.400	4	10	<del>5-147706-1</del>	
		1	-	---	.206	.532	.400	4	10	147706-1	
PLATING		ROW M	ROW N		E	D	C	B	A	NO OF POSN	ASSEMBLY PART NUMBER
		POST OMITTED									

THIS DRAWING IS A CONTROLLED DOCUMENT.

DWN B. HAYMAKER 05DEC00  
 CHK J. GESFORD 05DEC00  
 APVD J. GESFORD 05DEC00

Tyco Electronics Corporation  
 Harrisburg, PA 17105

NAME: HDR ASSY, MOD II, SHROUDED, 4 SIDES, DBL ROW, VERTICAL, .100X.100 C/L WITH .025 SQ POSTS, SELECT LOAD

SIZE: A2 CAGE CODE: 00779 DRAWING NO: 147706 RESTRICTED TO: -

MATERIAL: 4 SEE TABLE FINISH: SEE TABLE WEIGHT: - SCALE: 4:1 SHEET: 1 OF 1 REV: B1

CUSTOMER DRAWING