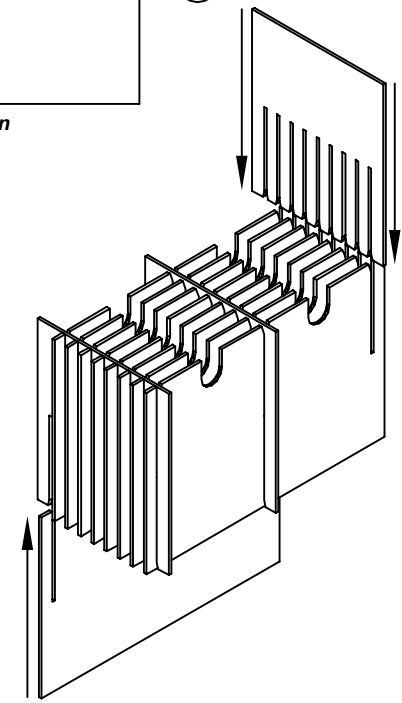
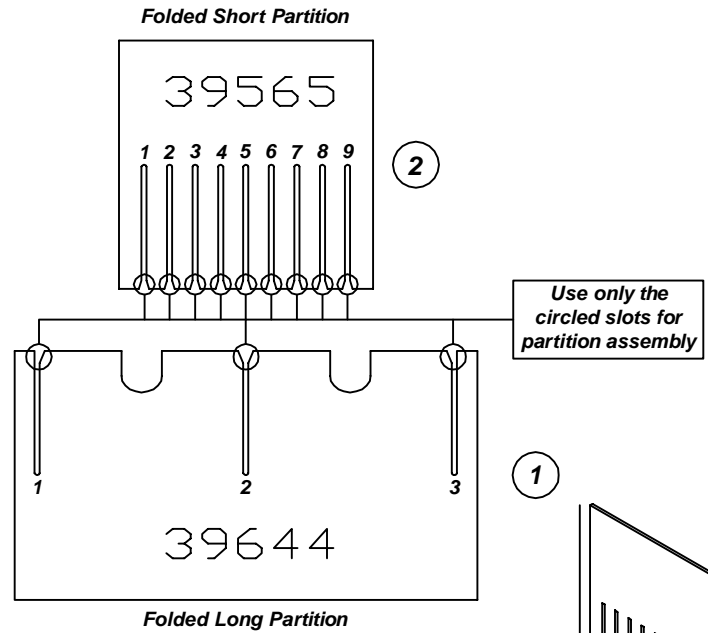
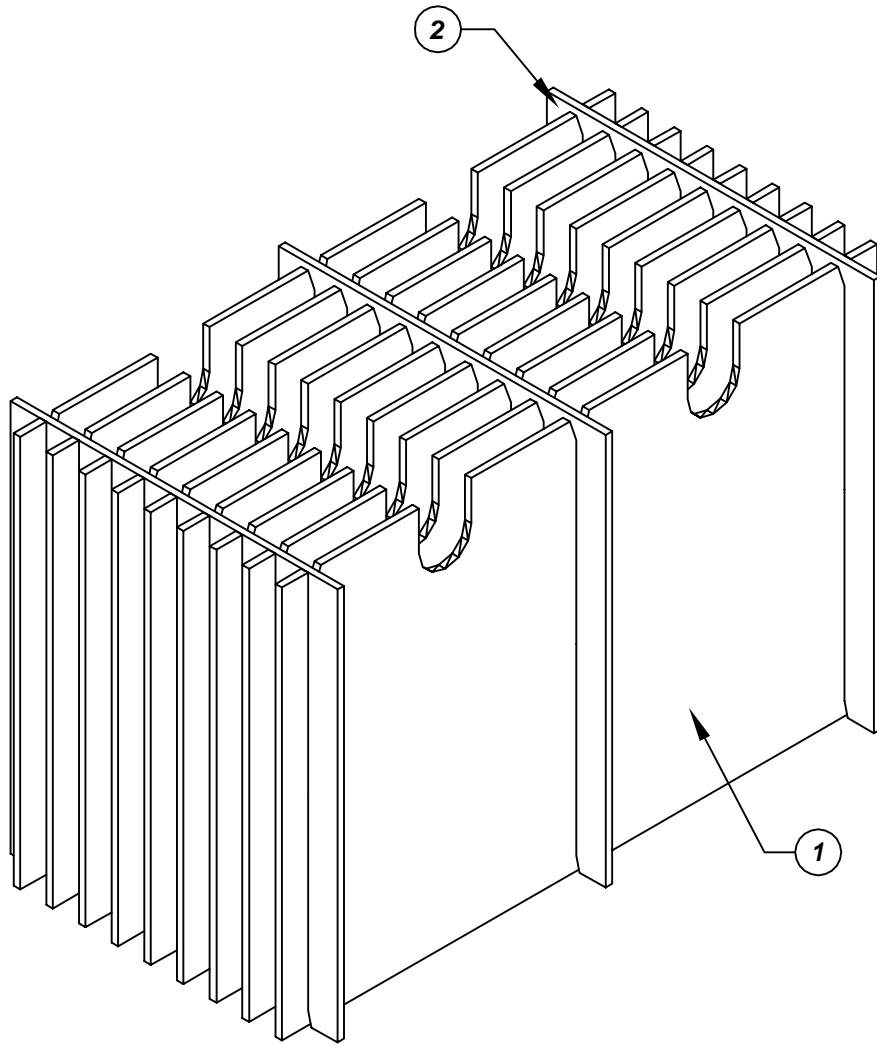


Assembly Instructions for - 37279



Made in America

F/N 1	Part # 39644	Dimensions: 30-1/4" x 22-3/4"	Description: 408/445-LP Long Partition	Qty: 9
F/N 2	Part # 39565	Dimensions: 30-1/16" x 12-1/2"	Description: 445-SP Short Partition	Qty: 3

Notes:
For use with the following storage container & lid:
37515 - Storage Container
37552 - Lid

PROTEKTIVE PAK
13520 MONTE VISTA AVENUE, CHINO, CA 91710
PHONE (909) 627-2578, FAX (909) 363-7331
ProtektivePak.com



DRAWING NUMBER
IPH-37279

DATE
Dec. 2007

37279 - 20 Cell Inplant Handler Cell Size - 15-1/4" x 10" x 1"