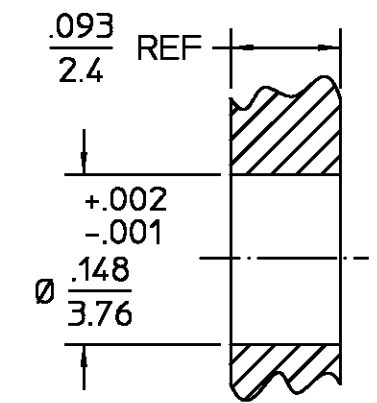


REVISIONS			
REV	DESCRIPTION	DATE	APPROVED
02 ₂	REVISED MTG DETAIL & ELECT SPECS ECN 99-0001	1/5/99	S. Morby

RECOMMENDED MOUNTING HOLE

DETAIL NOT TO SCALE



FOR SOLDER APPLICATIONS ONLY

ELECTRICAL	MECHANICAL	ENVIRONMENTAL
Nominal Impedance (Ohms) <u>50</u>	Interface Dimensions MIL-STD-348, Fig. 319.2	Temperature Rating <u>-65° To 125°C</u>
Frequency Range (GHz) <u>DC to 26.5</u>	Recommended Mating	Vibration MIL-STD-202, Method 204, Condition D
Volt Rating (VRMS MAX) @ Sea Level <u>250</u>	Torque <u>3-5 In-Lbs</u>	Shock MIL-STD-202, Method 213, Condition I
VSWR <u>1.05 + .014f(GHz)</u>	Mating Characteristics:	Thermal Shock MIL-STD-202, Method 107, Condition B,
Insertion Loss (dB MAX) <u>.05 √f(GHz)</u>	Insertion (MAX Lbs) <u>3.0</u>	Moisture Resistance MIL-STD-202, Method 106, Except Vibration
RF Leakage (dB MIN) <u>-[100-f(GHz)]</u>	Withdrawal (MIN Oz) <u>1.0</u>	Shall Be Omitted
Corona, 70,000 Ft (VRMS MIN) <u>190</u>	Force to Engage and Disengage (In/Lbs MAX) <u>2.0</u>	Corrosion - MIL-STD-202, Method 101, Condition B, 5% salt spray
Dielectric Withstanding Voltage (VRMS MIN) @ Sea Level <u>750</u>	Center Contact Captivation	
Contact Resistance (Milliohms MAX)	Axial (Lbs) <u>4.0</u>	
Center Contact <u>12.0</u>	Radial (In/Oz) <u>N/A</u>	
Outer Contact <u>2.0</u>	Cable Retention	
Cable to Housing <u>N/A</u>	Axial Force (Lbs) <u>N/A</u>	
RF High Potential @ Sea Level	Torque (In/Oz) <u>N/A</u>	
(VRMS MIN @ 5 MHz) <u>500</u>	Weight (Grams) <u>TBD</u>	
LR.(Megohms MIN) <u>5,000</u>		

COMPONENT	MATERIAL	FINISH
HOUSING	STAINLESS STEEL PER ASTM-A484 AND ASTM- A582, TYPE 303	GOLD PLATE PER MIL-G-45204
DIELECTRIC	PTFE FLUOROCARBON PER ASTM-D-1457	N/A
CENTER CONTACT	BERYLLIUM COPPER PER ASTM-B-196 OR ASTM-B-197, ALLOY C17300, CONDITION H	GOLD PLATE PER MIL-G-45204
CONTACT EXT	IRON-NICKEL-COBALT ALLOY PER MIL-I-23011 CLASS 1 (KOVAR)	GOLD PLATE PER MIL-G-45204
HERMETIC SEAL	GLASS BEAD	N/A

UNLESS OTHERWISE SPECIFIED DIMENSIONS ARE IN INCHES TOLERANCE ON FRAC. DEC. ANGLES ± 1/64 ±.005 ± °	DRAWN BY N. K.	DATE 3/7/85		AMP Incorporated	
	CHECKED BY K. H.	3/13/85		140 Fourth Avenue Waltham, MA 02451-7599	
These drawings and specifications are the property of M/A-COM Incorporated and shall not be reproduced or copied or used in whole or in part as the basis for the manufacture or sale of item(s) without written permission.	APPD BY P. N. G.	5/28/85	TITLE OSSM HERMETICALLY SEALED PANEL FEEDTHROUGH JACK RECEPTACLE STRAIGHT TERM.		
	USE ASS'Y PROCEDURE	NO. AP. <u>N/A</u>	SIZE B	CODE IDENT NO. 26805	1058-3203-00
			SCALE 10:1	REV 02 ₂	SHEET 1 OF 1

CUSTOMER DRAWING

AMP PART # 1045647-1
SHEET 1 OF 1 REV A