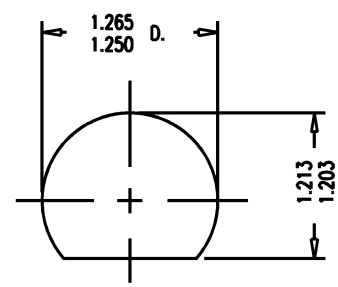
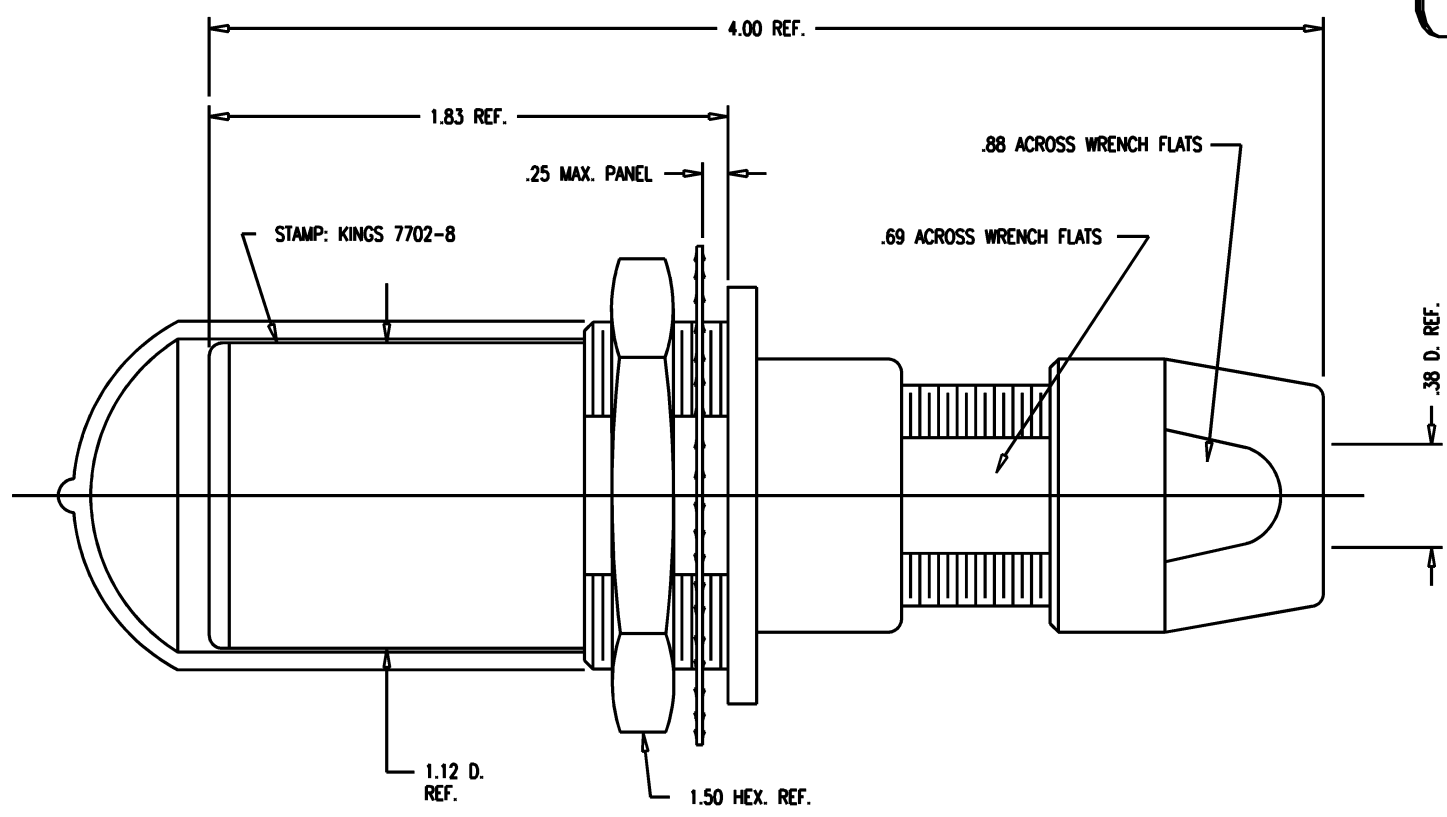


| | | |
|----------|--------|-----------|
| DASH NO. | M CODE | MADE FROM |
|----------|--------|-----------|

GSD

7702-8

| REVISIONS | |
|-----------|---------------------------|
| ISSUE | CHANGES |
| 0 | ER 35434 KH 04/17/95 |
| 1 | CN 37238 D KH 02/03/97 |
| 2 | CN 39531 C AM 07/12/06 |
| 3 | CN 39576 E AM 08/16/06 |



MOUNTING HOLE

GSD

NOTES:

- FOR USE WITH 730 CABLE GROUP.
- FOR CABLING INSTRUCTIONS SEE KAI-8010.
- FOR CABLE TRIMMING USE KTJ-303 AND KTD-303.
- FOR CRIMPING USE DIE KTH-2002.

- MATERIALS:**
 INSULATORS-TEFLON, ASTM-D-1457
 LOCKWASHER-SPRING STEEL, ASTM-A-682
 GASKETS-SILICONE RUBBER, ZZ-R-765
 CAP-VINYL
 K-GRIP SLEEVE-COMMERCIAL BRONZE, ALLOY 220
 CENTER CONTACT
 OUTER CONTACT SPRING } BER. COP., ASTM-B-196
 INSERT
 ALL OTHER METAL PARTS-BRASS, QQ-B-626

- FINISHES:**
 CENTER CONTACT
 OUTER CONTACT SPRING } GOLD PLATE PER MIL-G-45204
 LOCKWASHER }
 NUTS } KINGS TARNISH RESISTANT FINISH (TR-5)
 COLLET }
 BODIES }
 ALL OTHER METAL PARTS-SILVER PLATE PER QQ-S-365
- ELECTRICAL CHARACTERISTICS:**
 NOMINAL IMPEDANCE: 75 OHMS
 FREQUENCY RANGE: DC-500 MHZ
 VOLTAGE BREAKDOWN: CENTER CONDUCTOR/INNER GROUND: 1500 VRMS
 INNER GROUND/OUTER GROUND: 500 VRMS

| | |
|---|---------------|
| SCALE 2:1 | |
| APPROX SURFACE AREA | |
| USED ON | |
| REF: KP-8021-737-400 | |
| JACK, BULKHEAD, TRI-LOC SERIAL DIGITAL | |
| DRAWN KH | DATE 04/17/95 |
| DESIGN DW | DATE 04/18/95 |
| APPR. | DATE |
| ROCK HILL, SOUTH CAROLINA 29730 | |
| 7702-8 | |