

RECOMMENDED PCB LAYOUT  
AS VIEWED FROM COMPONENT SIDE

Specification 规格:

Electrical 电气规格:

Voltage Rating 电压额定值: 125 V AC (RMS)  
 Current Rating 电流额定值: 1.5 Amp  
 Contact Resistance 接触电阻值: 35mΩ Max.  
 Insulation Resistance 绝缘电阻值: 1000MΩ Min. @ 500 VDC  
 Dielectric Strength: 1000 VAC RMS 60Hz, 1 Min.

Material 物料规格:

Housing Material 塑胶外壳: Hi-Temp Thermoplastic UL94V-0, Black  
 Contact Material: Phosphor Bronze t=0.35mm  
 Plating 电镀规格: Gold Plating over Nickel  
 Operating Life: 750 Cycles Min.  
 PCB Retention Post Solder: 10 LBS Min.

Environmental:

Storage: -40°C to +85°C  
 Operation: -40°C to +85°C  
 IR Reflow Soldering Temperature: 255°C to 265°C, 5-10 seconds

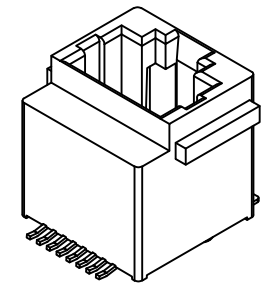
Ordering Grid

MJ3310 - 88 - X - X

No. of Positions/  
Positions Loaded  
88 = 8/8

Mylar Film - for pick and place  
 A = Without  
 B = With (Standard)

Contact Plating  
 2 = 6μ" Gold (Standard)  
 4 = 30μ" Gold  
 5 = 50μ" Gold



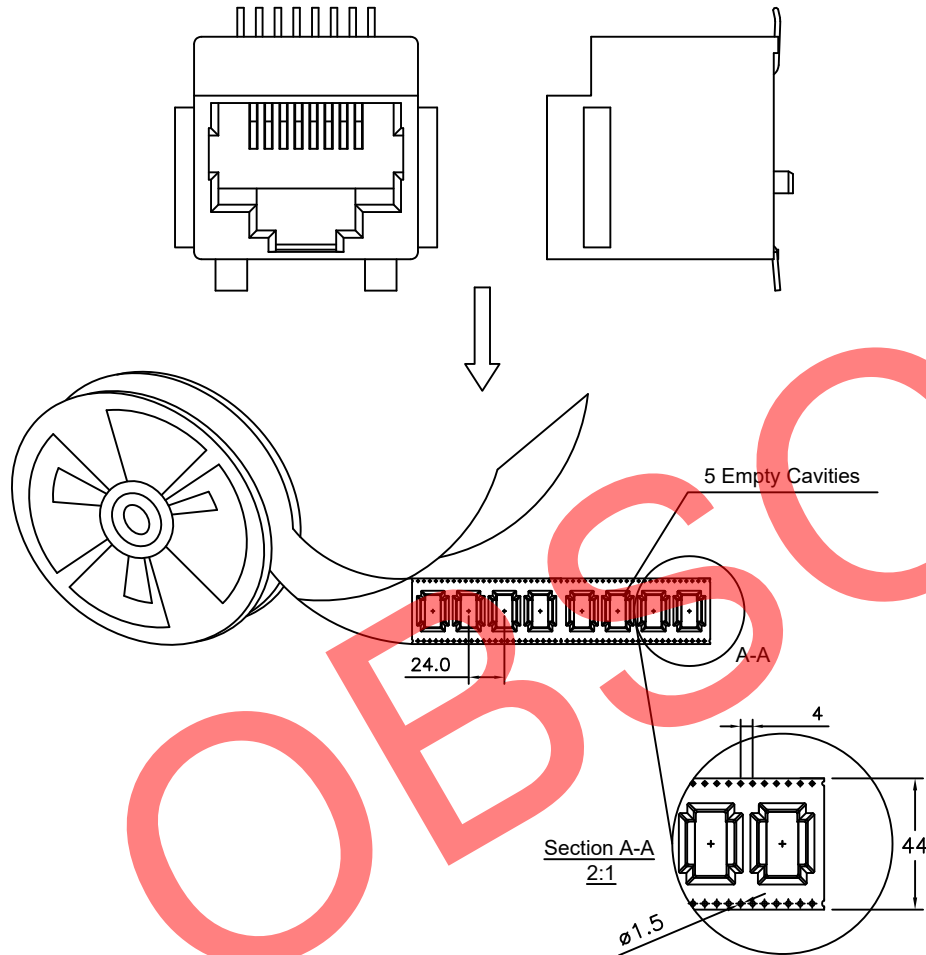
Part Number		Product Description	
MJ3310 - 8 Position		Modular Jack Connector, 8 Position, Category 3, Vertical SMT, Standard Profile, With Solder Tab, With PCB Peg	
Drawing Date		12th May 2010	
By	CC	Tolerances (Except as Noted)	Units:
Detail	Obsolete	Length X.X ± 0.20 X.XX ± 0.15 X.XXX ± 0.10	Metric (mm)
Revision	X	± 5°	
Date	17/08/22		
		This drawing is confidential and copyright of Global Connector Technology, Ltd (GCT). This drawing must not be copied or disclosed without written consent. E & OE	
		www.gct.co	
Not to Scale	Drawn By PKN	Sheet No. 1/2	

1. Packing Material 包材 - Tape Reel

Quantity 數量 - 1\*150=150 PCS

Tape Reel 卷帶 - Width 44 \* Depth 15.7 \* Pitch 24 = Total Length 4.1m

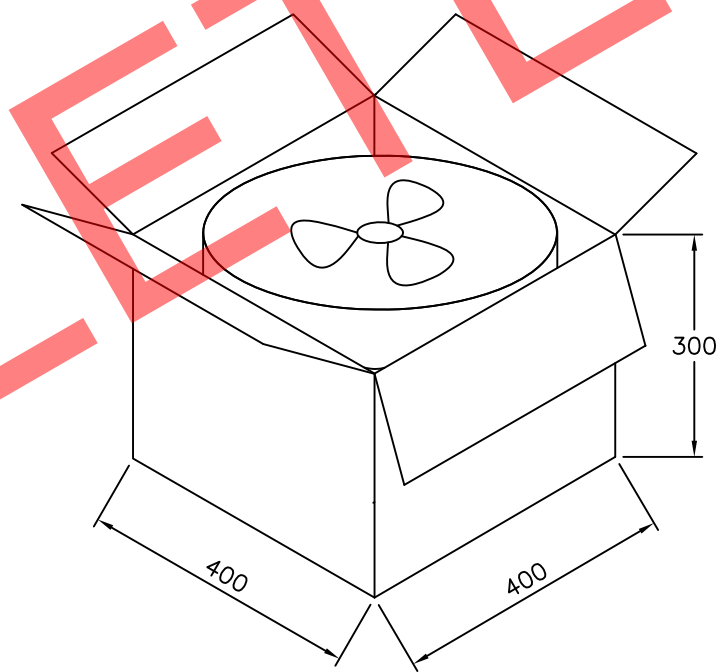
Reel 卷盤 -  $\phi 380$ mm



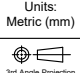


2. Packing Material 包材 - Carton 1 PC

Quantity 數量 - 150\*6=900 PCS

Part Number 零部件料号	Net Weight 淨重	Gross Weight 毛重	Q'TY 數量
MJ3310-88-X-X	7.00Kg	7.50Kg	900



Part Number MJ3310 - 8 Position		Product Description Modular Jack Connector, 8 Position, Category 3, Vertical SMT, Standard Profile, With Solder Tab, With PCB Peg		 www.gct.co
Drawing Date 12th May 2010				
By CC	Tolerances (Except as Noted) Length	Angle	Units: Metric (mm)	This drawing is confidential and copyright of Global Connector Technology, Ltd (GCT). This drawing must not be copied or disclosed without written consent. E & OE
Detail Obsolete				
Revision X				
Date 17/08/22				Not to Scale Drawn By PKN Sheet No. 2/2