

A

A

B

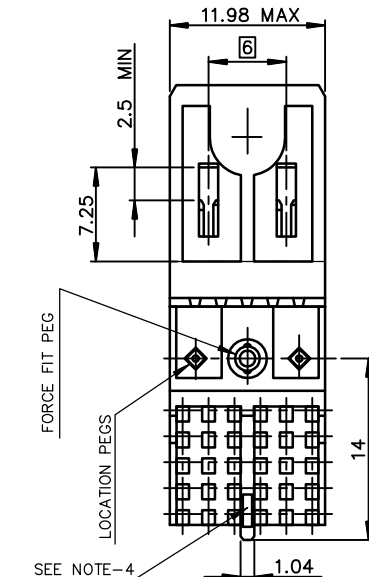
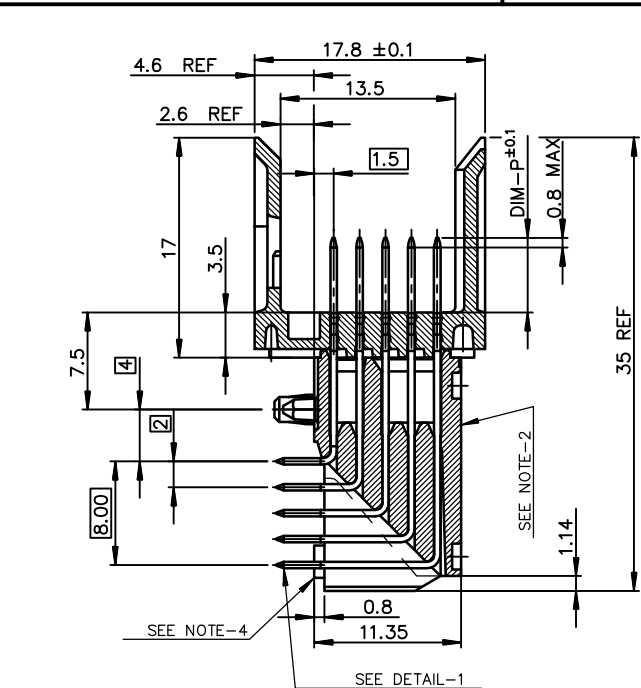
B

C

C

D

D



TIN LEAD PART NUMBER

Part Number: HM1L51xDP000HP

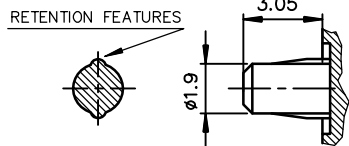
MATING LENGTH DIM-P / REPLACE 'x' BY:					
	ROW-A	ROW-B	ROW-C	ROW-D	ROW-E
A =	5.00	5.00	5.00	5.00	5.00
L =	5.75	5.75	5.75	5.75	5.75
D =	6.50	6.50	6.50	6.50	6.50
B =	6.50	5.00	5.00	5.00	5.00
C =	6.50	5.75	5.75	6.50	5.75

LEAD-FREE PART NUMBER

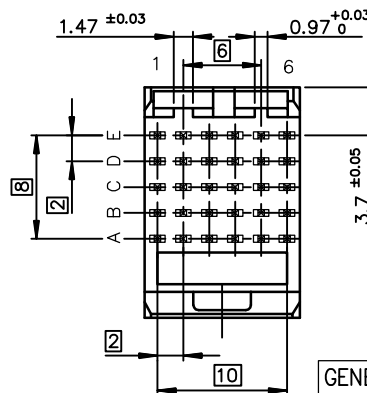
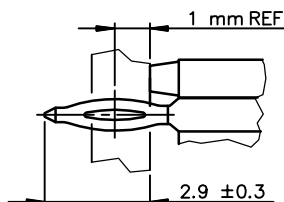
Part Number: HM1L51xDP000HPLF

MATING LENGTH DIM-P / REPLACE 'x' BY:					
	ROW-A	ROW-B	ROW-C	ROW-D	ROW-E
A =	5.00	5.00	5.00	5.00	5.00
L =	5.75	5.75	5.75	5.75	5.75
D =	6.50	6.50	6.50	6.50	6.50
B =	6.50	5.00	5.00	5.00	5.00
C =	6.50	5.75	5.75	6.50	5.75
N =	8.00	8.00	8.00	8.00	8.00

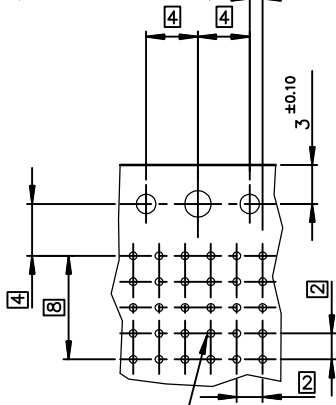
DETAIL OF FORCE-FIT PEGS



DETAIL-1: PRESS-FIT PIN



LAYOUT FOR P.C.B (PER 12mm LENGTH)



- NOTE-2: FLAT ROCK INSERTION TOOLING, ON ALL THIS SURFACE
- NOTE-3: EYE OF THE NEEDLE PRESS FIT PIN TYPE
- NOTE-4: REAR CENTRAL SUPPORT FOR BETTER ASSY ON PCB
- NOTE-5: IF SUFFIX "P" IS ADDED IN P/N PACKAGING IS IN TRAYS BUT CONNECTOR MARKING IS WITHOUT "P" EXAMPLE: HM1XXXXXXXXX6P, MARKED HM1XXXXXXXXX6

GENERAL CHARACTERISTICS AND ROHS INFORMATIONS:

SEE PRODUCT SPECIFICATION GS-12-445

European Views

www.fciconnect.com			surface	tolerance std	projection	mm		
			ISO 1302	ISO 406 ISO 1101		mm		
			TOLERANCES UNLESS OTHERWISE SPECIFIED					Scale 2.5
Dr	ETIEMBRE	1996/06/28	ANGULAR	0.X	±0.1	size	A3	
Eng	LENOIR	1997/01/23	LINEAR	0.XX	±0.1			
Chr	LEGARE	1997/01/23	0.XX ±2	0.XXX	±0.1	ECN		
Appr	LEGARE	1997/01/23	Product family			METRAL	Spec ref -	
FCI		title METRAL RA HEADER 5 ROW			dwg no		C-8626-0235	
		catalog no					Rev. H	
		CUSTOMER			sheet 1 of 1			

Hole according to product spec:
GS-12-445 (for press-fit) .
GS-12-446 (for STB)

REV F - 2006-04-17



Copyright FCI.