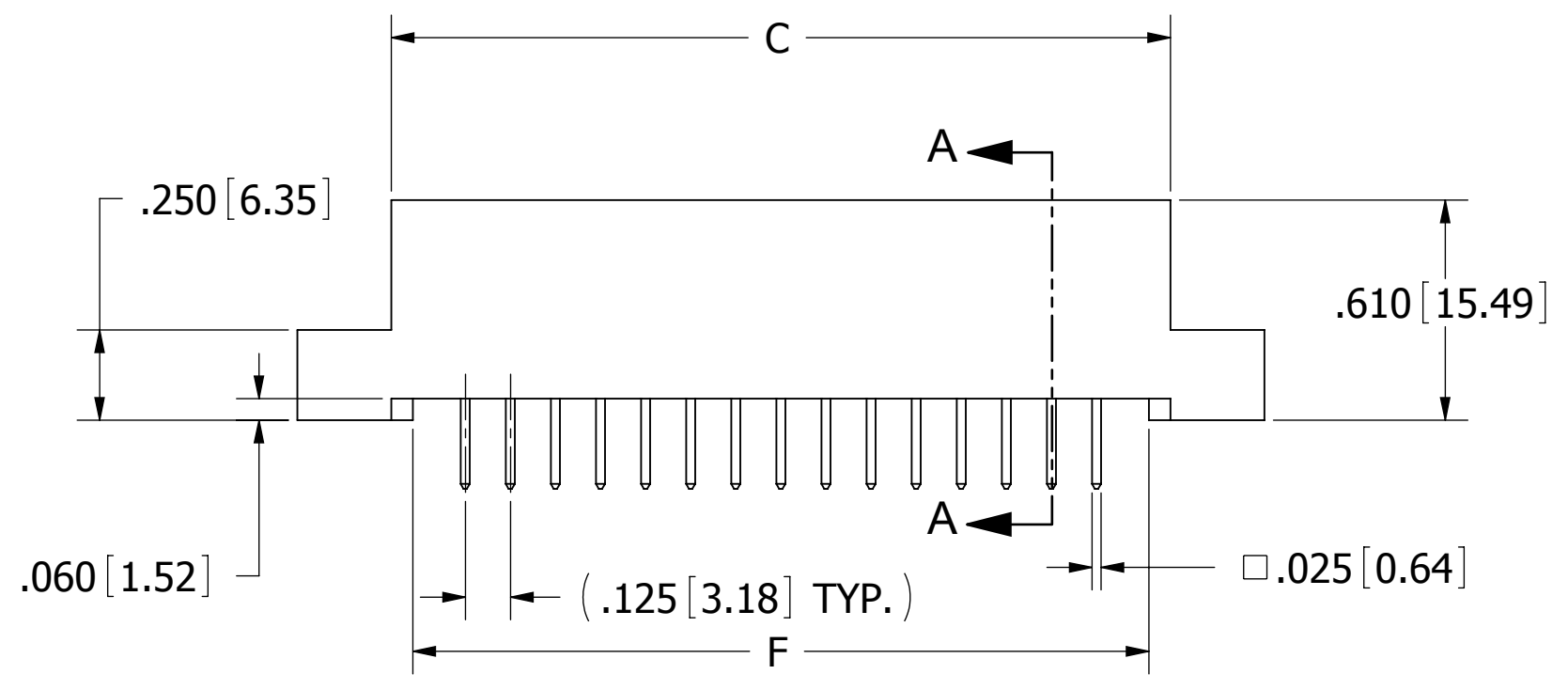
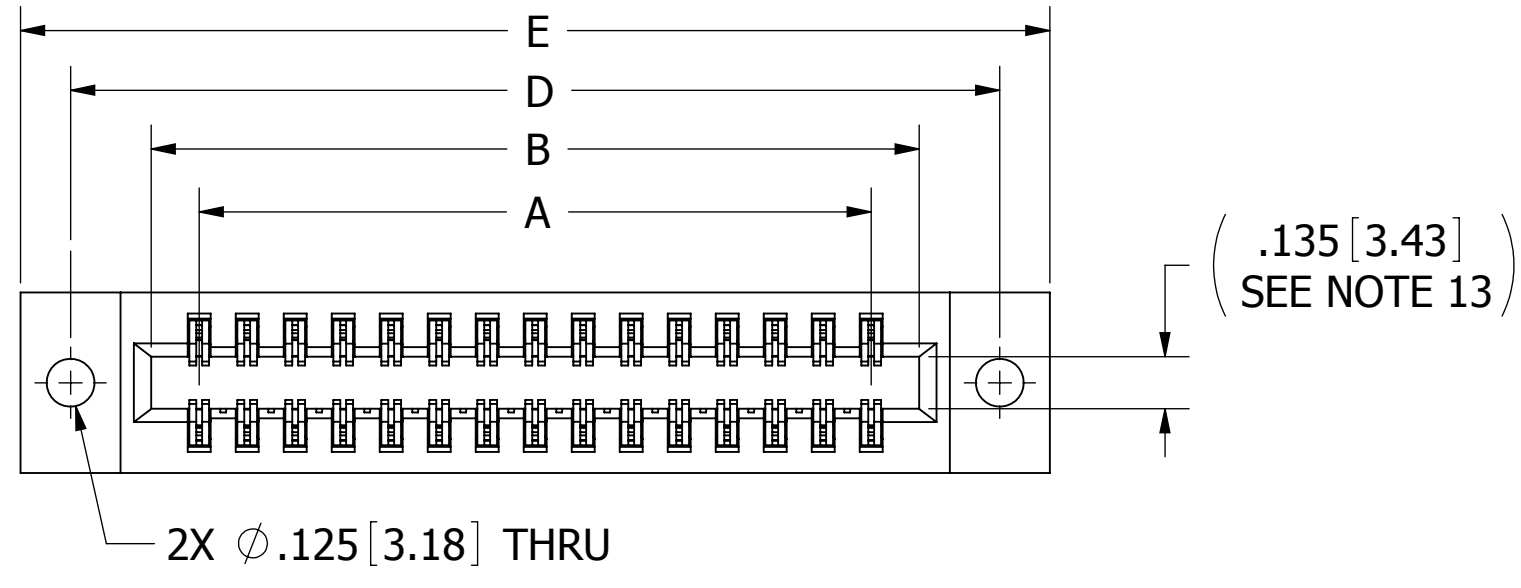
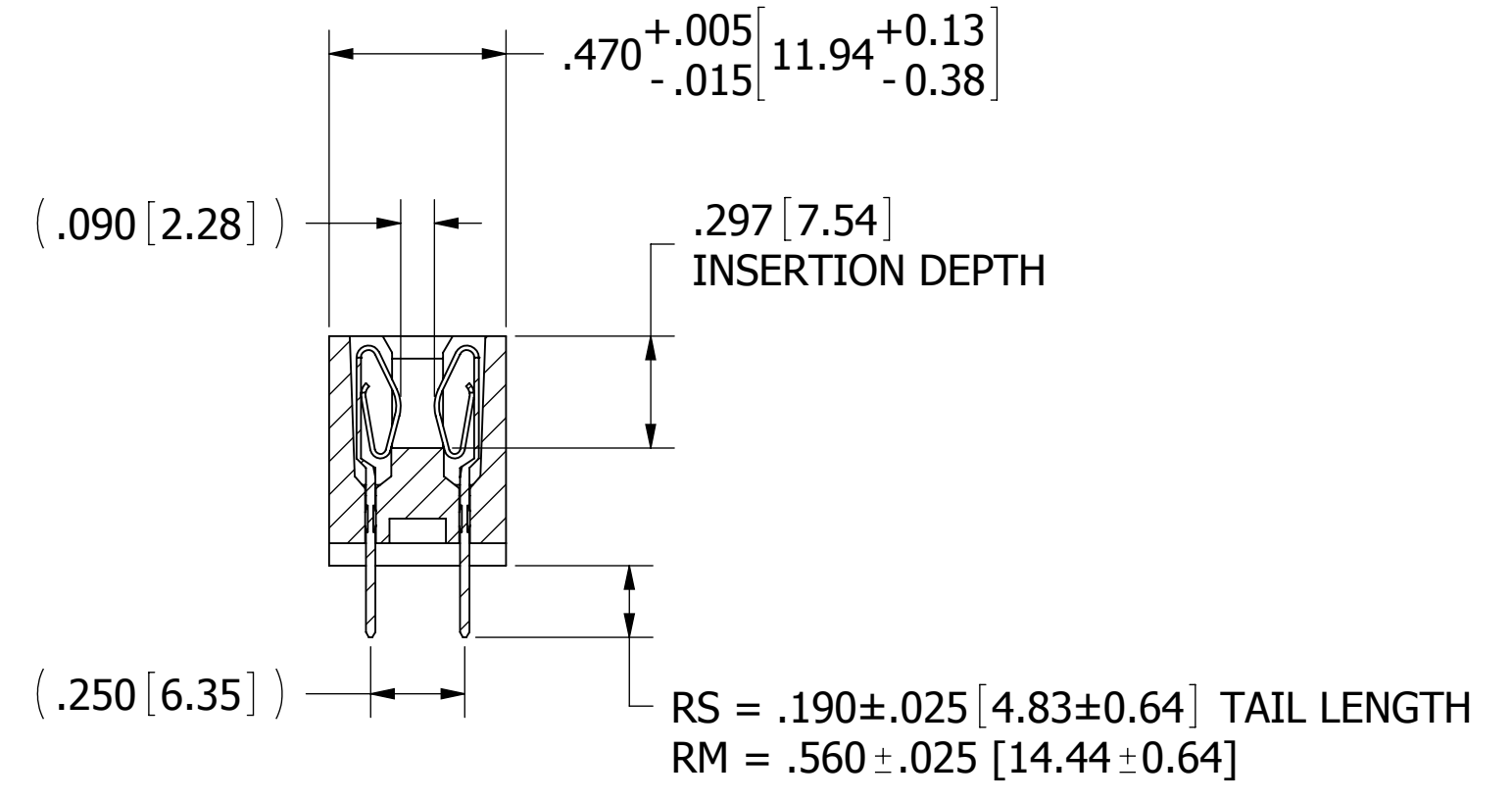


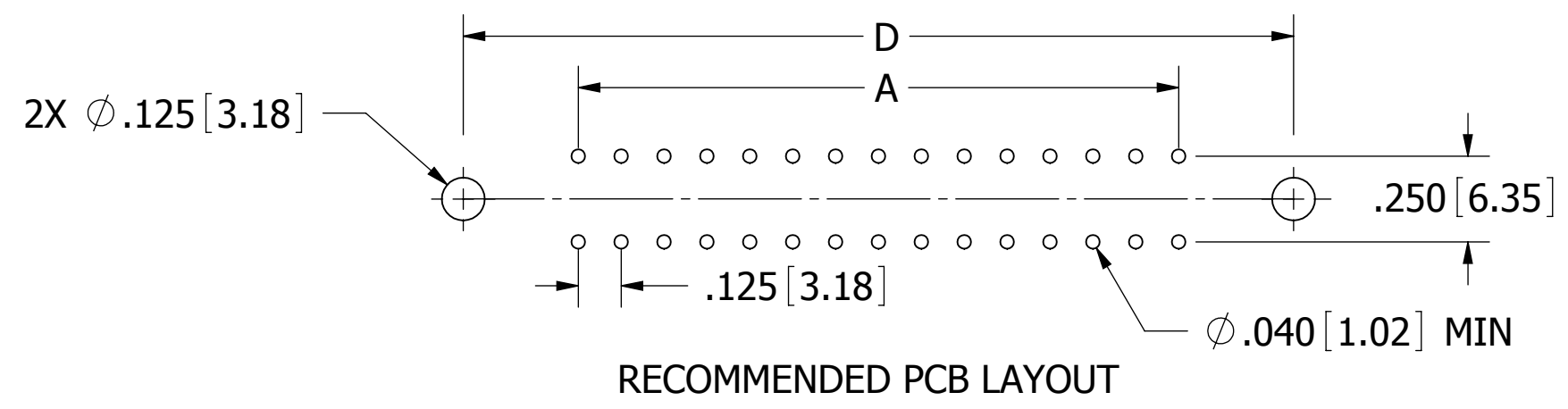
REVISIONS				
REV.	ECO. NO	DESCRIPTION	DATE	BY
A	2496	INITIAL RELEASE	11/23/2011	JH
B	2699	UPDATED CONTACT GAP, DIM. 'F' & DRAWING FORMAT	11/5/2012	KV



--- A --- DRSD - S664
 --- A --- DRMD - S664



SECTION A-A

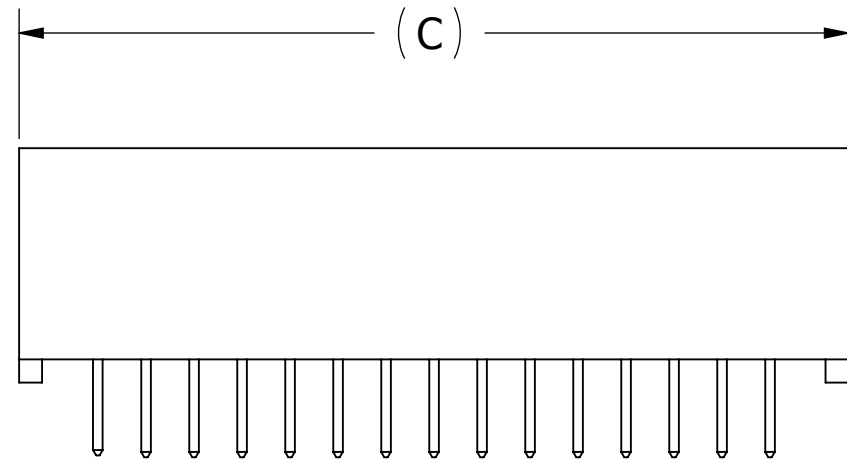
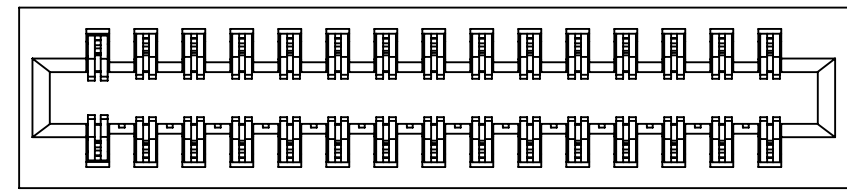


- NOTES:
- INSULATOR MATERIAL: SEE PART NUMBER CODING
 - CONTACT MATERIAL: SEE PART NUMBER CODING
 - PLATING: SEE PART NUMBER CODING
 - OPERATING TEMPERATURE: SEE PART NUMBER CODING
 - PROCESSING TEMP: SEE PART NUMBER CODING
 - UL FLAMMABILITY RATING: 94V-0
 - OPERATING VOLTAGE: 750 VAC MINIMUM AT SEA LEVEL
 - CURRENT RATING: 3 AMP
 - CONTACT RESISTANCE: 30 MILLI OHMS MAX
 - INSULATION RESISTANCE: 5000 MEGA OHMS
 - DURABILITY: 500 CYCLES MIN
 - CONNECTOR IDENTIFICATION: THE PART SHALL BE MARKED WITH A PART NUMBER AND LOT CODE
 - BOARD THICKNESS ACCOMMODATED: $.125 \pm .008 [3.18 \pm 0.20]$
 - INSERTION FORCE: 16 OZ MAX PER CONTACT PAIR WHEN USING A $.125 [3.18]$ TEST BLADE
INTERNAL INSPECTION TO BE PER SULLIN'S WORK INSTRUCTION WI7.3-01
 - WITHDRAWAL FORCE: 1 OZ MIN PER CONTACT PAIR USING $.125 [3.18]$ PCB
 - MODIFICATION: HIGH PROFILE CONNECTOR FOR $.125 [3.18]$ PCB

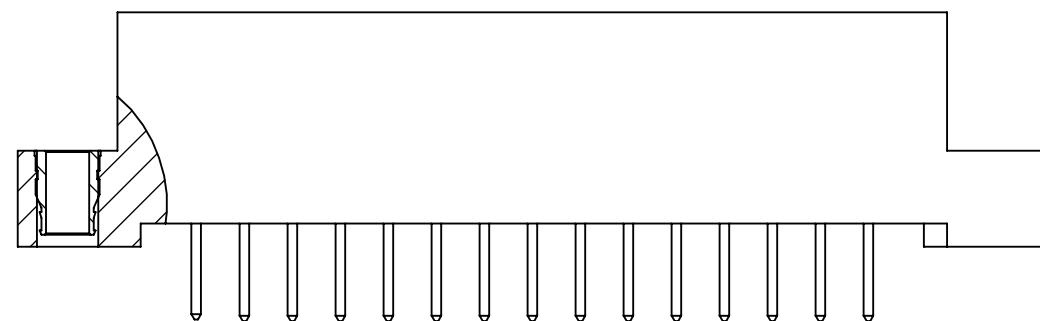
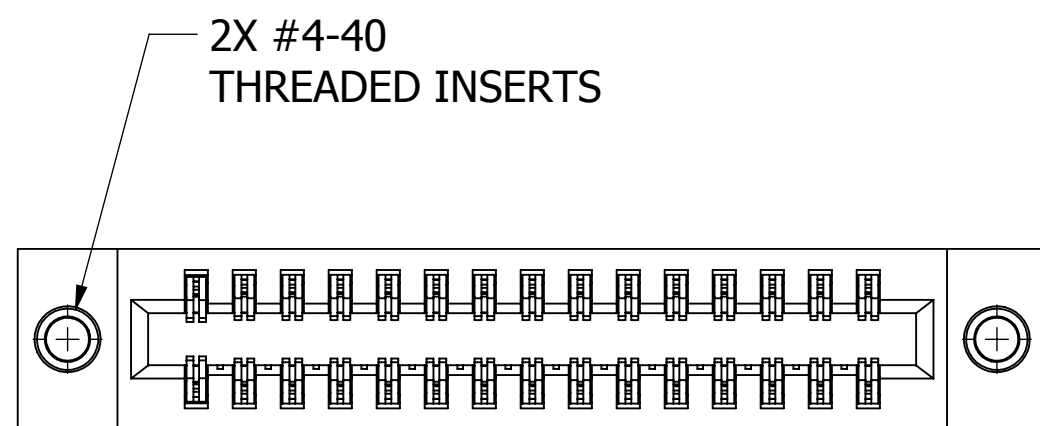


UNLESS OTHERWISE SPECIFIED: DIMENSIONS ARE IN INCHES [MM]	DRAWN	DATE	NAME	
		11/22/2011	JH	
TOLERANCES: ANGULAR: $\pm 1^\circ$ DECIMALS .XX = $\pm .02 [5]$.XXX = $\pm .005 [13]$.XXXX = $\pm .0005 [13]$	THE INFORMATION HEREIN CONTAINS PROPRIETARY INFORMATION OF SULLINS ELECTRONICS AND IS NOT TO BE REPRODUCED, USED OR DISCLOSED TO OTHERS FOR ANY PURPOSE EXCEPT AS SPECIFICALLY AUTHORIZED IN WRITING BY AN OFFICER OF SULLINS ELECTRONICS.			TITLE
				EDGE CARD, .125 CC, .125" PCB
				PART NUMBER
				__ A __ DRS (DRM) - S664
SIZE	CAGE CODE	DWG. NO.	REV	
C	54453	C11920	B	
SCALE: 2:1		SHEET 1 OF 3		

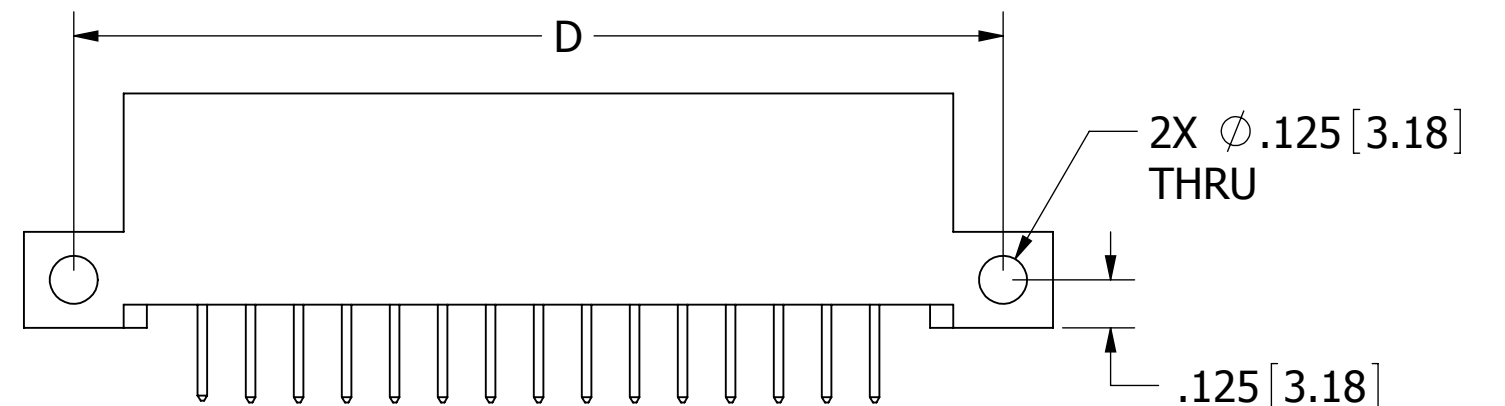
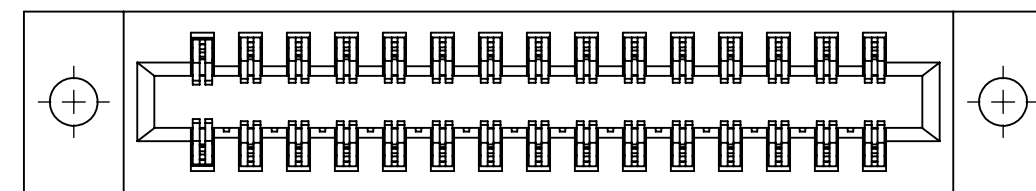
CUSTOMER COPY



--- A --- **DRSN - S664**
 --- A --- **DRMN - S664**



--- A --- **DRST - S664**
 --- A --- **DRMT - S664**



--- A --- **DRSZ - S664**
 --- A --- **DRMZ - S664**

CUSTOMER COPY



UNLESS OTHERWISE SPECIFIED:
 DIMENSIONS ARE IN INCHES [MM]

TOLERANCES:
 ANGULAR: ± 1°

DECIMALS
 .XX=± .02 [.5]
 .XXX=± .005 [.13]
 .XXXX=± .0005 [.013]

DRAWN	DATE	NAME
	11/22/2011	JH

THE INFORMATION HEREIN CONTAINS PROPRIETARY INFORMATION OF SULLINS ELECTRONICS AND IS NOT TO BE REPRODUCED, USED OR DISCLOSED TO OTHERS FOR ANY PURPOSE EXCEPT AS SPECIFICALLY AUTHORIZED IN WRITING BY AN OFFICER OF SULLINS ELECTRONICS.



TITLE **EDGECARD, .125 CC, .125" PCB**

PART NUMBER **___ A ___ DRS (DRM) _ - S664**

SIZE	CAGE CODE	DWG. NO.	REV
C	54453	C11920	B

SCALE: 2:1 SHEET 2 OF 3

PART NUMBER	NO. OF POSITIONS	A ±.008[0.20]		B ±.008[0.20]		C ±.015[0.38]		D ±.010[0.25]		E ±.020[0.51]		F ±.015[0.38]	
		IN	MM	IN	MM	IN	MM	IN	MM	IN	MM	IN	MM
A06D -S664	6	0.625	15.88	0.875	22.23	1.035	26.29	1.295	32.89	1.555	39.50	0.915	23.24
A08D -S664	8	0.875	22.23	1.125	28.58	1.285	32.64	1.545	39.24	1.805	45.85	1.165	29.59
A10D -S664	10	1.125	28.58	1.375	34.93	1.535	38.99	1.795	45.59	2.055	52.20	1.415	35.94
A14D -S664	14	1.625	41.28	1.875	47.63	2.035	51.69	2.295	58.29	2.555	64.90	1.915	48.64
A15D -S664	15	1.750	44.45	2.000	50.80	2.160	54.86	2.420	61.47	2.680	68.07	2.040	51.82
A18D -S664	18	2.125	53.98	2.375	60.33	2.535	64.39	2.795	70.99	3.055	77.60	2.415	61.34
A22D -S664	22	2.625	66.68	2.875	73.03	3.035	77.09	3.295	83.69	3.555	90.30	2.915	74.04
A24D -S664	24	2.875	73.03	3.125	79.38	3.285	83.44	3.545	90.04	3.805	96.65	3.165	80.39
A25D -S664	25	3.000	76.20	3.250	82.55	3.410	86.61	3.670	93.22	3.930	99.82	3.290	83.57
A28D -S664	28	3.375	85.73	3.625	92.08	3.785	96.14	4.045	102.74	4.305	109.35	3.665	93.09
A30D -S664	30	3.625	92.08	3.875	98.43	4.035	102.49	4.295	109.09	4.555	115.70	3.915	99.44
A31D -S664	31	3.750	95.25	4.000	101.60	4.160	105.66	4.420	112.27	4.680	118.87	4.040	102.62
A32D -S664	32	3.875	98.43	4.125	104.78	4.285	108.84	4.545	115.44	4.805	122.05	4.165	105.79
A35D -S664	35	4.250	107.95	4.500	114.30	4.660	118.36	4.920	124.97	5.180	131.57	4.540	115.32
A36D -S664	36	4.375	111.13	4.625	117.48	4.785	121.54	5.045	128.14	5.305	134.75	4.665	118.49
A40D -S664	40	4.875	123.83	5.125	130.18	5.285	134.24	5.545	140.84	5.805	147.45	5.165	131.19
A43D -S664	43	5.250	133.35	5.500	139.70	5.660	143.76	5.920	150.37	6.180	156.97	5.540	140.72
A44D -S664	44	5.375	136.53	5.625	142.88	5.785	146.94	6.045	153.54	6.305	160.15	5.665	143.89
A49D -S664	49	6.000	152.40	6.250	158.75	6.410	162.81	6.670	169.42	6.930	176.02	6.290	159.77
A50D -S664	50	6.125	155.58	6.375	161.93	6.535	165.99	6.795	172.59	7.055	179.20	6.415	162.94

PART NUMBER CODING

A D -S664

MATERIALS (INSULATOR / CONTACT)

E = PBT/PHOSPHOR BRONZE

OPERATING TEMP: -65°C TO +125°C
PROCESSING TEMP: WAVE ONLY

R = PPS/PHOSPHOR BRONZE

OPERATING TEMP: -65°C TO +125°C
PROCESSING TEMP: 260°C FOR 120 SECS MAX

G = PA9T/PHOSPHOR BRONZE

OPERATING TEMP: -65°C TO +125°C
PROCESSING TEMP: 260°C FOR 20 SECS MAX

H = PBT/BERYLLIUM COPPER

OPERATING TEMP: -65°C TO +125°C
PROCESSING TEMP: WAVE ONLY

A = PPS/BERYLLIUM COPPER

OPERATING TEMP: -65°C TO +150°C
PROCESSING TEMP: 260°C FOR 120 SECS MAX

J = PA9T/BERYLLIUM COPPER

OPERATING TEMP: -65°C TO +150°C
PROCESSING TEMP: 260°C FOR 20 SECS MAX

(CONSULT FACTORY FOR OTHER MATERIALS)

MOUNTING STYLE

- D = FLUSH MOUNTING (PAGE 1)
- N = NO MOUNTING EARS (PAGE 2)
- T = FLUSH MOUNTING WITH # 4-40 THREADED INSERT (PAGE 2)
- Z = FLUSH MOUNTING WITH SIDE HOLES (PAGE 2)

TERMINATION TYPE

- RS = .190" TAIL LENGTH
- RM = .560" TAIL LENGTH
- (SEE SECTION A-A ON SHEET 1)

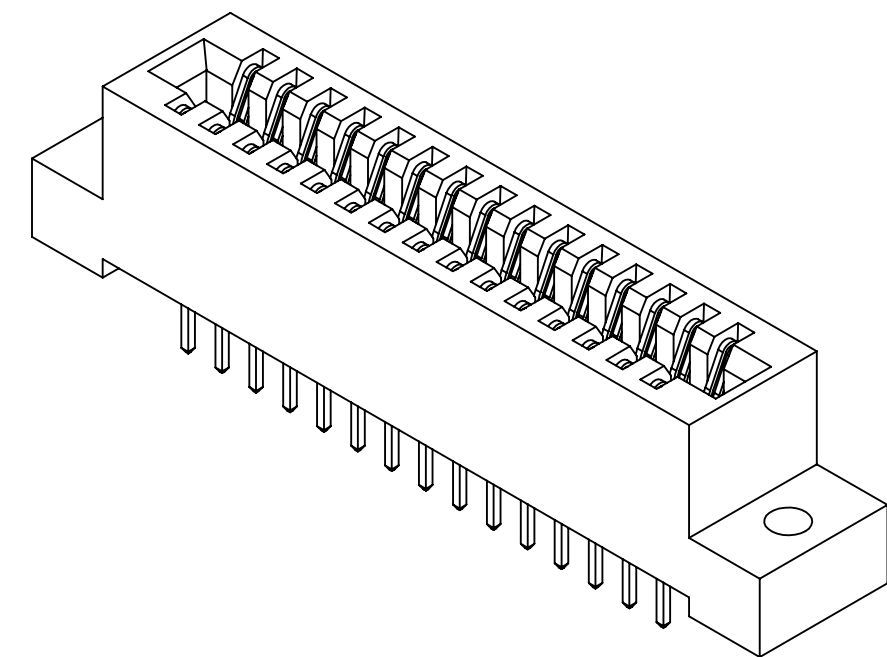
NUMBER OF POSITIONS (CONTACTS PER ROW)

PLATING

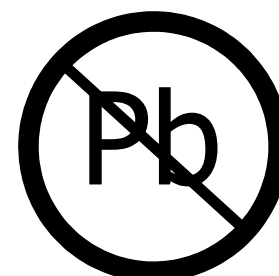
ALL PLATINGS ARE LEAD FREE AND HAVE .000050" NICKEL UNDERPLATE

CONTACT SURFACE	TERMINATION
B = .000010" GOLD	.000100" PURE TIN, MATTE
C = .000030" GOLD	.000100" PURE TIN, MATTE
G = .000010" GOLD	.000005" GOLD
Y = .000030" GOLD	.000005" GOLD
S = .000010" GOLD OVERALL	
M = .000030" GOLD	.000010" GOLD OVERALL
*E = .000100" PURE TIN, MATTE, OVERALL	

* OVERALL TIN ONLY AVAILABLE ON MATERIAL CODES E, R AND G



CUSTOMER COPY



RoHS COMPLIANT

UNLESS OTHERWISE SPECIFIED: DIMENSIONS ARE IN INCHES [MM]		DRAWN	DATE	NAME		
			11/22/2011	JH		
TOLERANCES:					<small>THE INFORMATION HEREIN CONTAINS PROPRIETARY INFORMATION OF SULLINS ELECTRONICS AND IS NOT TO BE REPRODUCED, USED OR DISCLOSED TO OTHERS FOR ANY PURPOSE EXCEPT AS SPECIFICALLY AUTHORIZED IN WRITING BY AN OFFICER OF SULLINS ELECTRONICS.</small>	
ANGULAR: ± 1°						
DECIMALS .XX = ± .02 [.5] .XXX = ± .005 [.13] .XXXX = ± .0005 [.013]						
TITLE					EDGE CARD, .125 CC, .125" PCB	
PART NUMBER					A DRS (DRM) - S664	
SIZE	CAGE CODE	DWG. NO.		REV		
C	54453	C11920		B		
SCALE: 2:1					SHEET 3 OF 3	