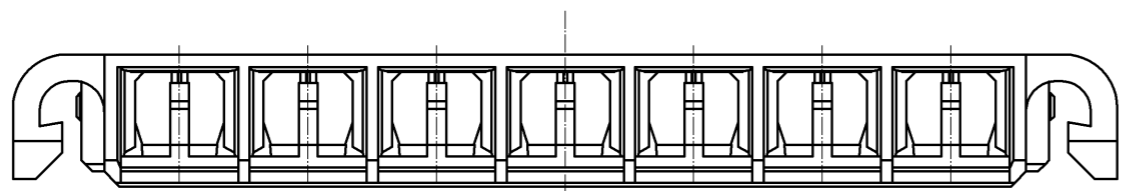
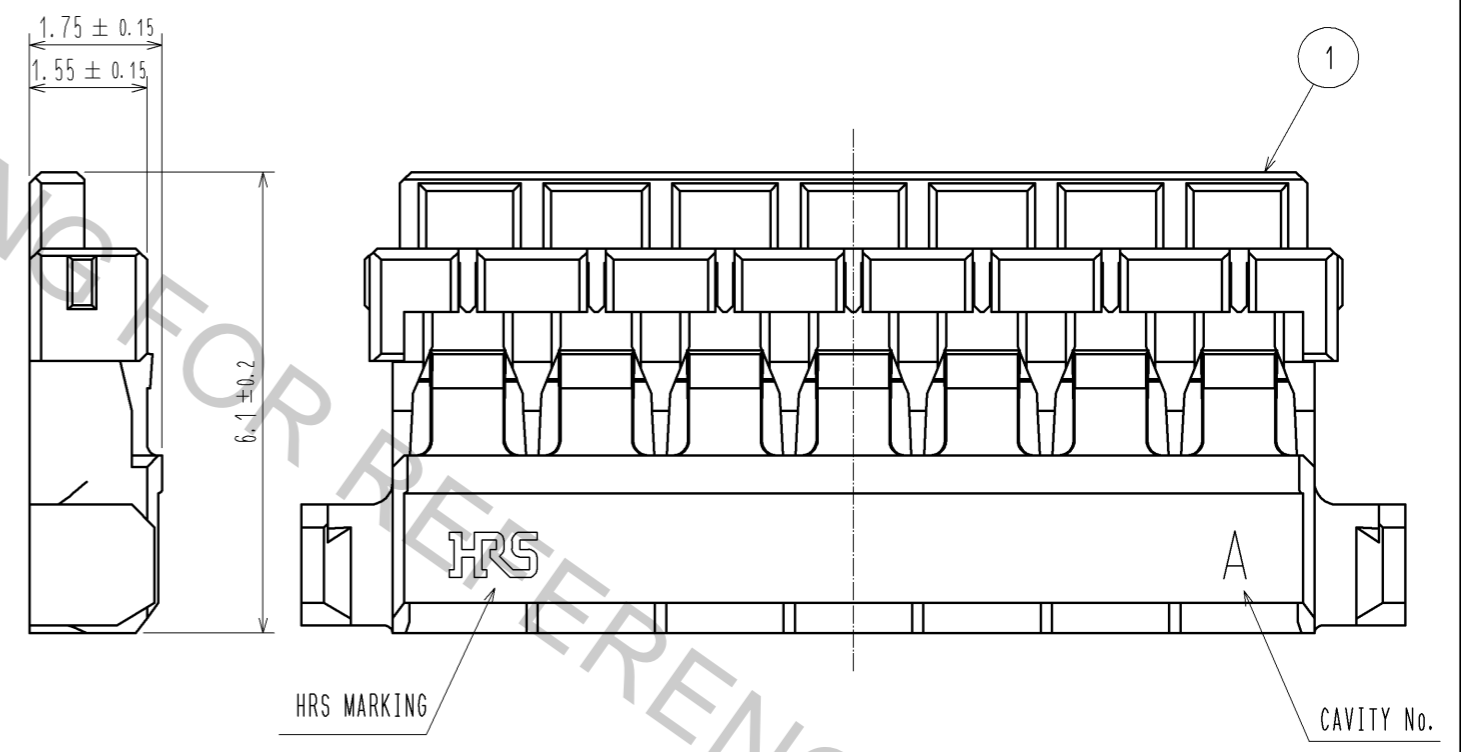
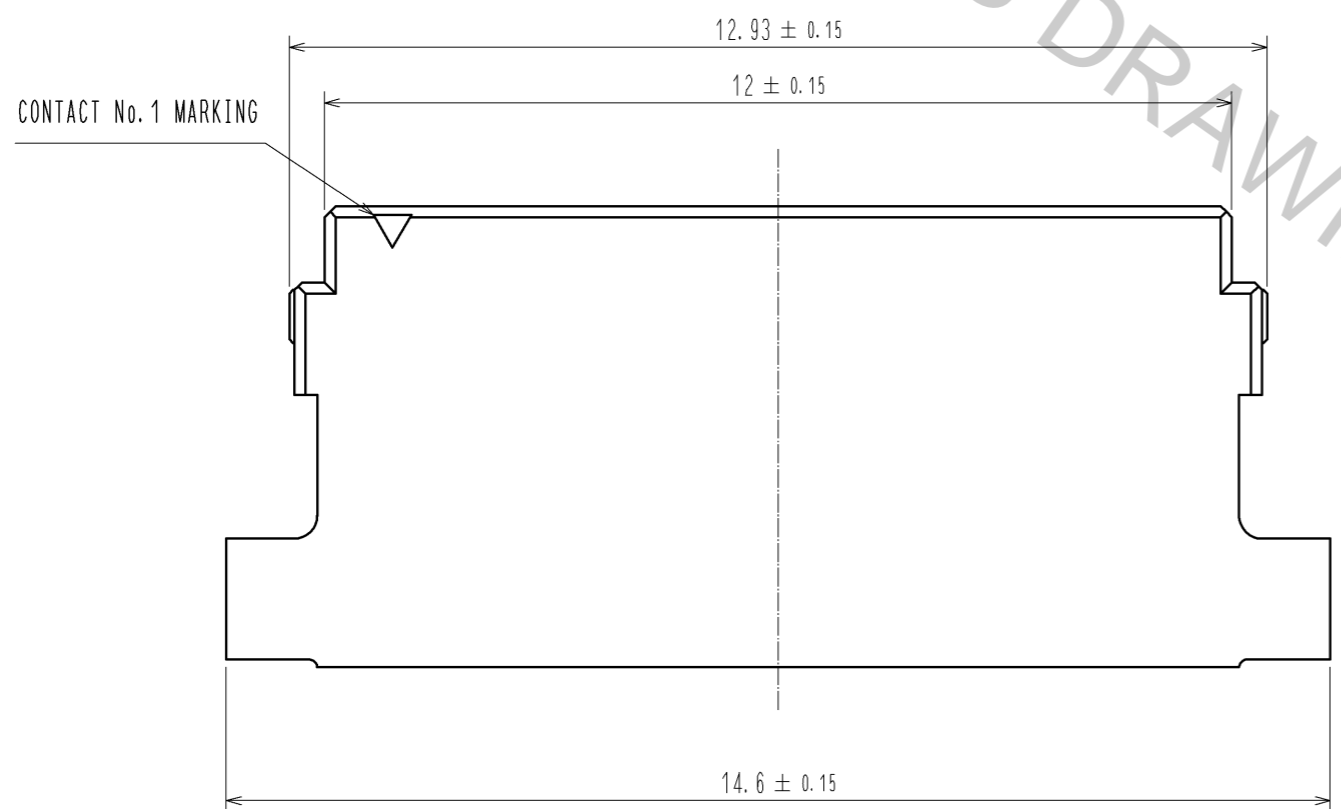
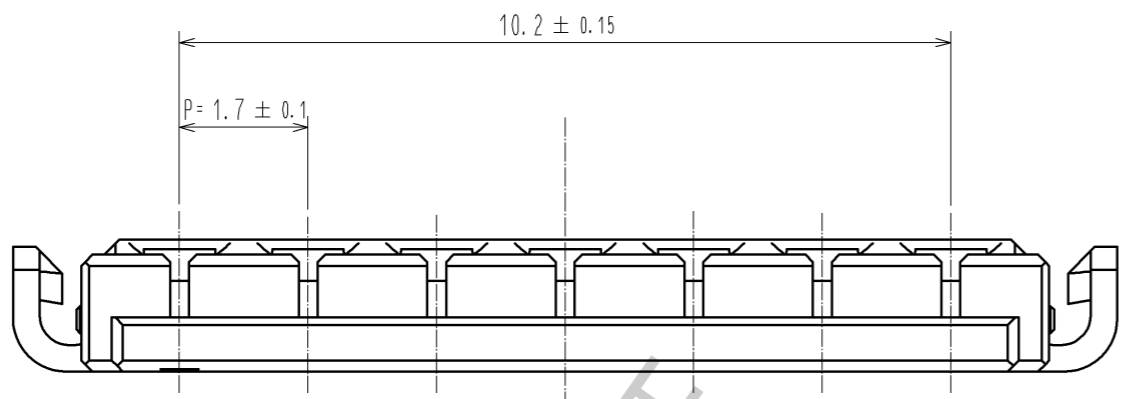


Apr.1.2017 Copyright 2017 HIROSE ELECTRIC CO., LTD. All Rights Reserved.



NO.	MATERIAL	FINISH . REMARKS	NO.	MATERIAL	FINISH . REMARKS
1	LCP			UL94V-0. NATURAL	
UNITS mm		SCALE 10 : 1	COUNT	DESCRIPTION OF REVISIONS	
		APPROVED : KI. AKIYAMA	14. 07. 30	DESIGNED	CHECKED
HIROSE ELECTRIC CO., LTD.		CHECED : HK. UMEHARA	14. 07. 30	DRAWING NO. EDC3-354320-00	
		DESIGNED : TT. OHSAKO	14. 07. 30	PART NO. DF65-7S-1.7C	
		DRAWN : TT. OHSAKO	14. 07. 30	CODE NO. CL666-6015-1-00	
				DATE 1/1	