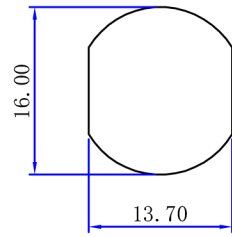


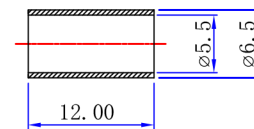
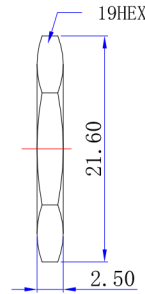
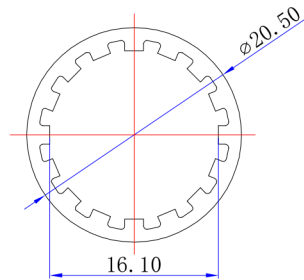
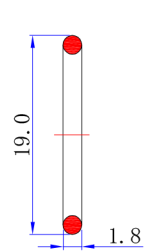
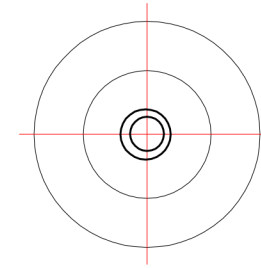
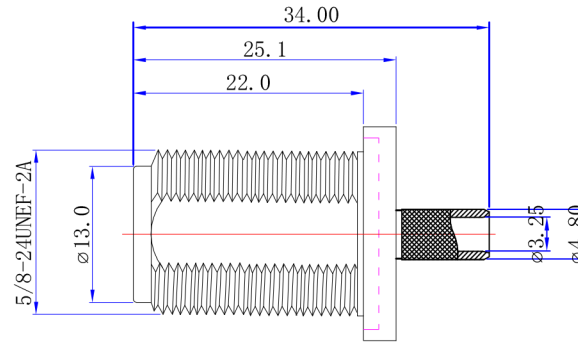
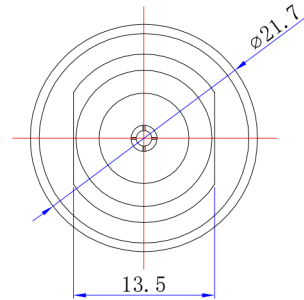


Product NO. BC-202-195

REV	DESCRIPTION	DWN	DATE	APPROVEN
R1.0	First issue	Gavin	2021/03/09	JIM.KING



Recommended hole size



Specifications

Impedance: 50 Ohms
 Frequency Range: 0-6G
 VSWR: 1.5MAX
 Working Voltage: 1000 VRMS (max at sea level)
 Dielectric Withstanding Voltage: 1500 vrms (max at sea level)
 Insulation Resistance: 5000 MOhms min
 Durability Mating: 500 Cycles min
 Temperature Range: -65°C TO +165°C

No	Connector color
BC-202-195-RD	Body electrophoresis: Red
BC-202-195-BL	Body electrophoresis: Blue
BC-202-195-BK	Body electrophoresis: Black

7	COPPER TUBE	BRASS	NICKEL	1
6	FERRULE	BRASS	NICKEL	1
5	WASHER	IRON	NICKEL	1
4	O-RING	RUBBER	RED	1
3	PIN	BRASS	GOLD	1
2	INSUKATON	PTFE	NONE	1
1	BODY	BRASS	Electrophoresis	1
NO	DESCRIPTION	MATERIAL	FINISH	QTY

-TOLERANCES-
UNLESS OTHERWISE
SPECIFIED

UNLESS OTHERWISE SPECIFIED
TOLERANCES FOR MILLIMETERS ARE:
0.5 - 8mm ± 0.20mm
8 - 30mm ± 0.25mm
30 - 120mm ± 0.30mm

BIG CAT CABLES

PART DESCRIPTION:
WATERPROOF N CRIMP JACK FOR LMR195 CABLE

P/N: BC-202-195

Appd: JIM.KING	Date	Scale	Unit	Type	Page
Check:	2021.03.09	Free	MM	Z	1/1
Draw: Gavin					