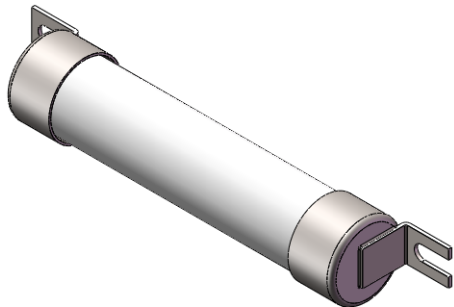
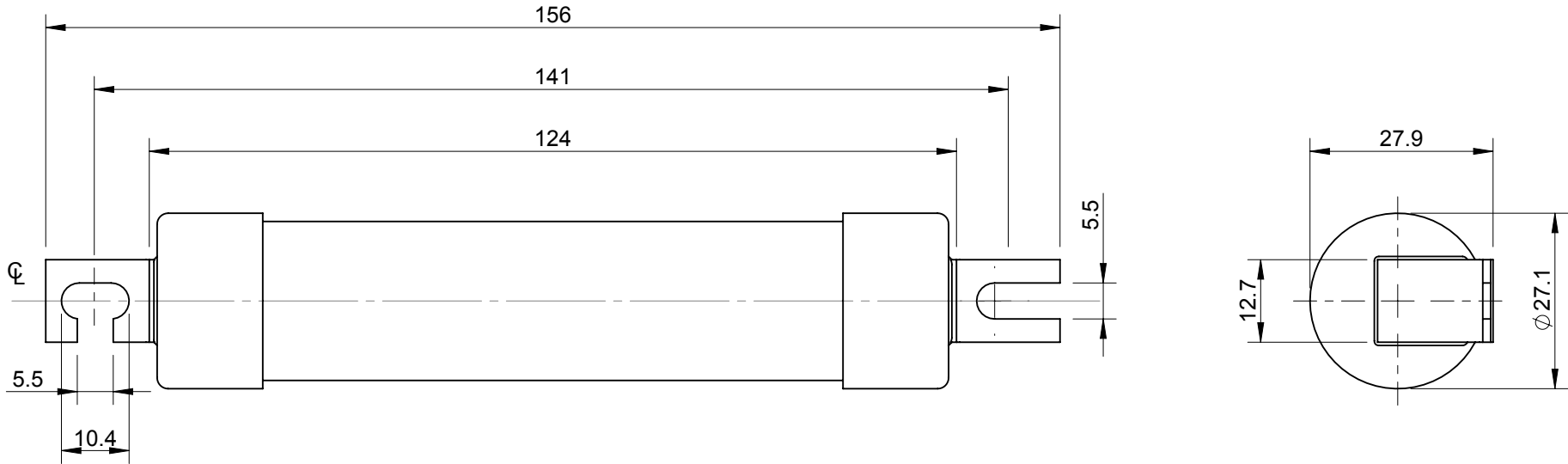



ITEM No. 5778861

REV	DESCRIPTION	BY	DATE	CHANGE NO.
C	NOMINAL DIMENSIONS UPDATED	JW	10/11/2015	BUEB19366



MODEL VERSION: 00	UNLESS OTHERWISE SPECIFIED, ALL DIMENSIONS ARE IN MILLIMETERS.		TITLE				 <i>Powering Business Worldwide</i>	
	TOLERANCES UNLESS OTHERWISE SPECIFIED: GENERAL $\pm 0.4\text{mm}$ ANGULAR $\pm 1^\circ$		OUTLINE FOR KTH FUSE LINKS (3-65A)					
	UNCONTROLLED COPY		DRAWN BY: RAG	DATE: 14/06/2013	SCALE: NTS	ANGLE: THIRD		SIZE: A4
MODEL SOURCE FILE: 5778861	THIS DRAWING IS CONFIDENTIAL AND THE COPYRIGHT OF EATON AND MUST NOT BE COPIED OR PASSED ON TO A THIRD PARTY WITHOUT WRITTEN CONSENT		MATERIAL:		FINISH:		EATON Burton-on-the-Wolds, Leics, LE12 5TH Tel +44 1509 882 600	
			VARIOUS		NONE			
			DWG NO:		5778861		REV: C	SHEET: 1 OF 1