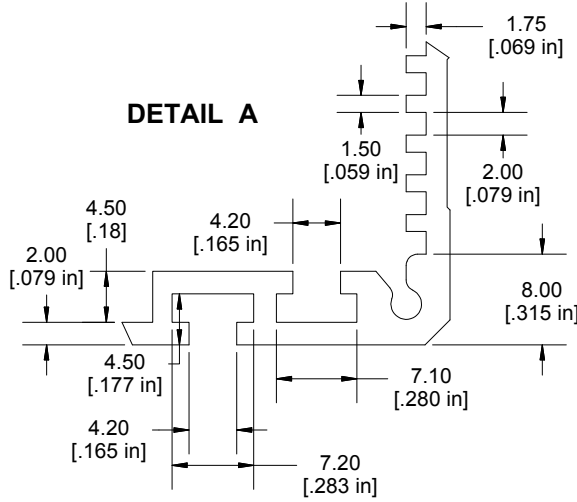
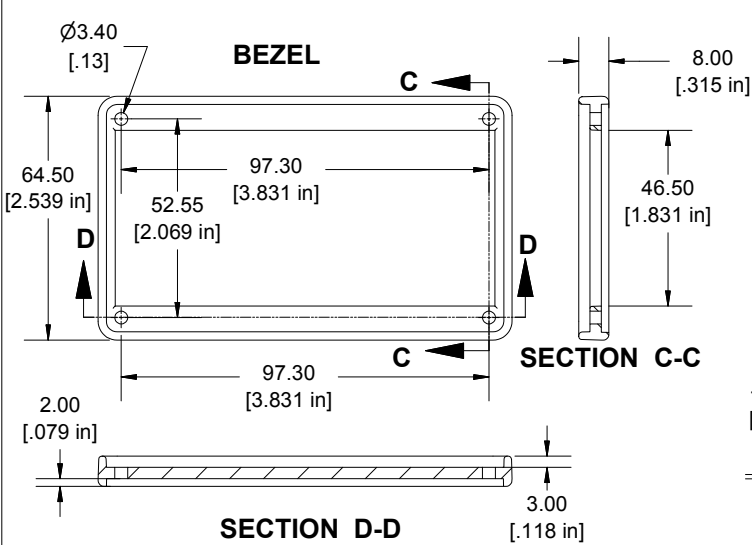
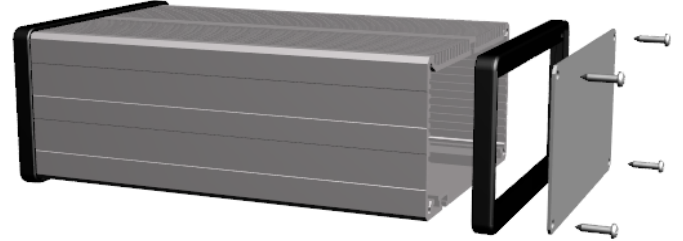
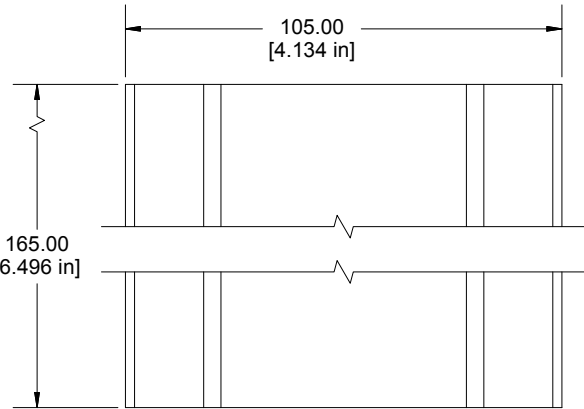
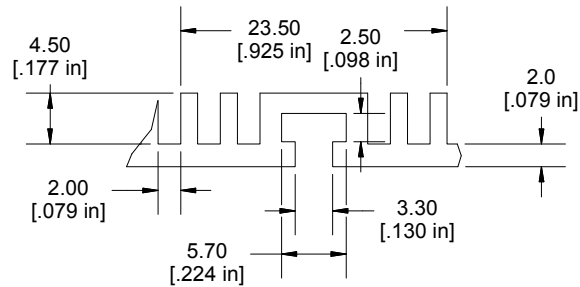


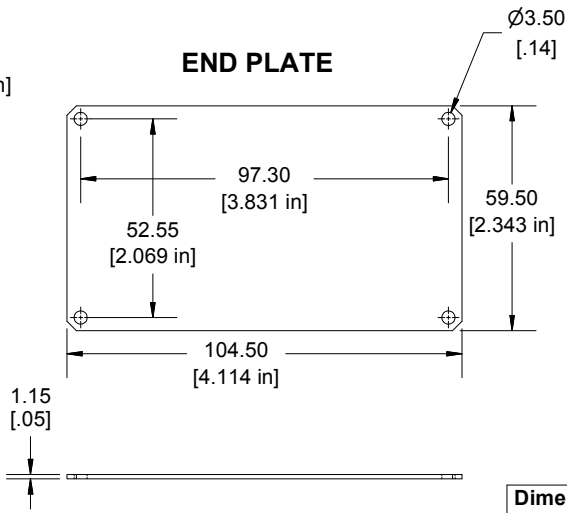
**DETAIL A**



**DETAIL B**



**END PLATE**



Enclosures can be Factory Modified ( Milling, Drilling, Printing etc.)  
 Contact Factory [mjm@hammondmfg.com](mailto:mjm@hammondmfg.com) for quotes  
 Solid models of this enclosure available in STEP or IGES.  
 (Part number and text placement/orientation on our products are subject to change,  
 we do not recommend using them as a locating reference for modification purposes)

NOTE	
Purchased assembly includes Extrusion, 2 End Plate, 2 Bezels and 8 screws	
<b>Recommended Cover screw torque -- 2.5-3.5 lbf-in (30-40 cN-m)</b>	

PART NUMBERS		
SINK BOX		
Extrusion Aluminum Alloy / Black Anodized		431621
Extrusion Aluminum Alloy / Clear Anodized		531621
ACCESSORIES		
End Plate Aluminum Alloy / Black Anodized		031624
End Plate Aluminum Alloy / Clear Anodized		131624

**HAMMOND MANUFACTURING**  
 SINK BOX  
 31621  
[www.hammondmfg.com](http://www.hammondmfg.com)

Dimensions:  
 mm  
 [inches]