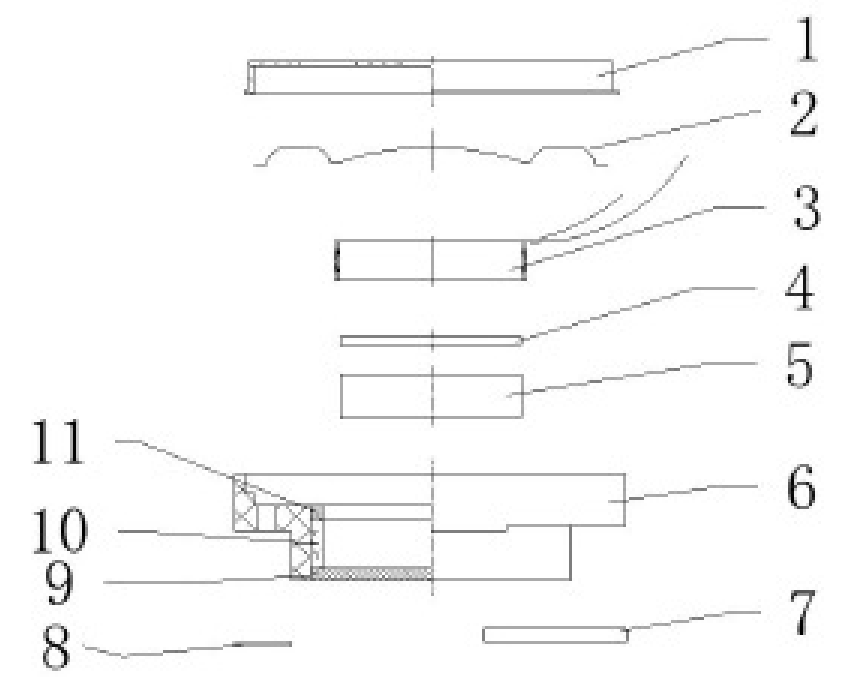
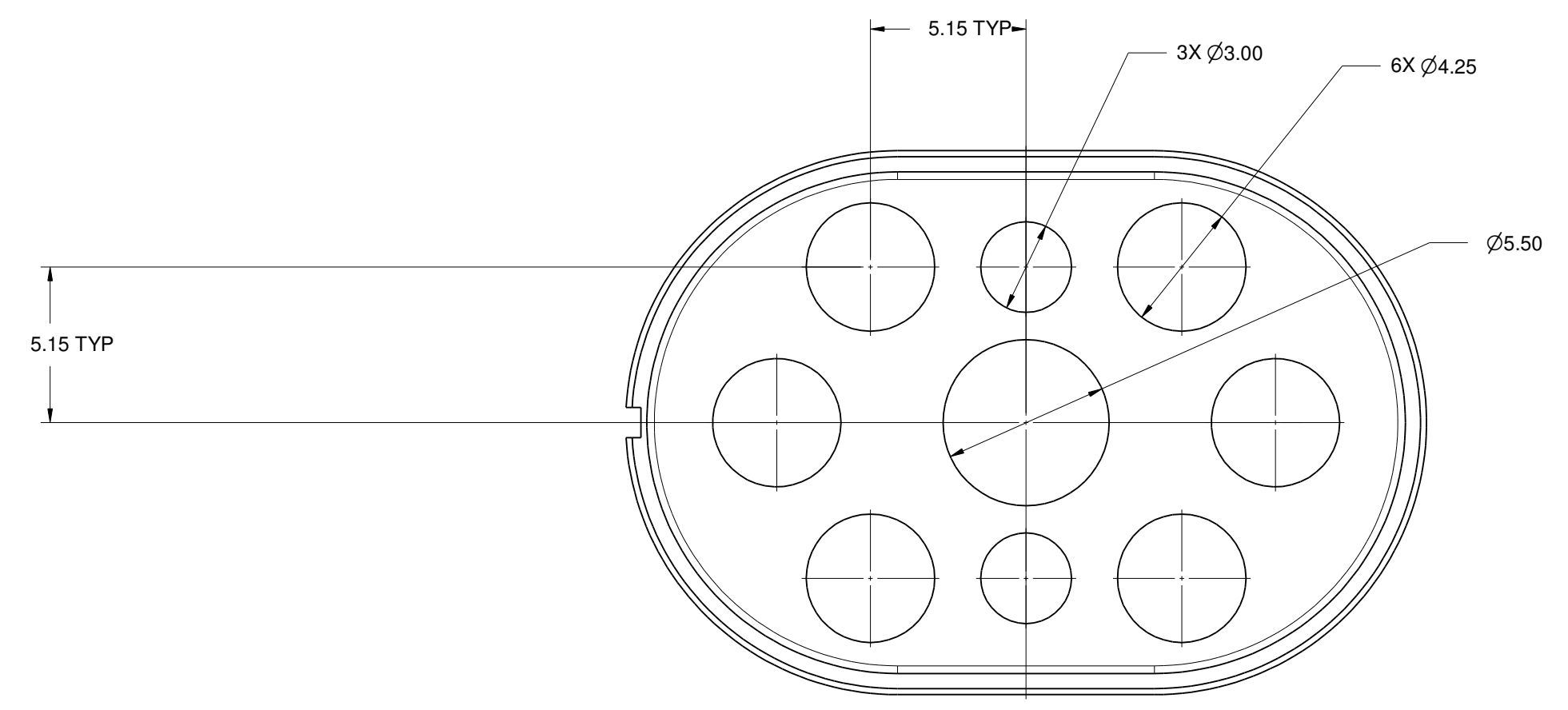
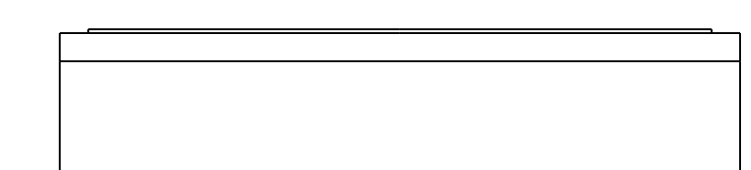
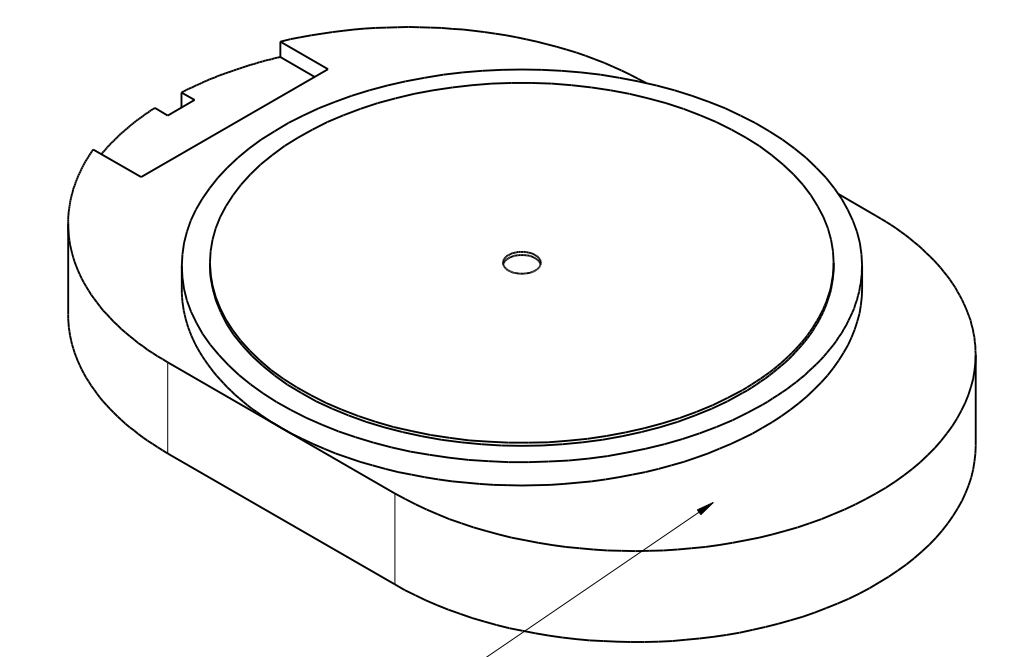
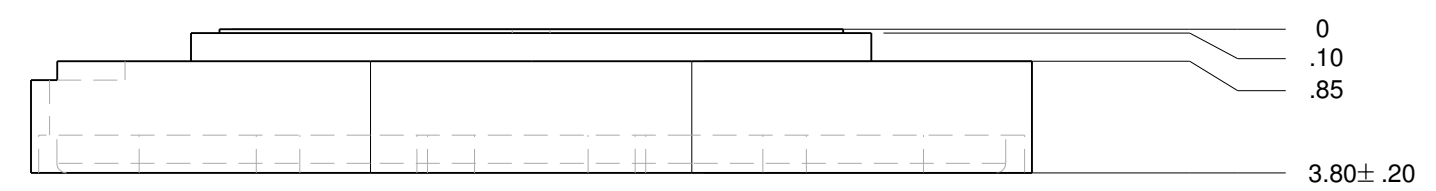
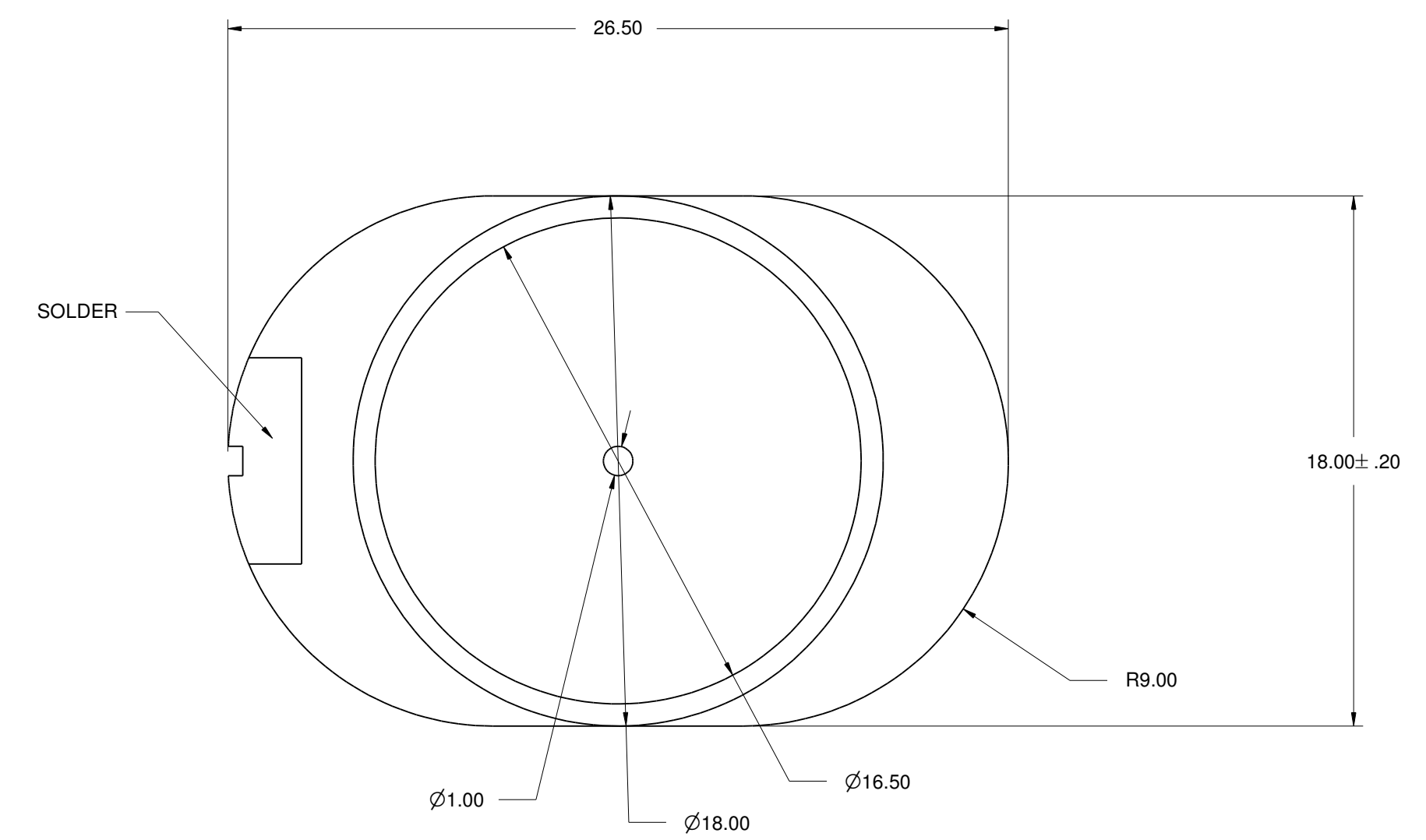


REVISIONS				
ZONE	REV	DESCRIPTION	DATE	APPROVED



No.	Part Name	Material	Quantity
1	Cap	SUS 201	1
2	Diaphragm	PEN	1
3	Voice Coil	Cu	1
4	Plate 1	SPCC	1
5	Main Magnet	Nd Fe B	1
6	Frame	PBT+SPCC+ Nd Fe B	1
7	PCB	FR-4	1
8	Silk Screen 1	Adhesive	1
9	Plate 2	SPCC	1
10	Minor Magnet 2	Nd Fe B	1
11	Plate 3	SPCC	1



ALL TOLERANCES +/- .5MM UNLESS NOTED



SIZE	FSCM NO.	DWG NO.	REV
D		SP-2618	
SCALE	1:1	SHEET	1 OF 1