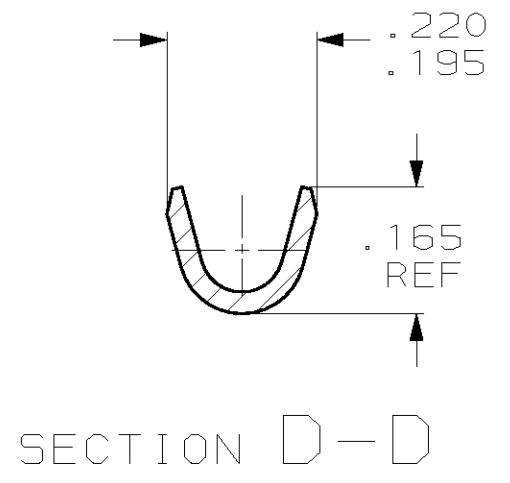
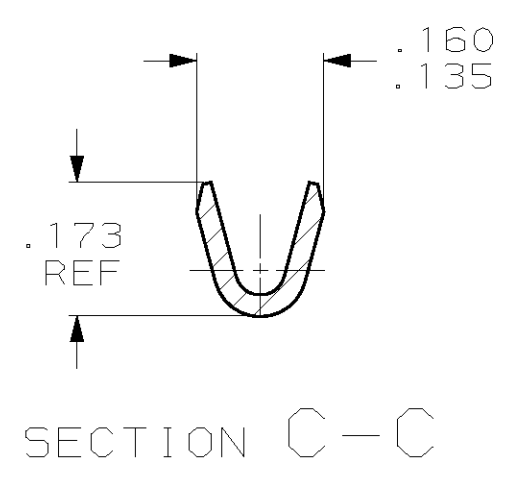
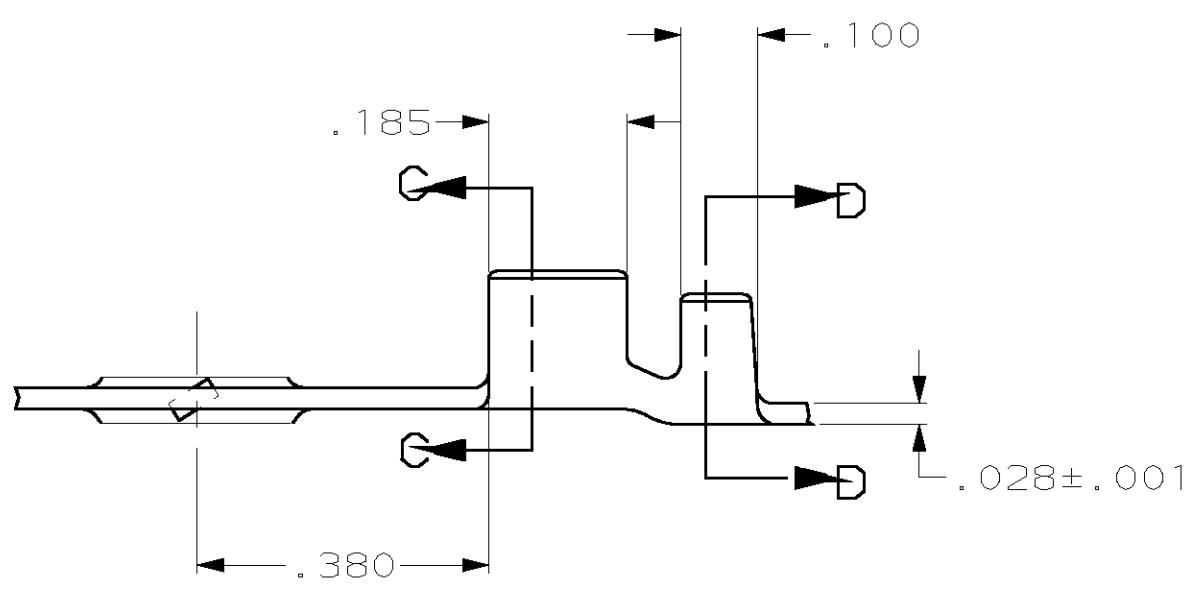
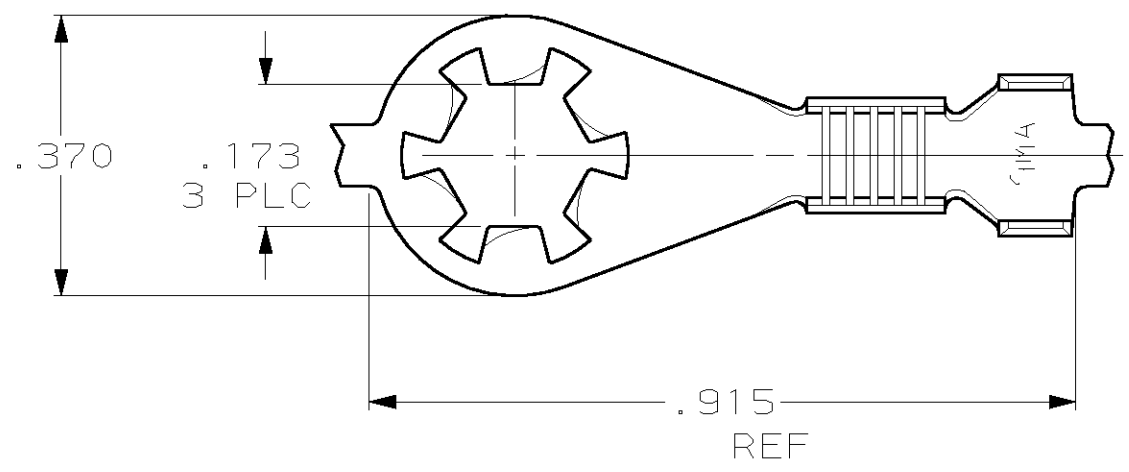


THIS DRAWING IS UNPUBLISHED. RELEASED FOR PUBLICATION ,19 .
 © COPYRIGHT 19 BY AMP INCORPORATED. ALL RIGHTS RESERVED.

LOC		DIST		REVISIONS			
P	LTR	DESCRIPTION	DATE	DWN	APVD		
AF	50	0	DRAWN	-	-	-	

- 1 CONTINUOUS STRIP ON REELS.
- 2 WIRE SIZE IS #18-#14 MAGNET WIRE
- 3 INSULATION RANGE IS .080-.120 DIA



485079-1
PART NO.

THIS DRAWING IS A CONTROLLED DOCUMENT.		DWN JR RUTH 23APR02	AMP Incorporated Harrisburg, PA 17105-3608													
DIMENSIONS: INCHES		CHK D DECKER 23APR02														
TOLERANCES UNLESS OTHERWISE SPECIFIED:		APVD D DECKER 23APR02	NAME RING, ANTI-ROTATIONAL, AMPLIVAR													
<table border="1"> <tr><td>0 PLC</td><td>±-</td></tr> <tr><td>1 PLC</td><td>±-</td></tr> <tr><td>2 PLC</td><td>±-</td></tr> <tr><td>3 PLC</td><td>±.010</td></tr> <tr><td>4 PLC</td><td>±-</td></tr> <tr><td>ANGLES</td><td>±-</td></tr> </table>		0 PLC	±-	1 PLC	±-	2 PLC	±-	3 PLC	±.010	4 PLC	±-	ANGLES	±-	PRODUCT SPEC	SIZE A3 00779	
0 PLC	±-															
1 PLC	±-															
2 PLC	±-															
3 PLC	±.010															
4 PLC	±-															
ANGLES	±-															
MATERIAL T4 LU BRONZE		APPLICATION SPEC	DRAWING NO C- 485079													
FINISH -		WEIGHT -	RESTRICTED TO -													
CUSTOMER DRAWING			SCALE 4:1	SHEET 1 OF 1												
			REV 0													