

D

C

B

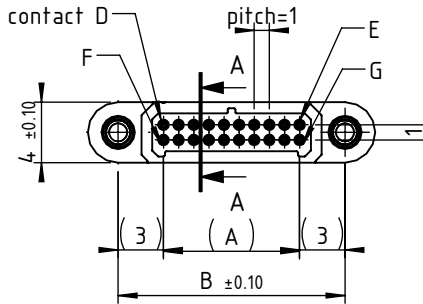
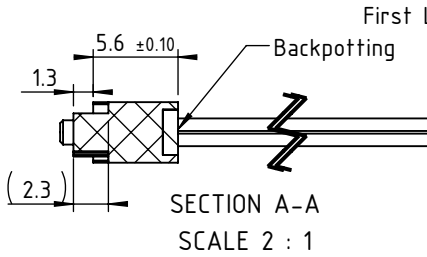
A



Example: HA222H6Q06RF0150

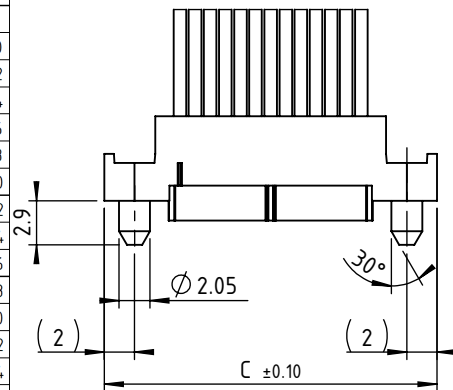
Example if size 28 : Cable AWG28 (MIL-W-16878/6):

- AWG28 Blue
- Conductor : Silver coated copper
- Insulation : 0.006 Extruded PTFE
- Temperature rating : -65°C - 200°C
- Voltage rating : 250V
- Type : ET
- Stranding : 19 x 40

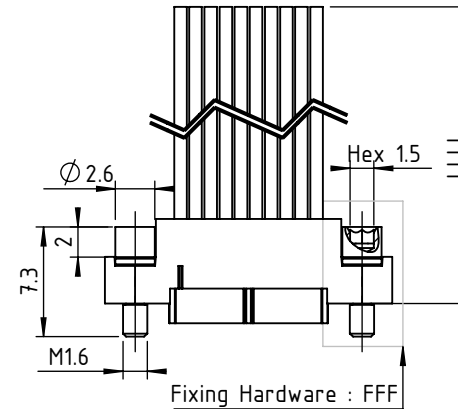


No. Of Contacts	Distance Between axes		Length in mm	LF Contact Reference			
	A	B		D	E	F	G
nn	A	B	C	D	E	F	G
4	1	7	11	1	2	3	4
◆ 6	2	8	12	1	3	4	6
8	3	9	13	1	4	5	8
◆ 10	4	10	14	1	5	6	10
12	5	11	15	1	6	7	12
14	6	12	16	1	7	8	14
16	7	13	17	1	8	9	16
18	8	14	18	1	9	10	18
◆ 20	9	15	19	1	10	11	20
22	10	16	20	1	11	12	22
24	11	17	21	1	12	13	24
26	12	18	22	1	13	14	26
28	13	19	23	1	14	15	28
30	14	20	24	1	15	16	30
32	15	21	25	1	16	17	32
◆ 34	16	22	26	1	17	18	34
36	17	23	27	1	18	19	36
38	18	24	28	1	19	20	38
40	19	25	29	1	20	21	40
42	20	26	30	1	21	22	42
44	21	27	31	1	22	23	44
46	22	28	32	1	23	24	46
48	23	29	33	1	24	25	48
◆ 50	24	30	34	1	25	26	50

XXX = R (Racking option)



XXX = V16 (Locking option)



Product Specifications

Material	
Insulator	Special LCP (Liquid Crystal Polymer thermoplastic) UL 94-V0
LF Contacts	Male : Copper alloy / Ni + Au 0.15 to 0.4max Female : Copper zinc alloy / Ni + Au 0.15 to 0.4max
Fixing Hardware	Passivated Stainless steel 300 series
Electrical Features	
Contact current capacity	UP to 4.8A@25°C (PCB to cable AWG26 20 pins) Up to 2.5@25°C (PCB to PCB 20 pins)
Working voltage	Withstanding voltage @ seal level : 600 V RMS Voltage proof @ sea level : 1000 V RMS
Contact resistance	Contact resistance (initial) < 10 mΩ max
Insulation resistance	Insulation resistance (after conditioning) > 2 Gohm
Mechanical Features	
Contact durability	1000 min operations
Contact force	Engagment (max) : 0.7 N Separation (min) : 0.06 N
Contact retention	Contact retention > 6 N
Max torque	Screw-Lok torque 16 cNm
Environmental Features	
Temperature cycling	-65°C to 200°C (without backpotting)
Humidity severity	25 °C -65 °C / 89 % - 94 % humidity / 6 days
Vibration severity (min)	Sinusoidal vibration / 15g / 10 Hz - 2000 Hz - 10 Hz in 20 min / 4h per axe in each 3 axes (total 12h) "No electrical interruption greater than one microsecond during vibration test"
Shock severity	Peak acceleration: 100g/Normal Duration 6ms, Wave form: sawtooth

Part numbering							
AMM Series 2 rows	Gender	Wire(W) + color (#)	Potting	LF contact (nn) nbr	Fixing (XXX)	Harness configuration	Harness length
◆ HA22	◆ 2 Female	D# AWG 30 H# AWG 28 I# AWG 26	◆ Q Potting	04 to 50 (◆ 06 - 10 - 20 - 34 - 50)	R Guide pin VXX No fixing ◆ V16 Jackscrew	◆ F Fly lead	LLLL (◆ 0150 - 0300 - 0450)

NOTE:

- ◆ Configurations are available in standard
- "Feel free to ask for technical support"

COLOR #										
0	1	2	3	4	5	6	7	8	9	R
Black	Brown	Red	Orange	Yellow	Green	◆ Blue	Violet	Grey	White	Rainbow repeated
Harness length										
Length (mm)	0050<LLLL<0299		0300<LLLL<1499		1500<LLLL<2999		3000<LLLL<7499		>7500	
Tolerance (mm)	±5		±10		±50		±75		±2.5%	



www.nicomatic.com

a	14/03/19	V.G.		A.d.L
Ind	Date	Drawn	Checked	Approved
Item : Harness connector AMM female on cables, nn LF contacts, lg: LLLLmm, fixing hardware, backpotting				

This document and drawings, sketches, and schematic drawings are the property of the NICOMATIC company, and no parts thereof may be reproduced and used without the written consent of the owner. Law dated 11.03.1902

Catalogue Reference : HA222W#QnnXXXFLLLL

Compliant matrix :
Customer reference :

General tolerance	±0.2	Scale	4:1	Page	1/1
-------------------	------	-------	-----	------	-----

D

A4