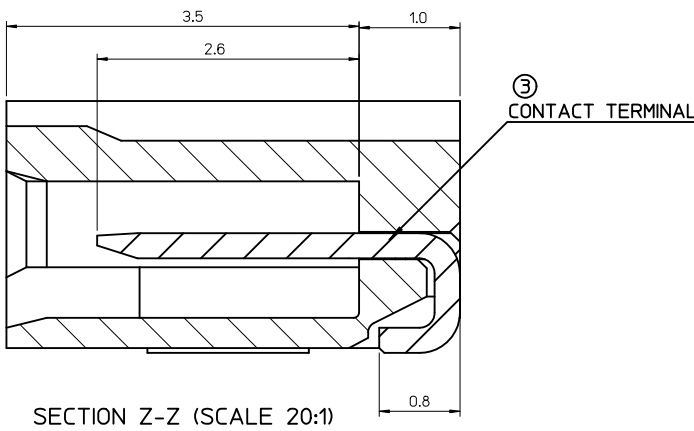
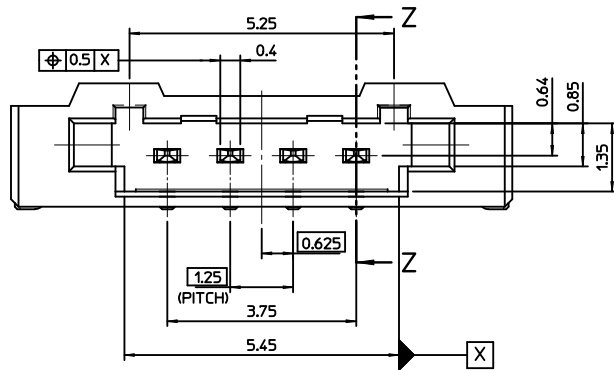
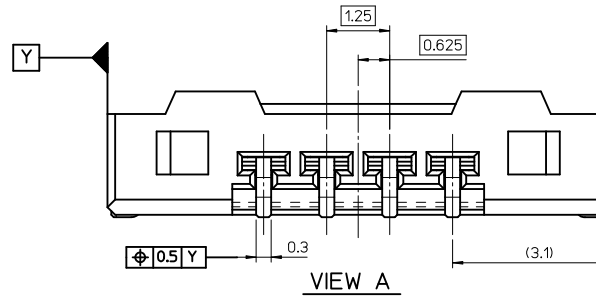
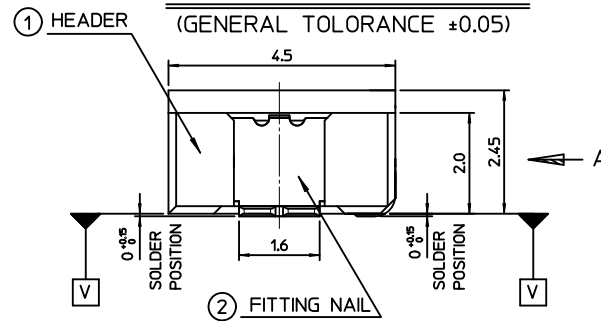


RECOMMEND PATTERN (REF.)
(GENERAL TOLERANCE ±0.05)



NOTE

- MATED WITH : 104085-0400, 104085-0410, 101085-0420
- MATERIALS
 - ① - HEADER : LCP(E130I), GLASS FILLED, UL94V-0, HALOGEN FREE, COLOR OF NATURAL
 - ② - FITTING NAIL : PHOSPHOR BRONZE, 0.2mm THICKNESS
 - ③ - CONTACT TERMINAL : PHOSPHOR BRONZE, 0.25mm THICKNESS
- FINISHES
 - ② - FITTING NAIL : PURE-TIN PLATING ON OVERALL.
THICKNESS 3.0µm-5.0µm
UNDER PLATING Ni OVERALL.
THICKNESS 1.25µm-3.75µm
 - ③ - CONTACT TERMINAL : PURE-TIN PLATING ON OVERALL.
THICKNESS 3.0µm-5.0µm
UNDER PLATING Ni OVERALL.
THICKNESS 1.25µm-3.75µm
- COPLANALITY OF SOLDER TAILS (PEAK TEMP. : 260°C), BEFORE & AFTER REFLOW : 0.08MAX

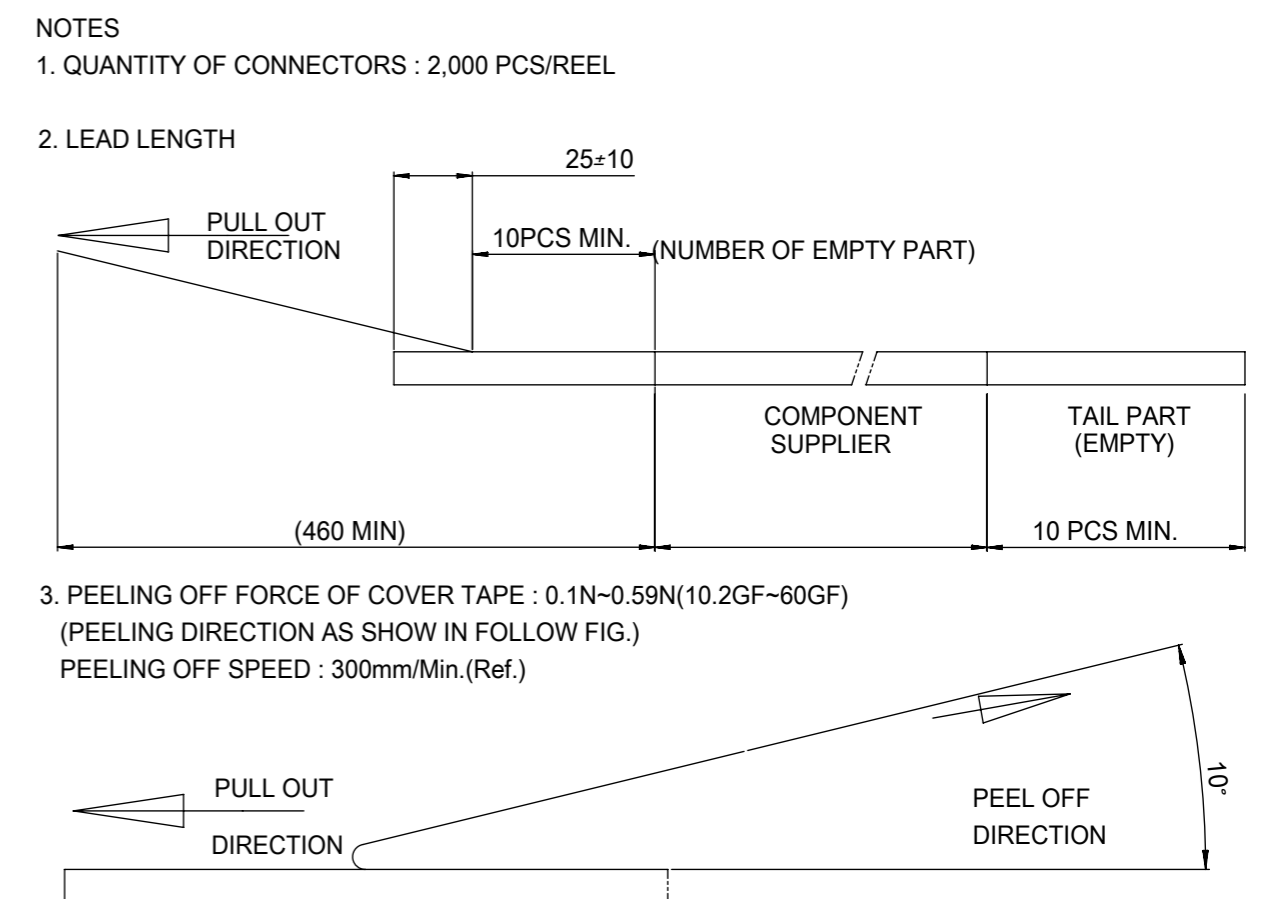
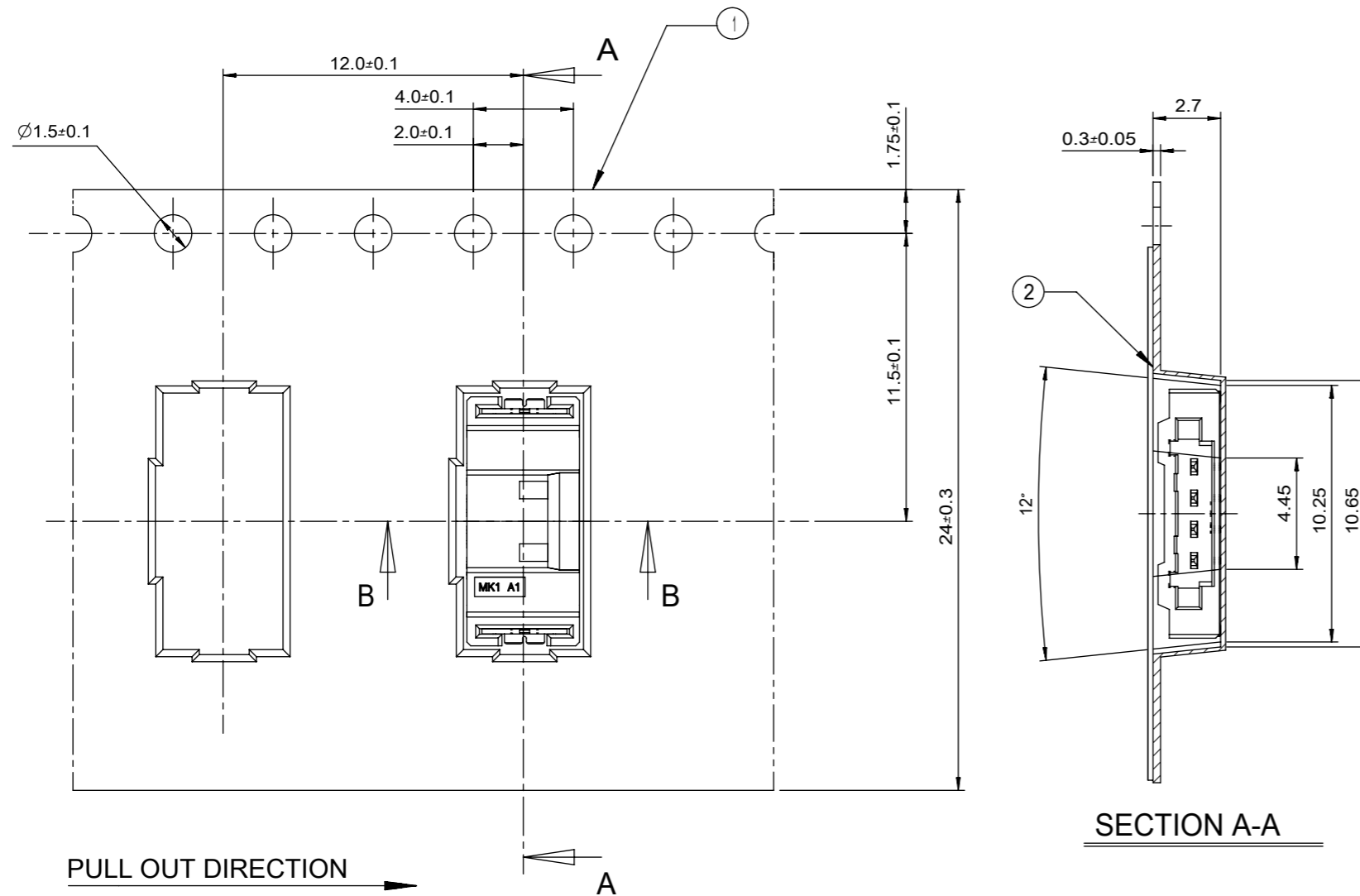
ORDER NUMBER	104086-0410
DESIGN UNITS	METRIC
THIRD ANGLE PROJECTION	

1.25 W-T-B CONN.
HEADER ASS'Y-4P

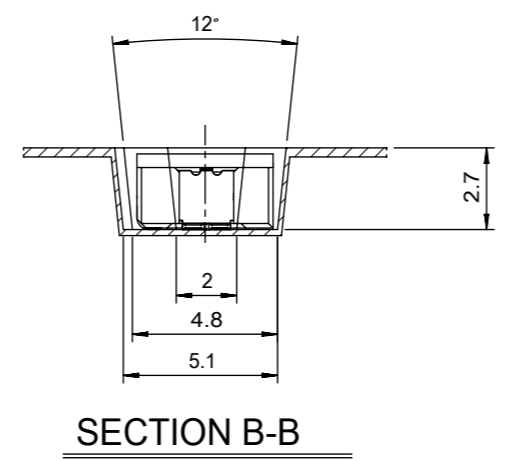
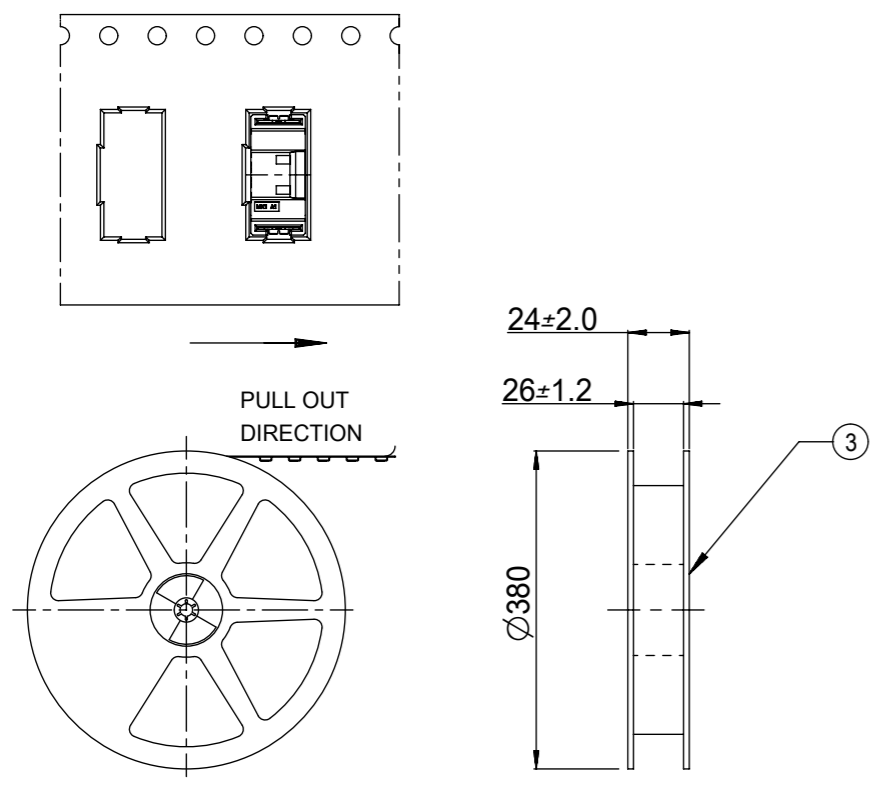
MOLEX INCORPORATED

DOCUMENT NO. SD-104086-001 SHEET NO. 1 OF 01

NEW RELEASED EC NO: KOR2011-0057 DRWN:CBCHN 2010/12/02 CHKD:SH-CHU 2010/12/02 APPR:YUNSIKKIM 2010/12/02	QUALITY SYMBOLS	GENERAL TOLERANCES (UNLESS SPECIFIED)	DIMENSION STYLE	SCALE	DESIGN UNITS	THIRD ANGLE PROJECTION
	DESCRIPTION	mm INCH	MM ONLY	10:1	METRIC	
	REV	4 PLACES ± --- ± ---	DRAWN BY	DATE	TITLE	
		3 PLACES ± --- ± ---	DATE			
	2 PLACES ± 0.20 ± ---	CHECKED BY	DATE			
	1 PLACE ± 0.25 ± ---	SH. CHU	2010/07/08			
	ANGULAR ± ---°	APPROVED BY	DATE			
		YSOO.KIM	2010/07/08			
		MATERIAL NO.				
		1040860410				
		DRAFT WHERE APPLICABLE MUST REMAIN WITHIN DIMENSIONS				
			SIZE	THIS DRAWING CONTAINS INFORMATION THAT IS PROPRIETARY TO MOLEX INCORPORATED AND SHOULD NOT BE USED WITHOUT WRITTEN PERMISSION		
			A3			



NO.	DESCRIPTION	MATERIAL	REMARK
3	PLASTIC BOBBIN	HI P.S	WHITE
2	COVER TAPE	PET ANTISTATIC	21.3m
1	CARRIER (EMBOSSD) TAPE	PET ANTISTATIC	



SYMBOLS		THIS DRAWING CONTAINS INFORMATION THAT IS PROPRIETARY TO MOLEX ELECTRONIC TECHNOLOGIES, LLC AND SHOULD NOT BE USED WITHOUT WRITTEN PERMISSION		CURRENT REV DESC:		molex		
▽ = 0	mm	SCALE	4:1	EC NO: 604036		1.25 W-T-B CONN		
▽ = 0	GENERAL TOLERANCES (UNLESS SPECIFIED)			DRWN: JSSHIN 2018/09/06		HEADER ASS'Y-4P EMBOSSD PACKAGE		
▽ = 0	ANGULAR TOL ± 3.0°			CHK'D: SHCHU 2018/09/06		PRODUCT CUSTOMER DRAWING		
▽ = 0	4 PLACES ±			APPR: SHCHU 2018/09/06		DOCUMENT NUMBER		
▽ = 0	3 PLACES ±			INITIAL REVISION:		SD-104086-002		
▽ = 0	2 PLACES ± 0.25			DRWN: CBCHIN 2010/12/02		DOC TYPE DOC PART REVISION		
▽ = 0	1 PLACE ± 0.25			APPR: YUNSIKKIM 2010/12/02		PSD 001 B1		
▽ = 0	0 PLACES ±			DRAFT WHERE APPLICABLE MUST REMAIN WITHIN DIMENSIONS		MATERIAL NUMBER		
▽ = 0	THIRD ANGLE PROJECTION			DRAWING		CUSTOMER		
▽ = 0	A3-SIZE			SERIES		SHEET NUMBER		
		104086		1040860410		GENERAL MARKET		1 OF 1