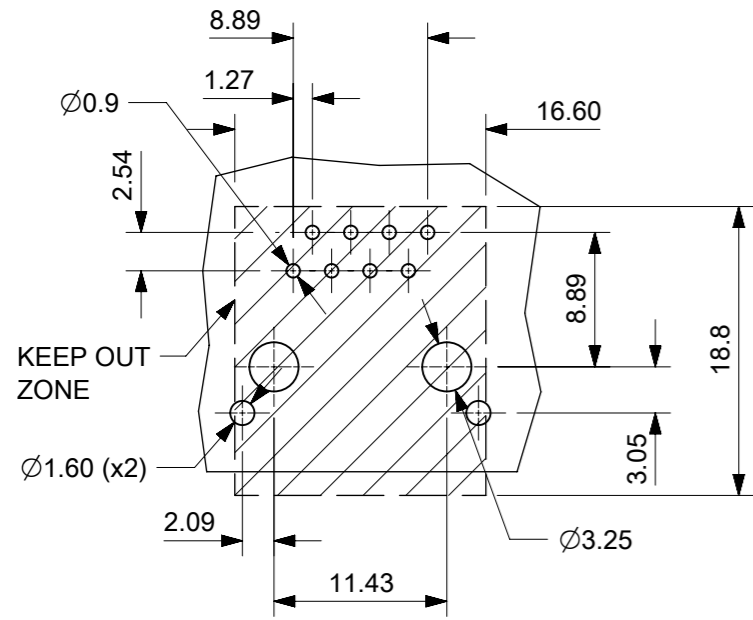
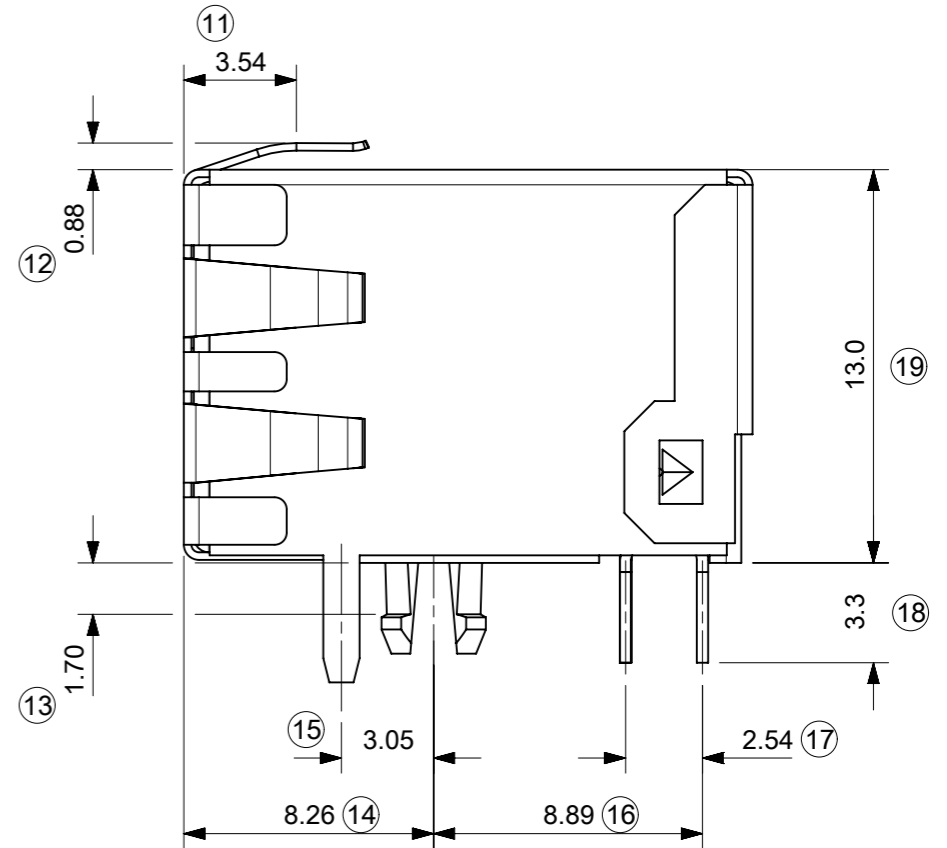
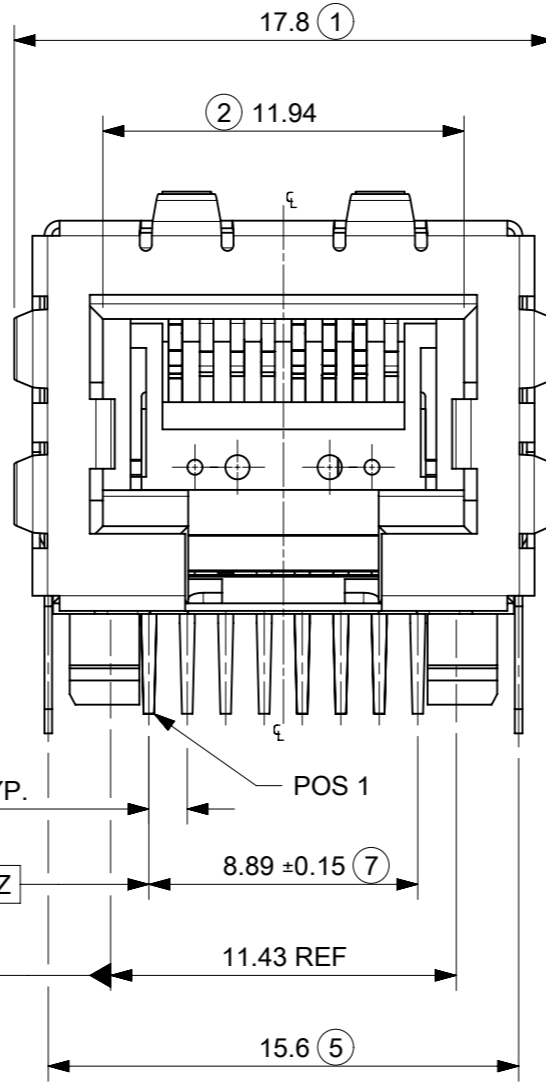
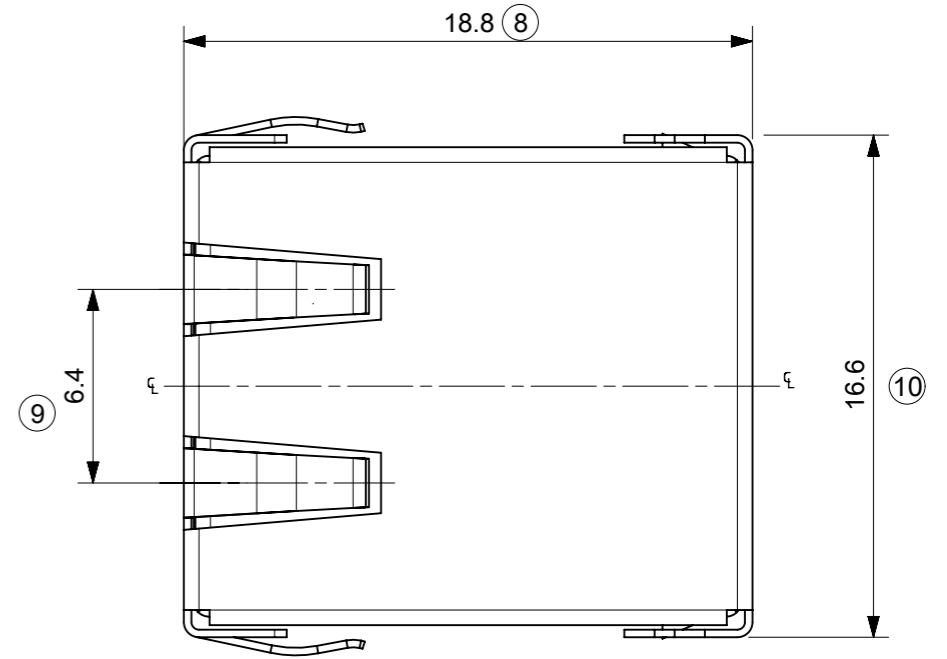
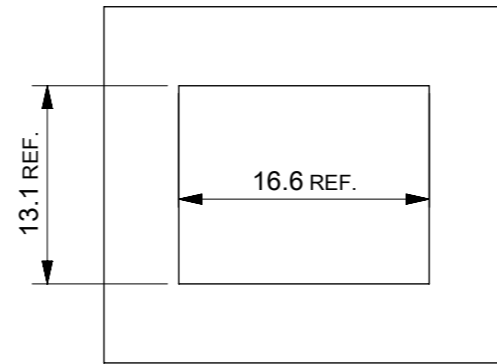


PART NO.	PLATING
85543-7003	7



RECOMMENDED P.C.B. LAYOUT
VIEW FROM COMPONENT SIDE
ALL DIMENSIONS REF DIMENSIONS

SUGGESTED PANEL CUT - OUT



NOTES:

- JACK FOR MATING WITH SHIELDED RJ45 PLUG (MOLEX 95043 SERIES)
- PRODUCT SPECIFICATION: PS-85543-002
- PACKAGING SPECIFICATION: PK-85542-003
- P.C.B. BOARD THICKNESS: 1.57

LAST INSPECTION NO.: 19
REMOVED INSPECTION NO: 6

TECHNICAL SPECIFICATION:
MATERIAL:

HOUSING: LCP GLASS FILLED UL94V-0, COLOUR BLACK
TERMINAL: PHOSPHOR BRONZE PLATED WITH:
PLATING 7: POST PLATE 0.00005 MIN GOLD FLASH OVER
0.00060 MIN PALLADIUM-NICKEL IN CONTACT AREA
0.00190 MIN PURE TIN IN TAIL AREA
BOTH OVER 0.00127 MIN NICKEL OVERALL
SHIELD: BRASS PLATED WITH 0.0020 MIN TIN

THIS DRAWING CONTAINS INFORMATION THAT IS PROPRIETARY TO MOLEX ELECTRONIC TECHNOLOGIES, LLC AND SHOULD NOT BE USED WITHOUT WRITTEN PERMISSION		CURRENT REV DESC: ADDED PANEL OPENING			
DIMENSION UNITS	SCALE	EC NO: 741527			
mm	4:1	DRWN: DBYRNES 2023/03/08		PRODUCT CUSTOMER DRAWING	
GENERAL TOLERANCES (UNLESS SPECIFIED)		CHK'D: KLANG 2023/03/08		DOCUMENT NUMBER	
ANGULAR TOL ± 2.0°		APPR: KLANG 2023/03/08		SD-85543-503	
4 PLACES ±	EC NO: 741527	INITIAL REVISION:		DOC TYPE	DOC PART
3 PLACES ±	DRWN: DBYRNES 2023/03/08	DRWN: DBYRNES 2006/09/05		PSD	001
2 PLACES ± 0.25	APPR: KLANG 2023/03/08	APPR: EOMAHONY 2006/09/06		REVISION	C2
1 PLACE ± 0.35	DRAFT WHERE APPLICABLE MUST REMAIN WITHIN DIMENSIONS		THIRD ANGLE PROJECTION	MATERIAL NUMBER	CUSTOMER
0 PLACES ±	A3-SIZE		SERIES	SEE CHART	GENERAL MARKET
SHEET NUMBER		85543		1 OF 1	