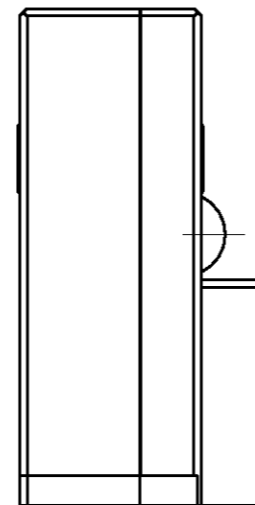
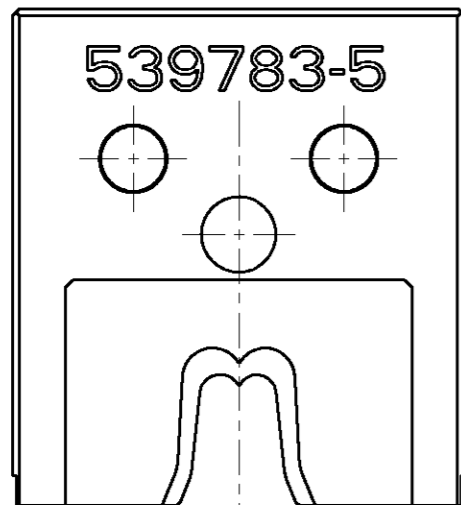


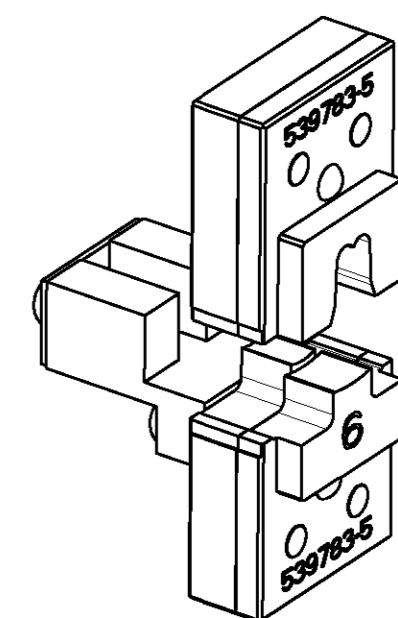
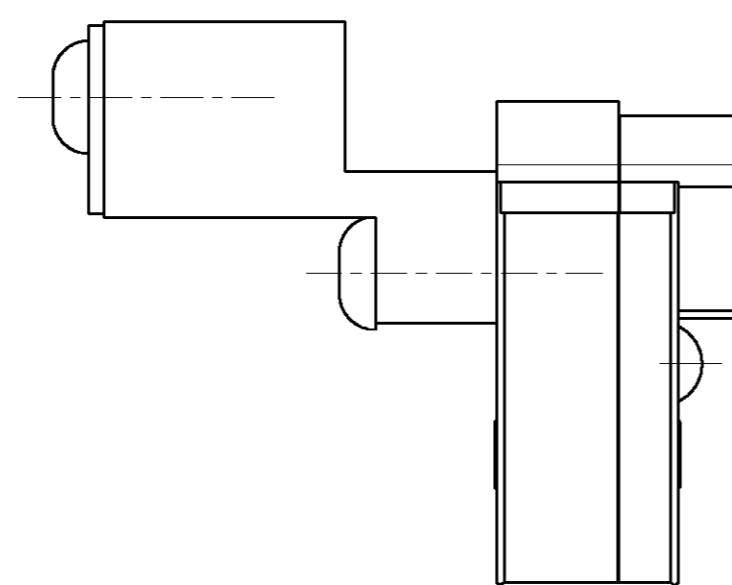
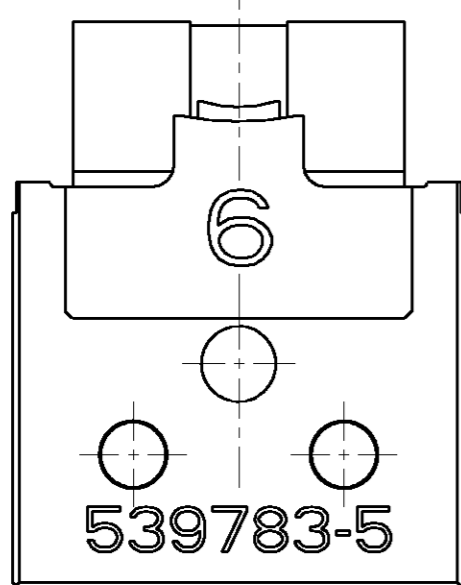
THIS DRAWING IS UNPUBLISHED. RELEASED FOR PUBLICATION 2005
 © COPYRIGHT 2005 BY TYCO ELECTRONICS CORPORATION. ALL RIGHTS RESERVED.

| LOC | DIST | REVISIONS | | | | | |
|-----|------|-----------|-----|-------------|------|-----|------|
| A1 | - | P | LTR | DESCRIPTION | DATE | DWN | APVD |
| | | - | - | | | | |
| | | | | | | | |
| | | | | | | | |



DIE SET FOR MCP 9.5 mm

Use this die set with hydraulic hand tool PN 539783-1



| Kontakt | AWG (mm ²) | Drahtcrimp / Wire Crimp | Isolationscrimp/Insulationcrimp | Isol.Ømm | Betriebsant. | | |
|---------|------------------------|-------------------------|---------------------------------|-----------------|-----------------|-----------|-------------|
| Contact | Wire Range | Hoehe/Height mm | Breite/Width mm | Hoehe/Height mm | Breite/Width mm | Ins.Range | Instr.Sheet |
| 929150 | 6 | 3.22 ±0,05 | 5.08 F | ----- | 7,6 F | 4,6-6,6 | ----- |

Weight: 200 g

| | | | | | | | | | |
|---|--|--|-----------|-----------------------------------|-----------------------|--|--------------------|--------------------------|--------------------|
| <small>THIS DRAWING IS A CONTROLLED DOCUMENT FOR TYCO ELECTRONICS CORPORATION IT IS SUBJECT TO CHANGE AND THE CONTROLLING ENGINEERING ORGANIZATION SHOULD BE CONTACTED FOR THE LATEST REVISION.</small> | | DWN Ch.Witt | 31JAN2006 | tyco Electronics | | tyco Electronics AMP GmbH D - 64625 Bensheim | | | |
| DIMENSIONS: mm | | TOLERANCES UNLESS OTHERWISE SPECIFIED: 0 PLC ± 1 PLC ± 2 PLC ± 3 PLC ± 4 PLC ± ANGLES ±° | | CHK - | APVD - | NAME DIE SET FOR MCP 9.5 / 6 mm ² Matrizie fuer MCP 9.5 / 6 mm ² | | | |
| MATERIAL - | | FINISH - | | PRODUCT SPEC - | APPLICATION SPEC - | SIZE A3 | CAGE CODE 00779 | DRAWING NO C=539783-5 | RESTRICTED TO - |
| CUSTOMER DRAWING | | | | WEIGHT - | SCALE 2:1 | SHEET 1 | OF 1 | REV A | |