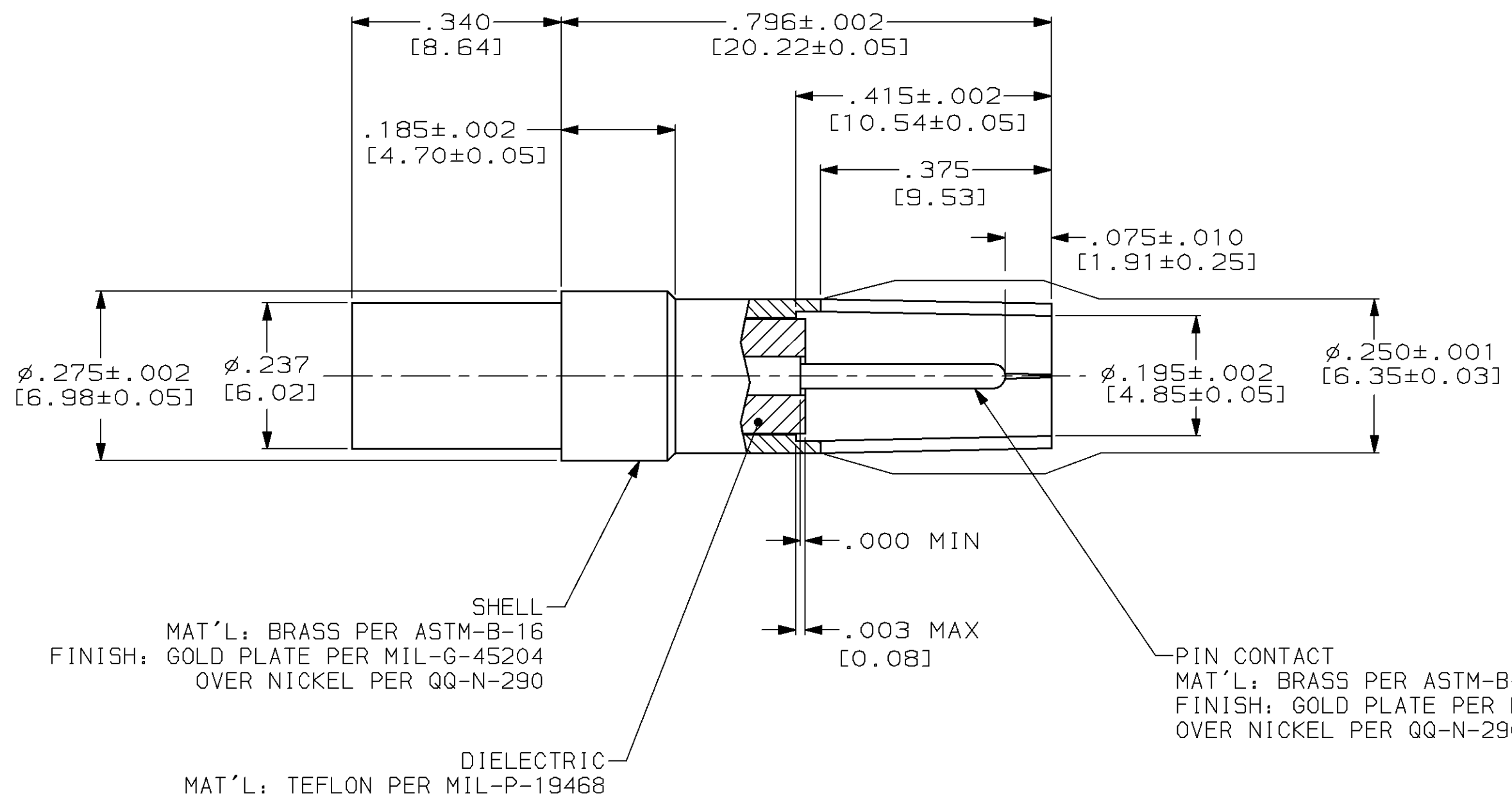
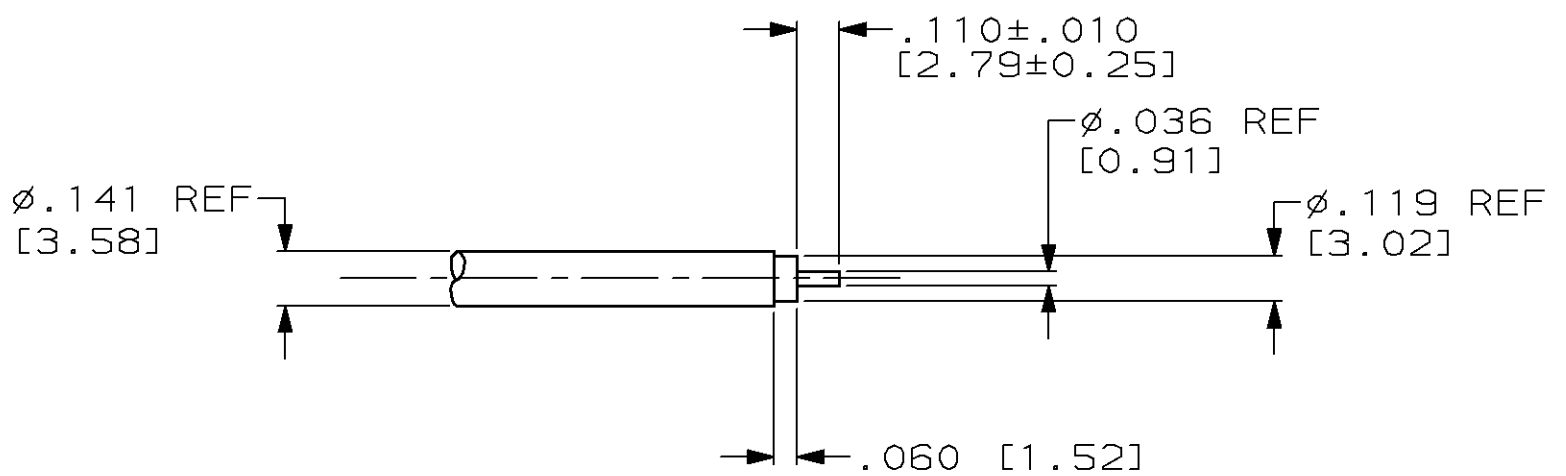


PROD CODE	LOC	DIST	P	F	ZONE	LTR	DESCRIPTION	DATE	APPD
3321	DF	XO				B	REV PER 0600-6086-96 CT	11-97	JW



1. FOR USE WITH RG-402, .141 SEMI-RIGID CABLE
2. CABLE CRIMP: USE MILITARY TOOL M22520/5-01, WITH DIE SET M22520/5-11, CAVITY A OR EQUIVALENT
3. CENTER CONTACT CRIMP: USE MILITARY TOOL M22520/2-01, WITH DANIELS POSITIONER K345, SELECTOR SETTING #5



RECOMMENDED STRIP LENGTH  
 SCALE 2:1

DO NOT SCALE PRINT. UNLESS SPECIFIED DIMENSIONS IN INCHES [mm] TOLERANCES ON : 2 PLC DEC ± - 3 PLC DEC ± .005 [0.13] ANGLES ± -	DR 7-14-92 C.C. THOMAS	AMP Incorporated Harrisburg, PA 17105-3608		
	CHK 7-20-92 J. CABARLO			
MATERIAL -	APPD 7-20-92 J. CABARLO	NAME <b>COAXIAL CONTACT, SOCKET, SIZE 9</b>		
FINISH -	APPD 7-20-92 C.C. THOMAS	SIZE C	CAGE CODE 00779	DRAWING NO 447853
	PRODUCT SPEC -	SCALE 5:1		SHEET 1 OF 1
	APPLICATION SPEC -			
	WEIGHT -			

447853-3  
 PART NO.