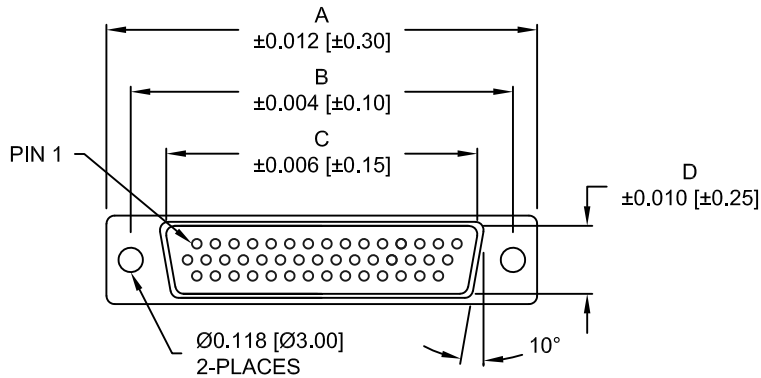


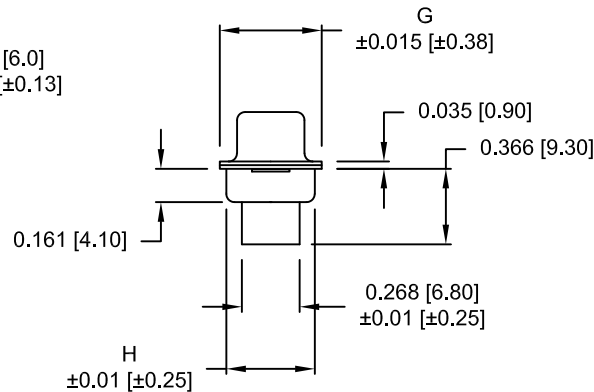
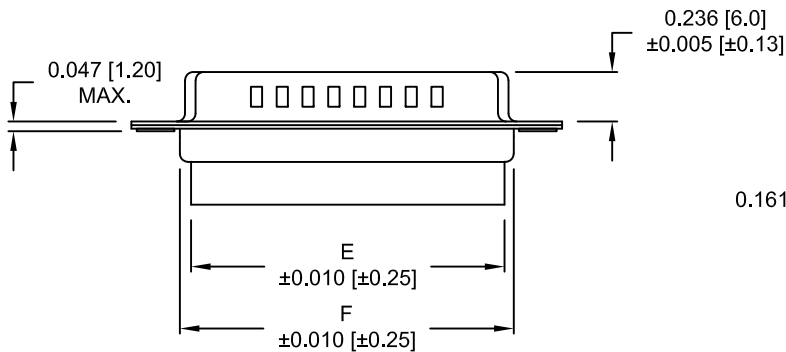
DESCRIPTION: MALE - CRIMP AND LOAD

DIMENSIONS

No. OF PINS	A	B	C	D	E	F	G	H
15	1.213	0.984	0.666	0.325	0.610	0.759	0.494	0.421
	30.81	24.99	16.92	8.25	15.50	19.28	12.55	10.70
26	1.541	1.312	0.994	0.325	0.964	1.083	0.494	0.421
	39.14	33.32	25.25	8.25	24.50	27.51	12.55	10.70
44	2.088	1.852	1.534	0.325	1.494	1.625	0.494	0.421
	53.04	47.04	38.96	8.25	37.95	41.28	12.55	10.70
62	2.729	2.500	2.182	0.319	2.142	2.272	0.494	0.421
	69.32	63.50	55.42	8.1	54.40	57.71	12.55	10.70
78	2.638	2.406	2.079	0.445	2.043	2.169	0.606	0.526
	67.00	61.10	52.80	11.30	51.90	55.10	15.40	13.35



4 ROWS



180-YYY-17YLYY0

- SERIES
- POSITIONS
- 015
- 026
- 044
- 062
- 078
- GENDER
- 1 = MALE
- TERMINATION
- 7 = CRIMP & LOAD
- SHELL PLATING
- 2 = TIN (GROUND INDENTS)
- 3 = NICKEL (GROUND INDENTS)
- RoHS COMPLIANT (230°C)
- HARDWARE OPTIONS
- 00 = NO HARDWARE
- 01 = .157" CLINCH NUT (BOARD SIDE)
- 02 = .236" CLINCH NUT (BOARD SIDE)
- 03 = .236" CLINCH NUT (MATING SIDE)
- PLATING OPTIONS
- 0 = NO CONTACTS

MATERIAL:

- SHELL: STEEL, TIN OR NICKEL PLATED
- INSULATOR: PBT, UL 94V-O RATED, +30% FIBER-GLASS OR NYLON-66
- CONTACT: BRASS, GOLD PLATED OVER NICKEL

ELECTRICAL:

- CURRENT RATING: 3 AMPS
- CONTACT RESISTANCE: 15 mOhms Max.
- INSULATION RESISTANCE: 1,000 MOhms min.
- VOLTAGE: 500VAC FOR 1 MINUTE
- TEMPERATURE: -50° C TO 100° C

DO NOT SCALE FROM DRAWING

RoHS COMPLIANT

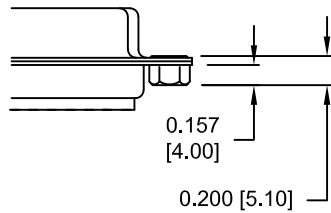
	THESE DRAWINGS AND SPECIFICATIONS ARE THE PROPERTY OF NorComp AND SHALL NOT BE REPRODUCED, COPIED OR USED AS THE BASIS FOR THE MANUFACTURE OF SALE OF APPARATUS WITHOUT WRITTEN PERMISSION.		DRAWN: J KADEL	DATE: 07-16-18
	<h1>NorComp</h1>		SCALE: NTS	SHEET 1 OF 2
			DWG NO. 180-YYY-17YLYY0	

DESCRIPTION: CLINCH NUT HARDWARE

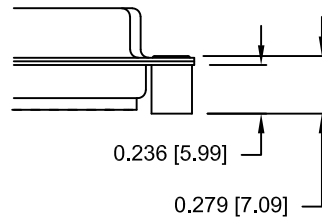
ALL CLINCH-NUTS ARE 4-40 INTERNAL THREADS

TOLERANCE:
ALL DIMENSIONS ARE ± 0.010

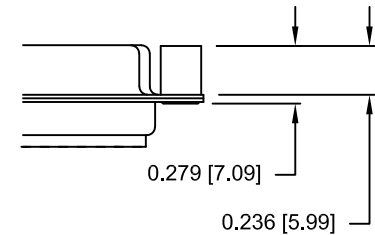
01X 0.157" (BOARD SIDE)



02X 0.236" (BOARD SIDE)



03X..... 0.236" (MATING SIDE)



DO NOT SCALE FROM DRAWING



THESE DRAWINGS AND SPECIFICATIONS ARE THE PROPERTY OF NorComp AND SHALL NOT BE REPRODUCED, COPIED OR USED AS THE BASIS FOR THE MANUFACTURE OF SALE OF APPARATUS WITHOUT WRITTEN PERMISSION.

DRAWN:
J KADEL

DATE:
07-16-18

NorComp

SCALE: NTS SHEET 2 OF 2 REV 19

DWG NO. 180-YYY-17YLYY0

RoHS COMPLIANT